

SFQ

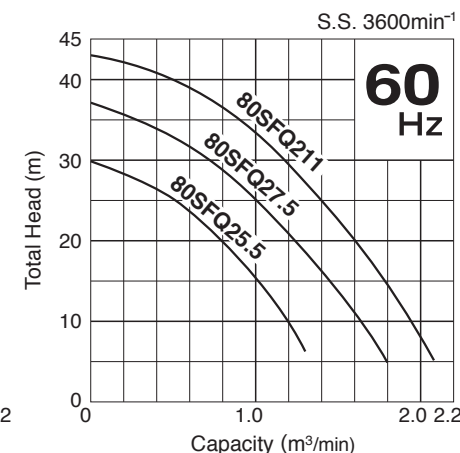
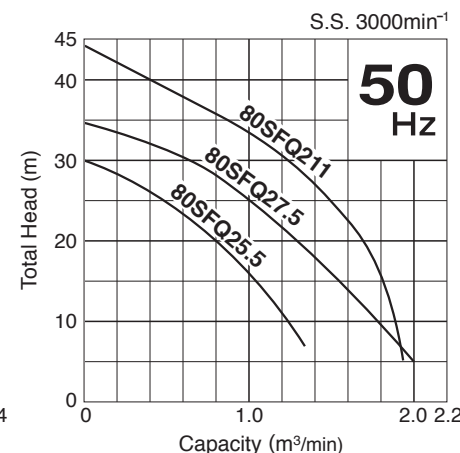
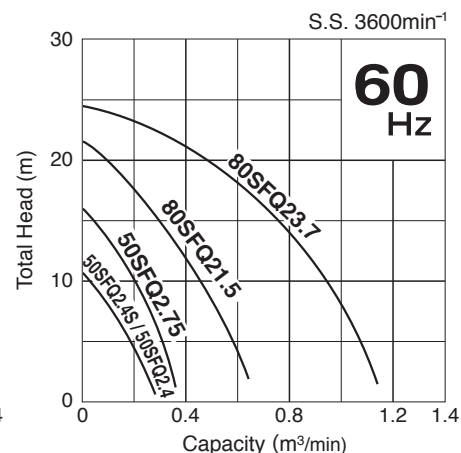
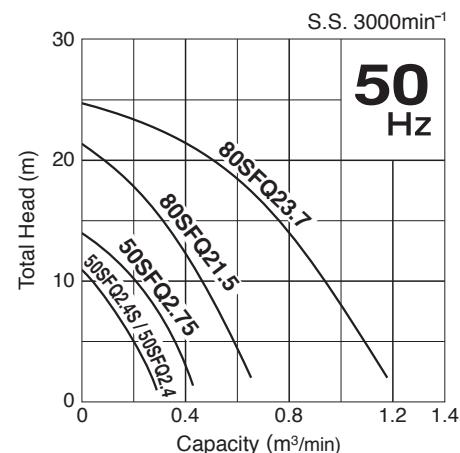
The SFQ-series is made of austenitic cast stainless steel, ideal for draining corrosive liquid in chemical plant or other industrial plant. The pump is a highly specialist pump in term of design and materials.



Free Standing

Guide Rail Fitting

Performance Curves



Major Standard Specifications

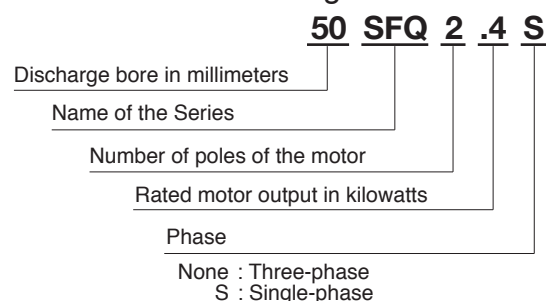
Discharge Bore		mm	50	80
Pumping Fluid	Type of Fluid	Chemical Wastewater		
	Fluid Temperature	0 to 40°C		
Pump	Structure	Impeller	Semi-open Impeller	
		Shaft Seal	Double Mechanical Seal with Oil Lifter	
	Materials	Bearing	Double-shielded Ball Bearing	
		Impeller	316 Stainless Steel Casting	
		Casing	316 Stainless Steel Casting	
Motor	Suction Cover	316 Stainless Steel Casting		
	Shaft Seal	SiC		
Motor	Type, Pole	Dry Type Submersible Induction Motor 2-pole		
	Class of Insulation	Class E (0.75kW and below) Class F (1.5kW and above)		
	Phase	Single-phase (suffix "S") Three-phase		
	Starting Method	Capacitor Start (single-phase only) Direct on Line Star-delta (11kW only)		
	Protection Device (built-in)	Circle Thermal Protector Miniature Thermal Protector (11kW only)		
	Lubricant	Turbine Oil (ISO VG32)		
	Materials	Frame	316 Stainless Steel Casting	
		Shaft	316 Stainless Steel	
		Cable	PVC (3.7kW and below) Chloroprene Rubber (5.5kW and above)	
	Discharge Connection		Screwed Flange (3.7kW and below) JIS 10K Flange (5.5kW and above)	

Standard Specifications

Discharge Bore mm	Model		Motor Output kW	Starting Method	Speed (S.S.) 50Hz/60Hz min ⁻¹	Impeller Passage 50Hz/60Hz mm	Dry Weight * kgs		No. of Cables	Cable Type				Length m	Material		
	Free Standing	Guide Rail Fitting					Free Standing	Guide Rail Fitting		200 ~ 240 V		380 ~ 575 V					
50	50SFQ2.4S	—	0.4	Capacitor	3000/3600	6	22	—	1	110 ~ 120 V 3 × 1.25		10.1	220 ~ 240 V 3 × 1.25		10.1	5	PVC
50	50SFQ2.4	—	0.4	D.O.L.	3000/3600	6	20	—	1	4 × 1.25		11.1	4 × 1.25		11.1	6	PVC
50	50SFQ2.75	—	0.75	D.O.L.	3000/3600	6	22	—	1	4 × 1.25		11.1	4 × 1.25		11.1	6	PVC
80	80SFQ21.5	—	1.5	D.O.L.	3000/3600	6	38	—	1	4 × 1.25		11.1	4 × 1.25		11.1	6	PVC
80	80SFQ23.7	—	3.7	D.O.L.	3000/3600	15	52	—	1	4 × 3.5		13.9	4 × 2.0		11.8	6	PVC
80	80SFQ25.5	TOS80SFQ25.5	5.5	D.O.L.	3000/3600	18	124	113	1	4 × 3.5		14.1	4 × 3.5		14.1	8	Chloroprene Rubber
80	80SFQ27.5	TOS80SFQ27.5	7.5	D.O.L.	3000/3600	23/20	123	112	1	4 × 5.5		16.8	4 × 5.5		16.8	8	Chloroprene Rubber
80	80SFQ211	TOS80SFQ211	11	Star-Delta	3000/3600	23	143	132	3	4 × 3.5		14.1	4 × 3.5		14.1	8	Chloroprene Rubber
										3 × 3.5		12.9	3 × 3.5		12.9		
										2 × 1.25		9.8	2 × 1.25		9.8		

* Dry weight
All weights excluding cable
Weights of guide rail fitting excluding duckfoot bend

Model Number Designation



Standard Accessories

Free Standing

- Screwed Flange -3.7kW and below
- JIS 10kg/cm² Flange (with Packing, Bolts & Nuts) -5.5kW and above

Guide Rail Fitting - TOS

- Lifting Chain 5m, (with Shackles)
- Guide Support (with Bolts & Nuts)
- Guide Hook (with Bolts)
- Duckfoot Bend
- Guide Connector (with Bolts)
- JIS 10kg/cm² Flange (with Packing, Bolts & Nuts)
- Foundation Bolts (with Nuts)

Applications

- Draining wastewater from chemical plant, plastic plant, etc
- Draining effluent from hospital and laboratory, etc