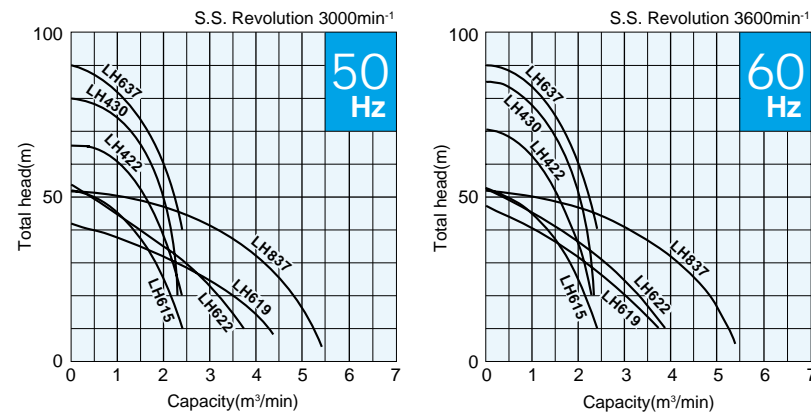


For deep-well pre-dewatering or high-head dewatering in civil engineering and construction works.

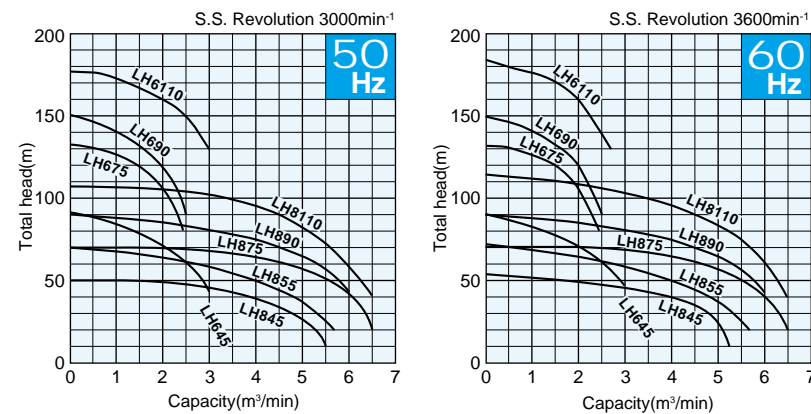


Performance Curves

15kW~37kW



45kW~110kW



Major Standard Specifications

Item	Discharge size mm				
	100	150	200		
Pumping fluid	Type of fluid	Rain water, Ground water, Sand laden water			
	Liquid temperature	0~40°C			
Pump	Components	Impeller	Closed type		
		Shaft seal	Double mechanical seal Water pressure endurance		
		Bearing	Shielded ball bearing		
	Materials	Impeller	Chromium iron casting		
		Casing	Gray iron casting		
		Mouth ring	Chromium iron casting		
	Shaft seal (mechanical seal)	Silicon carbide			
Motor	Type, poles	Dry-type submersible induction motor, 2 poles			
	Insulation	Class B (15~22kW), Class F (30~110kW)			
	Phase / Voltage	Three-phase / 220V, 380V, 400V, 415V, 440V, 460V, 525V, 575V			
	Motor protector(built-in)	Circle thermal protector (15~22kW), Miniature protector (30kW or over)			
	Leakage sensor(built-in)	Electrode type (55kW or over)			
	Lubricant	Turbine oil (ISO VG32)			
	Materials	Frame	Gray iron casting		
Shaft		Stainless steel #420			
Cable		Chloroprene rubber			
Discharge connection	JIS10K Flange JIS20K Flange				

Standard Accessories

- Cabtyre cable 1 pc (2 pcs for 90 kW version or up)
- Discharge pipe 1 pc (on JIS10K flange specs; accompanying 422, 430, 615, 619, 622, 637, 645, 837, 845, 855, 875, 890 and 8110 types)
- Discharge pipe 1 pc (on JIS20K flange specs; accompanying 675, 690 and 6110 types)
- Electrode-type leakage sensor 1 set (55 kW or over)
- Cathodic protection anodes

Optional Specifications

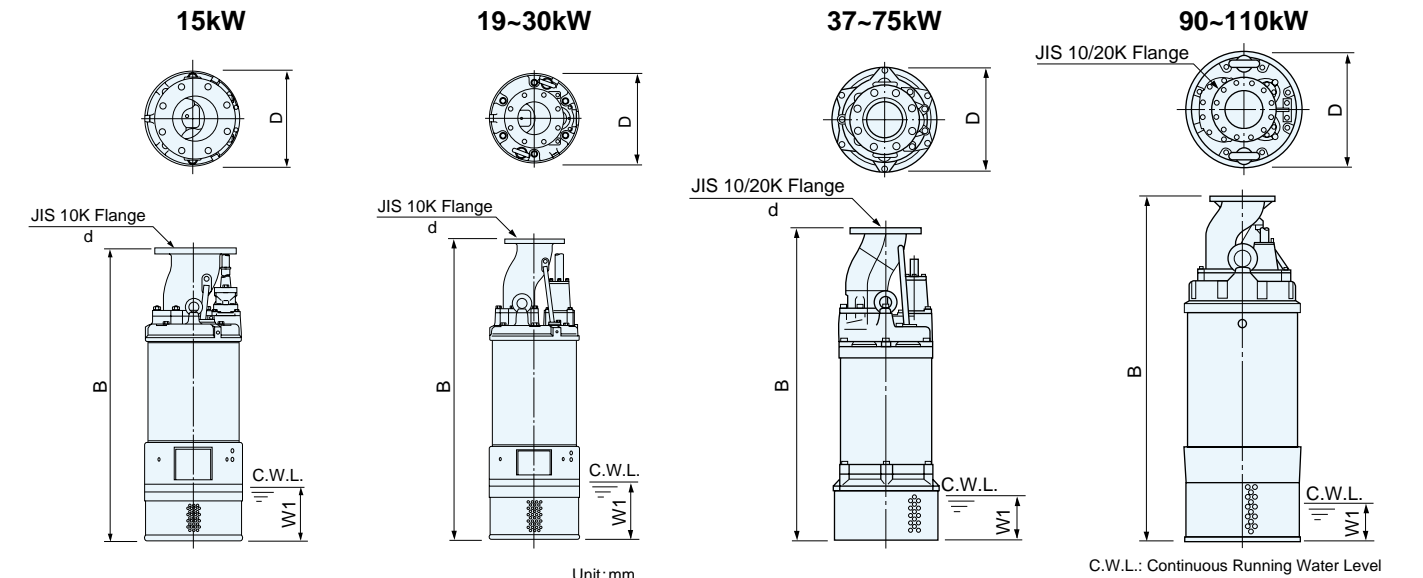
- Extended cable
- Special paint

Specifications 50/60Hz

Discharge Bore mm	Model	Motor Output kW	Phase	Total Head m	Capacity m³/min	Starting Method	Dry Weight kgs	Length of Cabtyre Cable m
100	LH422	22	Three-phase	60	1.0	D.O.L.	350	10
100	LH430	30	Three-phase	70/50	1.0/2.0	Star-Delta	355	10
150	LH615	15	Three-phase	35/25	1.5/2.0	D.O.L.	213	10
150	LH619	19	Three-phase	30	2.0	D.O.L.	350	10
150	LH622	22	Three-phase	35	2.0	D.O.L.	360	10
150	LH637	37	Three-phase	80/60	1.0/2.0	Star-Delta	495	10
150	LH645	45	Three-phase	80/60	1.4/2.5	Star-Delta	510	10
150	LH675	75	Three-phase	120	1.5	Star-Delta	865	10
150	LH690	90	Three-phase	120	2.0	Star-Delta	1100	20
150	LH6110	110	Three-phase	160	2.0	Star-Delta	1200	20
200	LH837	37	Three-phase	35	3.6	Star-Delta	495	10
200	LH845	45	Three-phase	35	4.5	Star-Delta	510	10
200	LH855	55	Three-phase	50	4.0	Star-Delta	810	10
200	LH875	75	Three-phase	60	4.5	Star-Delta	865	10
200	LH890	90	Three-phase	70	4.5	Star-Delta	1150	20
200	LH8110	110	Three-phase	90	4.5	Star-Delta	1250	20

•Dry weight of the pump excluding cable.

Dimensions



Model	d	B	D	W1
LH422	100	1352	420	250
LH430	100	1352	420	250
LH615	150	1014	330	185
LH619	150	1423	420	270
LH622	150	1423	420	270
LH637	150	1448	530	180
LH645	150	1448	530	180
LH675	150	1676	550	200
LH690	150	1787	592	200
LH6110	150	1787	592	200
LH837	200	1488	530	180
LH845	200	1488	530	180
LH855	200	1716	550	200
LH875	200	1716	550	200
LH890	200	1787	592	200
LH8110	200	1787	592	200