



Model Numbers: **QP60TD**

AUSSIE QUICK PRIME PUMPS



Product Description:

Engineered to meet the requirements of professional contractors, rugged and dependable, these diesel powered trash pumps are ideal for de-watering applications with high solid content.

Trailer mounted to give the convenience of mobility, pump can be moved anywhere on site.

Applications:

- De-watering of construction sites
- Tailing dam pump out
- Public works duties
- Slurry pumping
- Flood mitigation
- Mine/dewatering operations

Features

- 5 year pump warranty
- Huge 3,850 litres per minute flow with 6" suction and discharge ports
- Maximum head of 27 metres or 39 psi
- Self priming from a depth of 7.6m
- Reliable low maintenance Mitsubishi S3L water cooled, three cylinder diesel engine with electric start
- Built in safety shutdown for low oil pressure and oil temperature
- Oil lubricated tungsten titanium carbide seals standard
- Wear resistant volute and impeller ensures minimal clogging and can handle solids up to 50mm (2") in diameter
- Easy clean-out port can be removed in seconds
- Replaceable 6" suction and discharge ports
- Open, multi-vane type impeller dynamically and statically balanced
- Heavy duty trailer with tow end jack stand
- Strainer included to prevent entry of oversized solids
- All pump hardware is corrosion resistant and all interior water passages are obstruction free

Benefits

- Great quality ... use with confidence
- Fast de-watering for even large scale jobs
- Makes it ideal for de-watering duties even over distance
- Quick and easy to set up pump ready for work
- Loads of power, readily available parts and service
- Protection for both the operator and the pump
- Extended seal life, cuts maintenance costs
- Suits pumping solid laden liquids, i.e. site de-watering
- Blockages can be cleared without removing connected pipes and without special tools
- Easy replacement if threads damaged and easy access to check valve
- Ability to pass solids in suspension with abrasion resistance and long life
- Simplifies transportation on site and levelling of pump
- Prevents clogging and subsequent maintenance
- Extends pump life

Specifications:

Model	Engine	Type	Max Head (m)	Max Flow (lpm)	Suction Port	Discharge Port	Self primes to (m)	Weight kg	RPM
QP60TD	Mitsubishi S3L	24HP Diesel Electric Start	27	3,850	6"	6"	7.6	530	3000



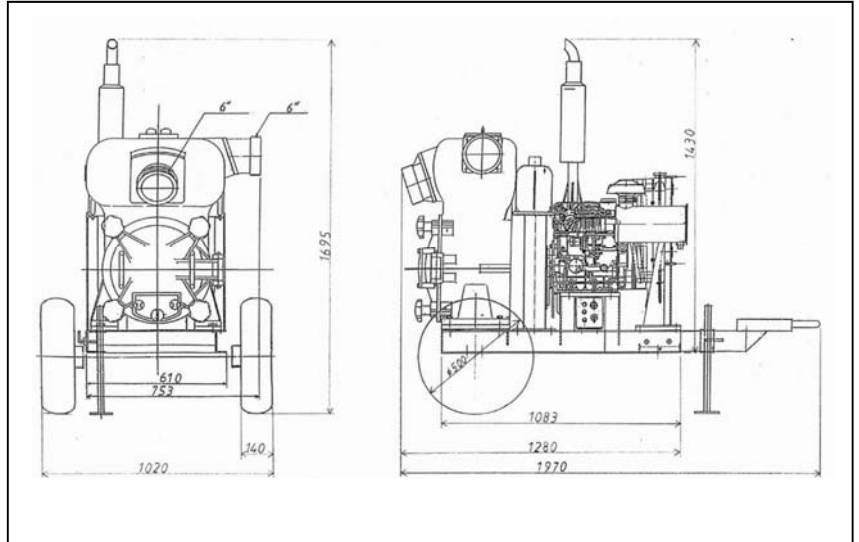


Model Numbers: **QP60TD**

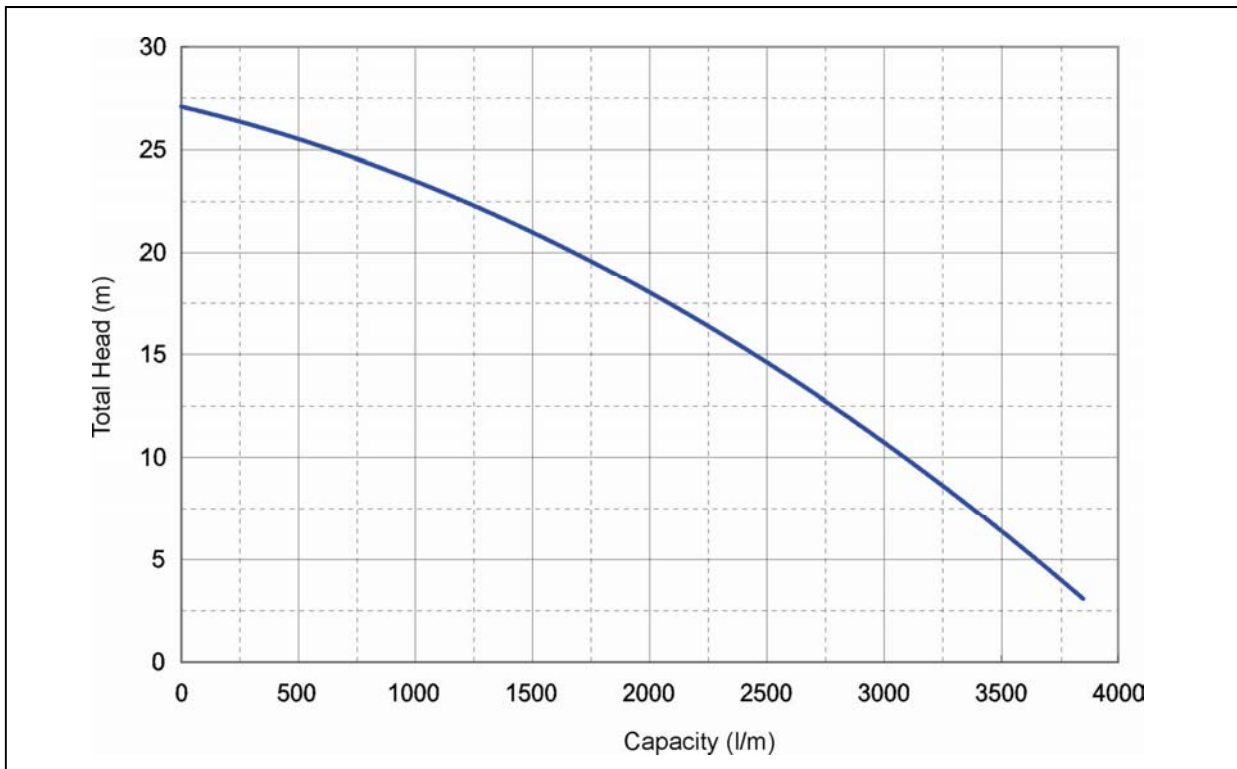
Construction:

Front case	30 grey iron
Impeller	SG cast iron
Volute	SG cast iron
Back plate	30 grey iron
Mechanical seal	oil lubricated tungsten titanium carbide
Outlet	30 grey iron
Casing bolts	high tensile steel
Yoke bolts	high tensile steel
Check valve	moulded neoprene with steel reinforcement
Priming & drain plugs	steel
Casing, priming & drain plug o-ring	rubber compound

Dimensions:



Performance Curve



Five Year Warranty:



Aussie Quik Prime pumps carry a unique pump end five year warranty. The products are guaranteed to be free of faulty workmanship or material for a period of five years after the date of sale to the end user.

Only top quality genuine brand engines by reputable Japanese manufacturers are used. A two year engine manufacturer's warranty applies, administered by the engine manufacturer or it's duly appointed representative. All engines used by Australian Pump Industries are major international brands, serviced and supported not only in Australia and South Pacific but right throughout the world.

