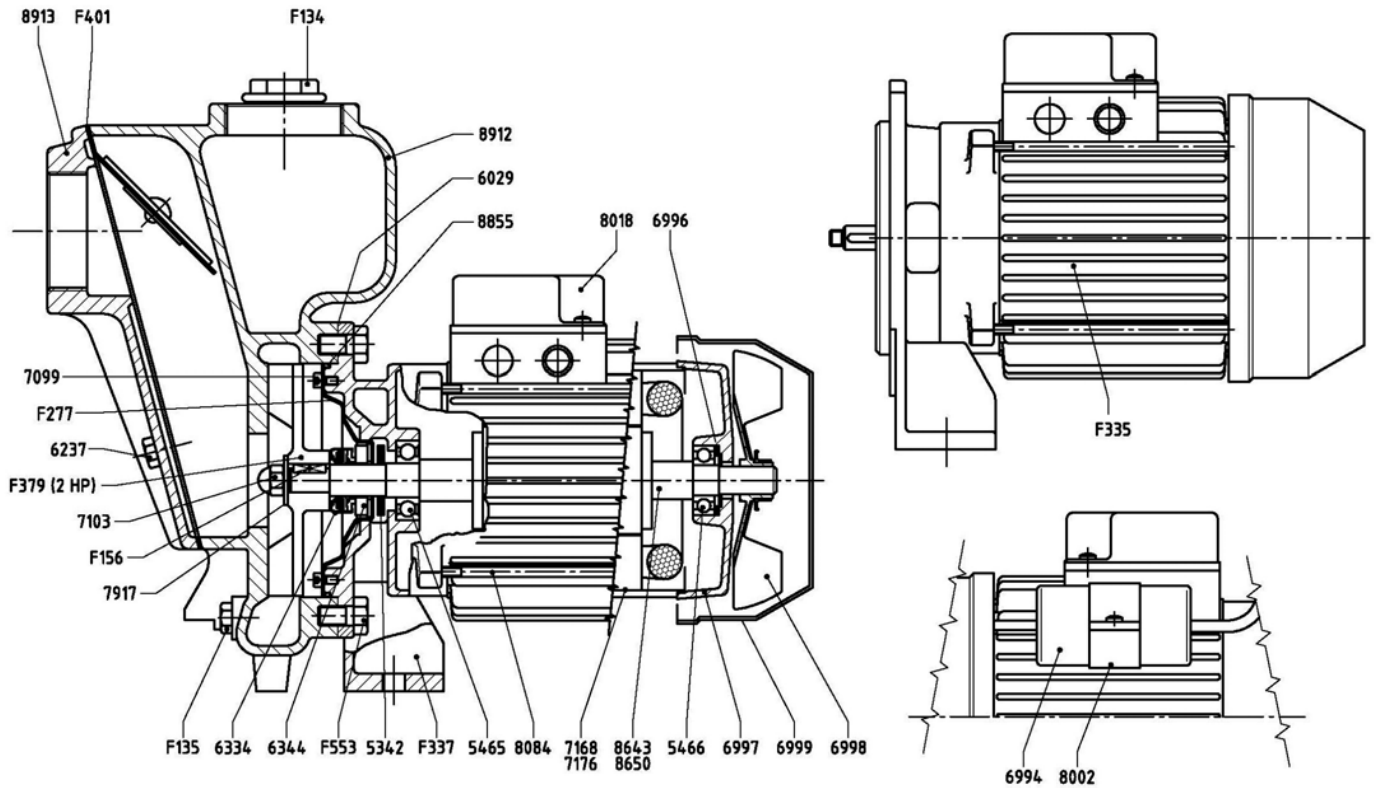




AUSSIE SPARES DIAGRAM & PARTS LIST

AUSSIE GMP PUMPS: B2KQ-A/B WITH 2HP ELECTRIC MOTOR
CAT EAS9



Part Number	Qty	Description	Retail price
5342	1	Rubber Gasket 16x35x3	\$2
5442	1	S/Steel OEB Screw M6x15	\$5
5480	2	Flex. Gasket B 2618	\$8
6029	1	Flex. Gasket B 2618	\$8
6101	1	Check Valve 2616/2	\$26
6237	6	Hex. Head Screw M10x20	\$5
6334	1	Mech. Seal 16-32-13	\$31
6344	1	Counterface 18-38-8	\$31
7099	4	OEB Screw M 4x10	\$2
7103	1	Brass Nut M 8x1.5	\$5
7281	4	Washer 4x8x0.8	\$1
7917	1	Stainless Steel Washer	\$2
8855	1	OR 3425 107.62x2.62	\$7
8912	1	Bronze Body B2KQ-A	\$1,711

Part Number	Qty	Description	Retail price
8913	1	Valve Body B2KQ-A	\$307
9064	1	Counterweight Washer	\$36
9065	1	Counterweight	\$47
9548	1	Fondi Funder	\$11
F135	1	Conical Tap 1/4" Gas	\$22
F156	1	Stainless Steel Key B 4x4x16	\$6
F277	1	Stainless Steel Disc B2KQ-A	\$73
F335	1	Motor Mec80 2HP 3PH	\$959
F379	1	Bronze Impeller	\$361
F553	4	Stainless Steel Screw M10x18	\$4
F555	1	Tap AISI 316 1" G	\$116
F739	1	Steel Nut M6x1	\$7