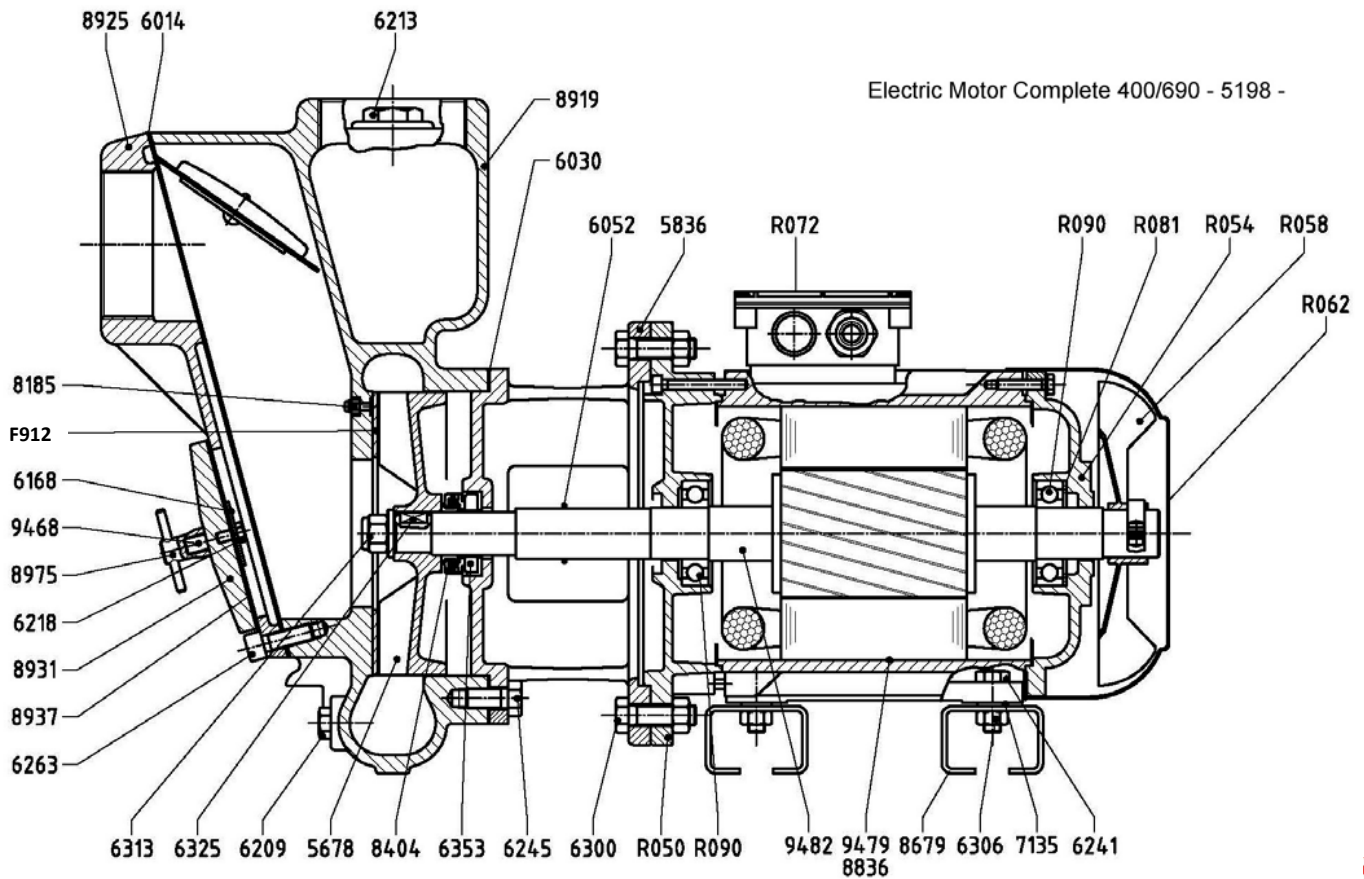




AUSSIE SPARES DIAGRAM & PARTS LIST

AUSSIE GMP PUMPS: B3XR-A/ST WITH 5.5HP ELECTRIC MOTOR
CAT EAS1



Electric Motor Complete 400/690 - 5198 -



Part Number	Qty	Description	List price
5198	1	Electric Mot. 5.5 HP	\$2,437
5441	2	Flex. Gasket 0.2mm	\$12
5678	1	Impeller G 1081/2A	\$778
5836	1	Support B 2951/1	\$863
5867	1	Counterweight B3XR-A	\$18
6030	1	Flex. Gasket B 2587	\$12
6052	1	OR 133 (24.99x3.53)	\$13
6103	1	Check Valve B 2583/1	\$78
6161	1	Washer D.7x75x2.5	\$11
6169	2	Copper Washer	\$4
6178	1	Washer B 2901/2	\$5
6209	1	Conical Tap 1/4" Gas	\$6
6213	1	Conical Tap 1" Gas	\$7
6241	4	T.E. Screw M 10x30	\$2
6243	4	T.E. Screw M 12x25	\$6
6263	5	OEB Screw M 10x30	\$2
6300	4	Hex. Head Bolt M12x40	\$5

Part Number	Qty	Description	List price
6306	4	Hexagonal Nut M10x1.5	\$7
6353	1	Counterface 27-50-10	\$30
6802	1	Pipe PEHD D.90	\$8
6841	1	Rivet 6.5x20	\$4
7135	4	Washer 10x18x2	\$4
8185	3	Torque Nut M5 A2	\$4
8404	1	Mech. Seal 25-47-14	\$268
8679	2	Foot Elec. Motor 5.5HP	\$109
8919	1	Pump Body B3XR-A/ST	\$2,264
8925	1	Valve B3XR-A/ST	\$464
8931	1	Inspection Door	\$122
8937	2	Gasket Door B3XR-A/ST	\$18
F912	1	Complete Wear Disc	\$150
8975	2	Complete Pin M10	\$54
F159	4	Washer	\$6
F476	1	Nut M12x1.75	\$14
H342	2	Screw M 10x55	\$11