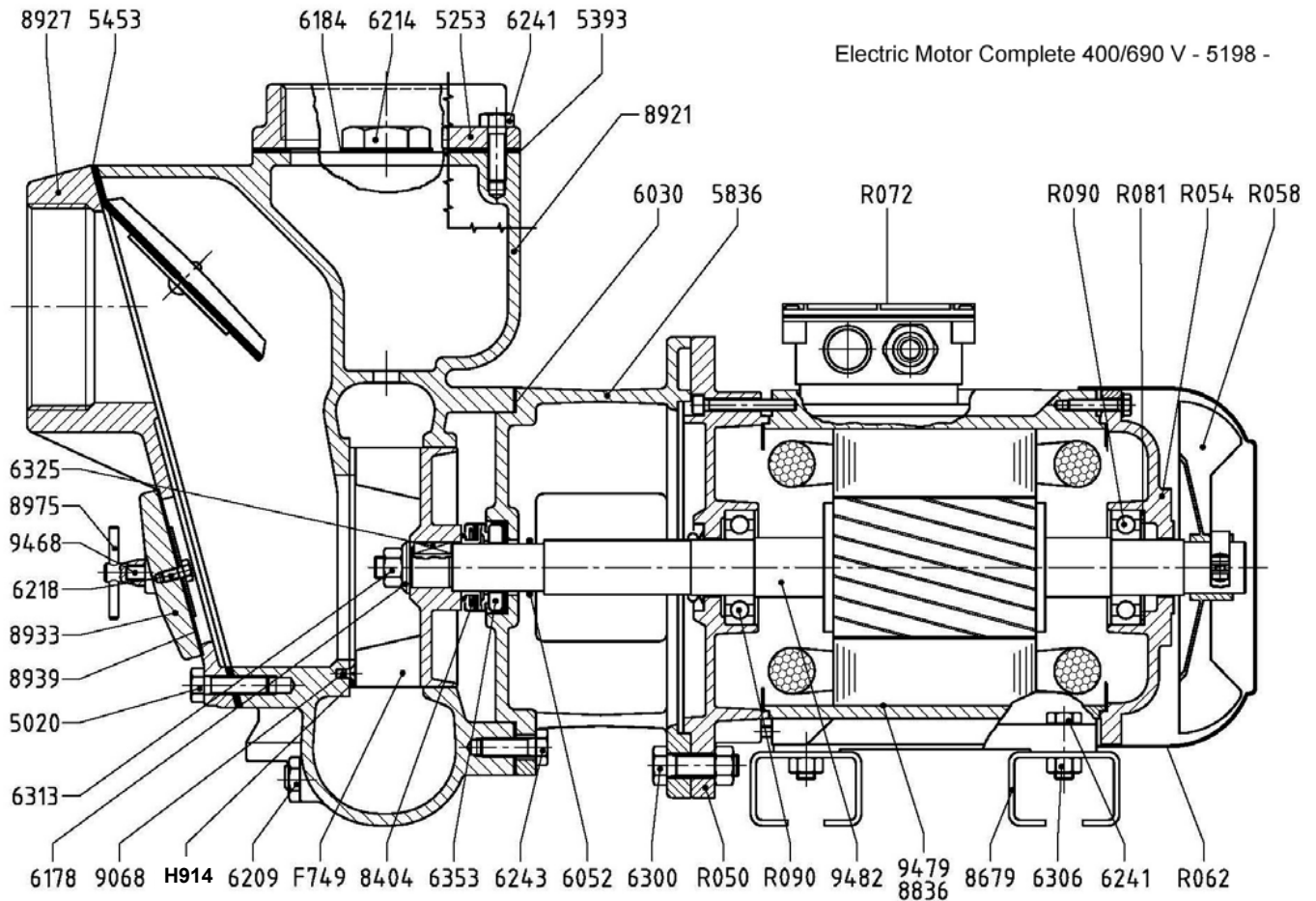




AUSSIE SPARES DIAGRAM & PARTS LIST

AUSSIE GMP PUMPS: B4KQ-A/ST WITH 5.5HP ELECTRIC MOTOR
CAT EARS



Quality
ISO 9001
SAI GLOBAL

Part Number	Qty	Description	List price
5020	4	T.E. Screw M 10x35	\$2
5198	1	Electric Mot. 5.5 HP	\$2,437
5253	1	Flange B 3203	\$53
5379	1	Counterweight B 3205	\$13
5393	1	Rubber Gasket B 3207	\$17
5453	1	Valve Gasket B 3206	\$83
5836	1	Support B 2951/1	\$863
6030	1	Flex. Gasket B 2587	\$12
6052	1	OR 133 (24.99x3.53)	\$13
6161	1	Washer D.7x75x2.5	\$11
6169	2	Copper Washer	\$4
6178	1	Washer B 2901/2	\$5
6184	1	Flex. Washer 41x50x2	\$7
6209	1	Conical Tap 1/4" Gas	\$6
6214	1	Conical Tap 1/4" Gas	\$26
6241	9	T.E. Screw M 10x30	\$2
6243	4	T.E. Screw M 12x25	\$6
6300	4	Hex. Head Bolt M12x40	\$5

Part Number	Qty	Description	List price
6306	4	Hexagonal Nut M10x1.5	\$7
6325	1	Key B 6x6x20	\$5
6353	1	Counterface 27-50-10	\$30
6802	1	Pipe PEHD D.90	\$8
6841	1	Rivet 6.5x20	\$4
7135	4	Washer 10x18x2	\$4
8404	1	Mech. Seal 25-47-14	\$268
8679	2	Foot Elec. Motor 5.5HP	\$109
8921	1	Pump Body B4KQ-A/ST	\$2,300
8927	1	Valve B4KQ-A/ST	\$499
8933	1	Inspection Door	\$128
8939	2	Gasket Door B4KQ-A/ST	\$22
H914	1	Complete Wear Disc D.129.5 kit	\$164
8975	2	Complete Pin M10	\$54
9068	3	Screw T.S.E.I.M5x00	\$1
9468	2	Grub Screw M10x60	\$11
F476	1	Nut M12x1.75	\$14
F749	1	Impeller B4KQ-A/ST	\$734