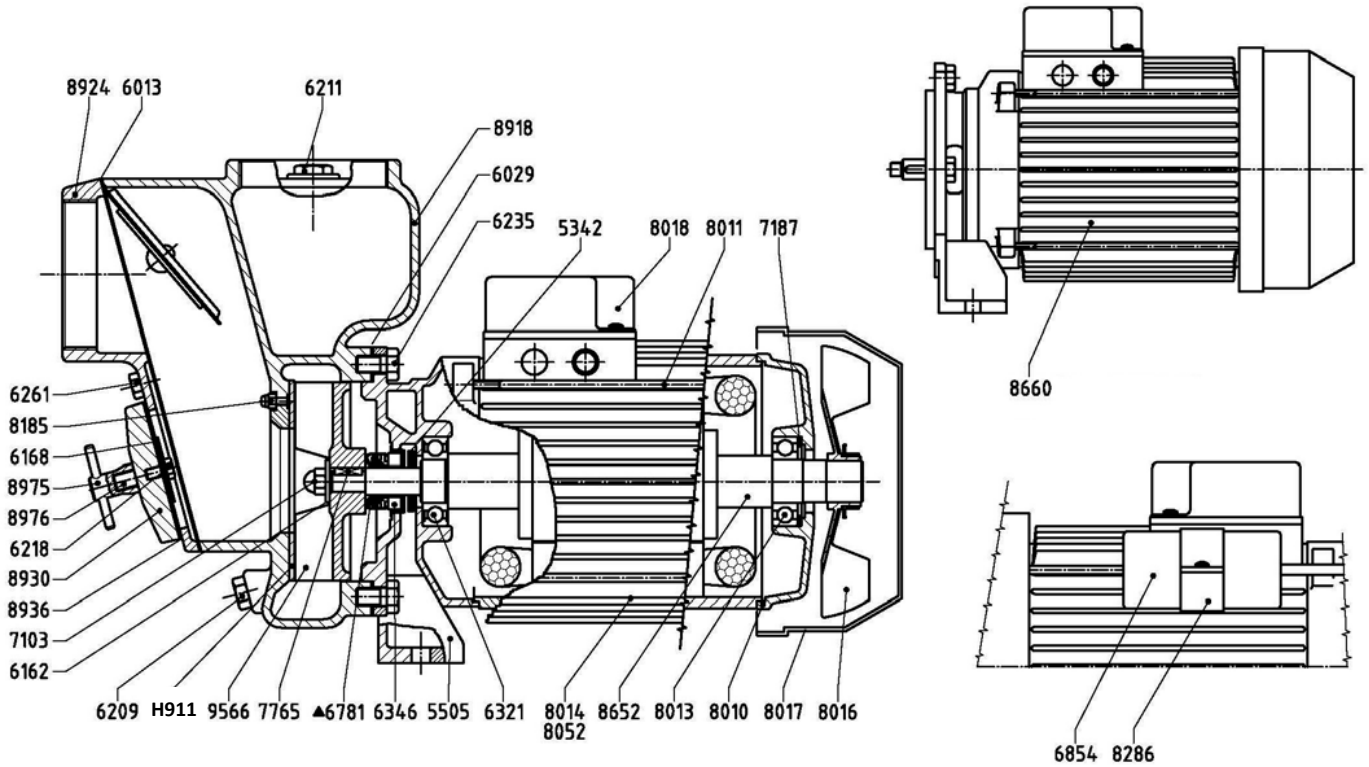




# AUSSIE SPARES DIAGRAM & PARTS LIST

AUSSIE GMP PUMPS: B3KQ-A/ST WITH 3HP ELECTRIC MOTOR  
CAT EAR6



Part Number	Qty	Description	List price
5342	1	Rubber Gasket 16x35x3	\$2
5480	2	Flex. Gasket B 2618	\$8
5866	1	Counterweight B3KQ-A	\$20
6013	1	Complete check valve	\$34
6029	1	Flex. Gasket B 2618	\$8
6102	1	Check Valve B3KQ-A	\$34
6160	1	Washer B 2672/1	\$5
6161	1	Washer D.7x75x2.5	\$11
6162	1	Washer 8x17x1.5	\$2
6169	2	Copper Washer	\$4
6209	1	Conical Tap 1/4" Gas	\$6
6211	1	Conical Tap 1/2" Gas	\$6
6235	4	T.E. Screw M 10x18	\$2
6261	4	OEB Screw M 10x20	\$2
6346	1	Counterface S 5645	\$31
6654	5	TC Taptite Screw	\$1
6781	1	Mech. Seal 16-32-13	\$196

Part Number	Qty	Description	List price
6841	1	Rivet 6.5x20	\$4
6972	6	T.C. Screw 3.5x13	\$1
7103	1	Brass Nut M 8x1.5	\$5
8660	1	Motor Mec90 3HP 230/400V	\$1,439
8918	1	Pump Body B3KQ-A/ST	\$1,009
8924	1	Valve B3KQ-A/ST	\$217
8930	1	Inspection Door	\$143
8936	2	Gasket Inspect. Door	\$18
8975	2	Complete Pin M10	\$54
8976	2	Grub Screw M10x50	\$11
9194	1	Complete Cond. Box	\$34
9566	1	Impeller B3KQ-A/ST	\$389
F137	1	Cable H05VV 3x1.5x3m	\$96
F156	1	Stainless Steel Key B 4x4x16	\$6
H911	1	Complete Wear Disc kit	\$155
H388	4	Screw M5x12	\$1
P963	1	Filling cap gasket	\$7

### REJUVENATION KIT ... SAVE ON BUYING INDIVIDUAL PARTS

Includes check valve, mech seal, GSKIT-B3KQ-A/ST counterface, filling cap & trash port gaskets (items highlighted yellow) \$224