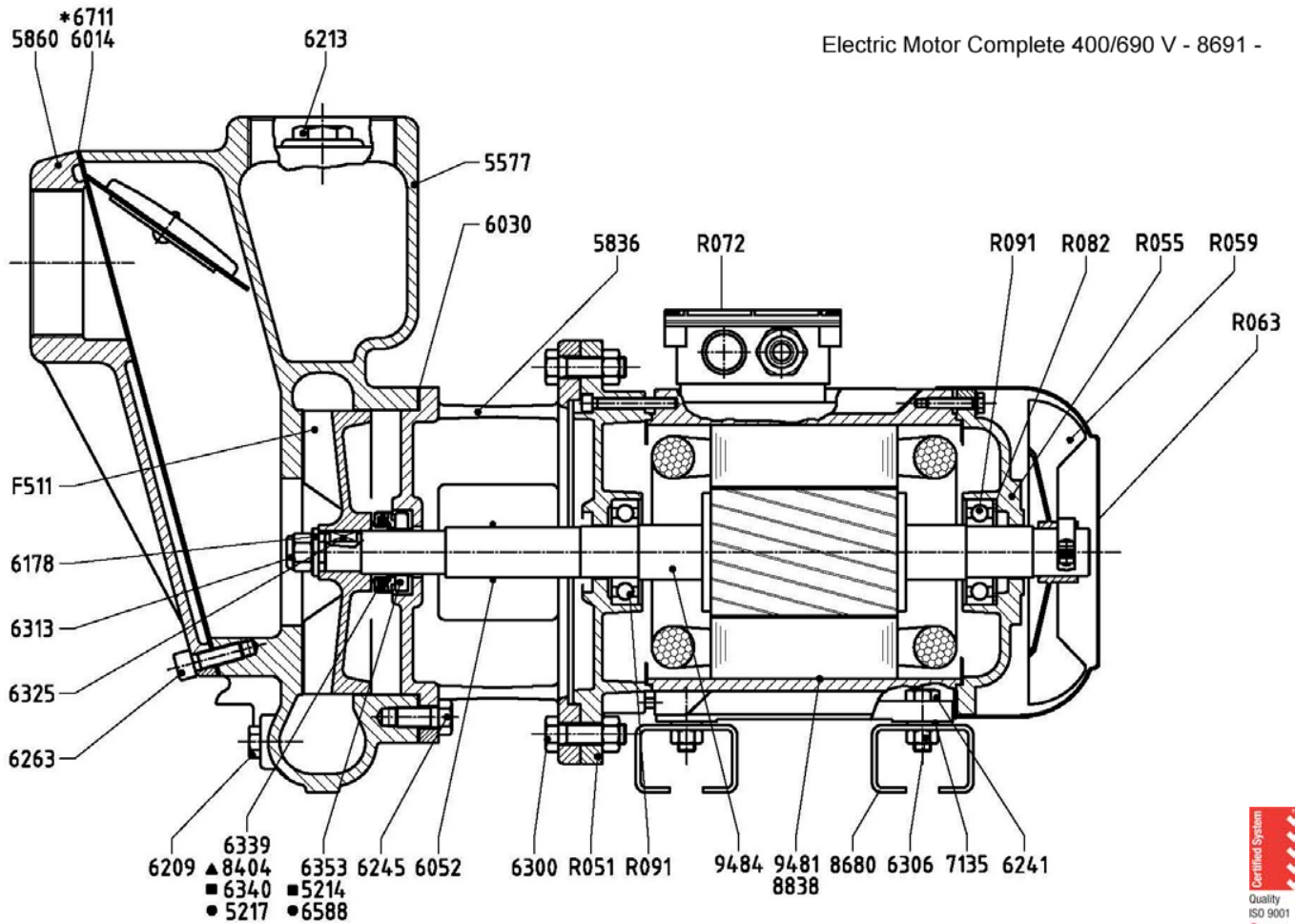




AUSSIE SPARES DIAGRAM & PARTS LIST

AUSSIE GMP PUMPS: B3XR-A WITH 10HP ELECTRIC MOTOR
CAT EAL1 (EAHA)

Electric Motor Complete 400/690 V - 8691 -



Part Number	Qty	Description	Retail price
5577	1	Pump Casing B3XR-A	\$2,158
5836	1	Support B 2951/1	\$863
5860	1	Valve Body B3XR-A	\$415
5867	1	Counterweight B3XR-A	\$18
6030	1	Flex. Gasket B 2587	\$12
6052	1	OR 133 (24.99x3.53)	\$13
6103	1	Check Valve B 2583/1	\$78
6161	1	Washer D.7x75x2.5	\$11
6178	1	Washer B 2901/2	\$5
6209	1	Conical Tap 1/4" Gas	\$6
6213	1	Conical Tap 1" Gas	\$7
6241	4	T.E. Screw M 10x30	\$2
6243	4	T.E. Screw M 12x25	\$6

Part Number	Qty	Description	Retail price
6263	7	OEB Screw M 10x30	\$2
6300	4	Hex. Head Bolt M12x40	\$5
6306	4	Hexagonal Nut M10x1.5	\$7
6325	1	Key B 6x6x20	\$5
6339	1	Mech. Seal 25-47-14	\$43
6353	1	Counterface 27-50-10	\$30
6802	1	Pipe PEHD D.90	\$8
6841	1	Rivet 6.5x20	\$4
7135	4	Washer 10x18x2	\$4
8680	2	Base Elec. Motor	\$116
8691	1	Motor 10 HP 400/690V.	\$3,914
F476	1	Nut M12x1.75	\$14
F511	1	3-Blades Impeller	\$605