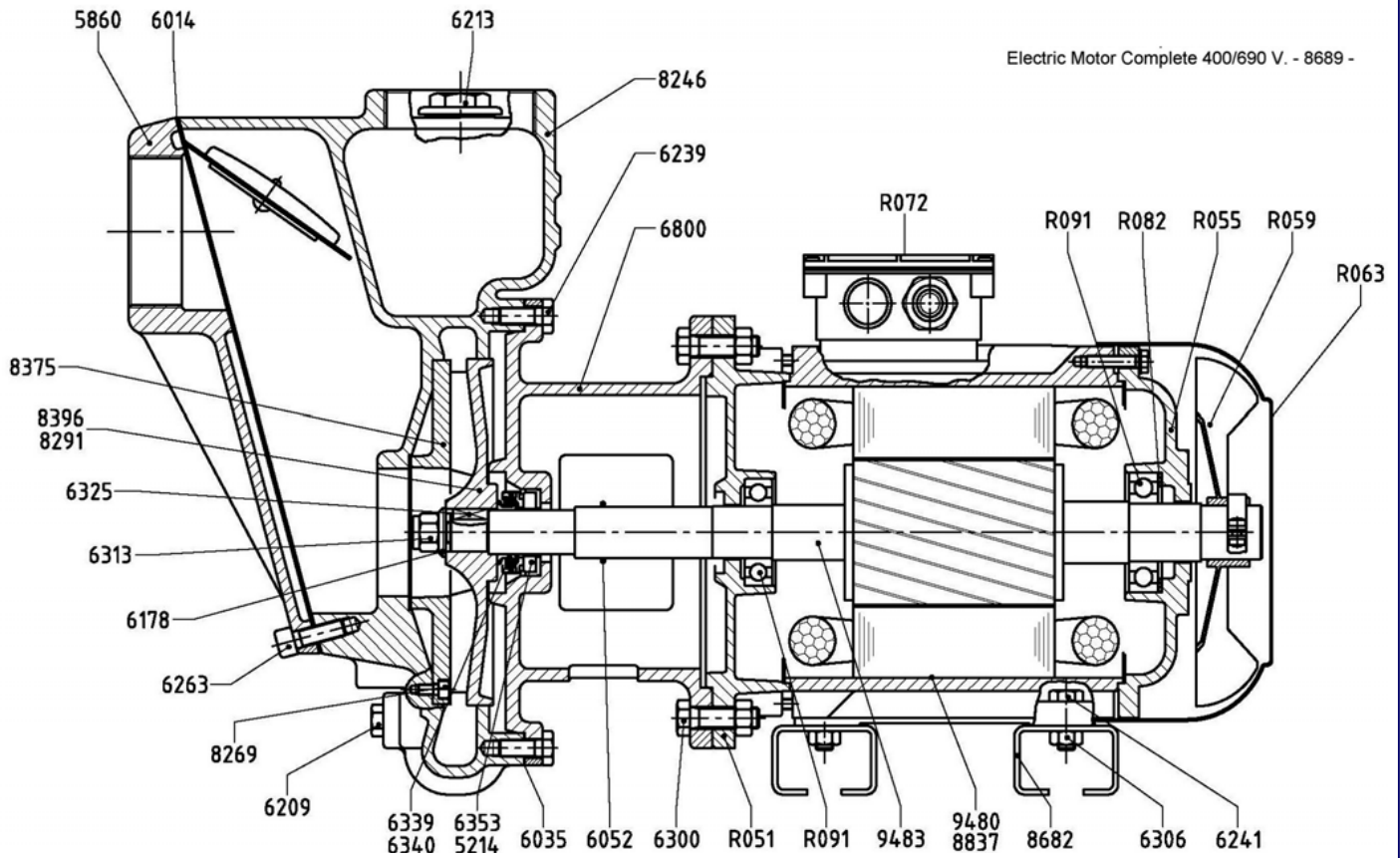




AUSSIE SPARES DIAGRAM & PARTS LIST

AUSSIE GMP PUMPS: G3TMK-A WITH 7.5HP ELECTRIC MOTOR
CAT EAH7 (EADH)

Electric Motor Complete 400/690 V. - 8689 -



| Part Number | Qty | Description | Retail price |
|-------------|-----|------------------------|--------------|
| 5860 | 1 | Valve Body B3XR-A | \$415 |
| 5867 | 1 | Counterweight B3XR-A | \$18 |
| 6035 | 2 | Flex. Gasket B 1056 | \$18 |
| 6052 | 1 | OR 133 (24.99x3.53) | \$13 |
| 6103 | 1 | Check Valve B 2583/1 | \$78 |
| 6161 | 1 | Washer D.7x75x2.5 | \$11 |
| 6178 | 1 | Washer B 2901/2 | \$5 |
| 6209 | 1 | Conical Tap 1/4" Gas | \$6 |
| 6213 | 1 | Conical Tap 1" Gas | \$7 |
| 6239 | 8 | Hex. Head Screw M10x25 | \$4 |
| 6241 | 4 | T.E. Screw M 10x30 | \$2 |
| 6263 | 7 | OEB Screw M 10x30 | \$2 |
| 6300 | 4 | Hex. Head Bolt M12x40 | \$5 |
| 6306 | 4 | Hexagonal Nut M10x1.5 | \$7 |

| Part Number | Qty | Description | Retail price |
|-------------|-----|-------------------------|--------------|
| 6325 | 1 | Key B 6x6x20 | \$5 |
| 6339 | 1 | Mech. Seal 25-47-14 | \$43 |
| 6353 | 1 | Counterface 27-50-10 | \$30 |
| 6800 | 1 | Support G3TMK-A | \$642 |
| 6841 | 1 | Rivet 6.5x20 | \$4 |
| 7135 | 4 | Washer 10x18x2 | \$4 |
| 8246 | 1 | Pump Casing B-2450/1 | \$2,228 |
| 8269 | 3 | Steel OEB Screw M6x12 | \$5 |
| 8375 | 1 | Wear Disc B-2451 | \$293 |
| 8396 | 1 | Impeller B 2452/B | \$707 |
| 8682 | 2 | Motor Foot SCH-2737/D | \$67 |
| 8689 | 1 | Motor 7.5HP - 400/690V. | \$3,036 |
| F476 | 1 | Nut M12x1.75 | \$14 |