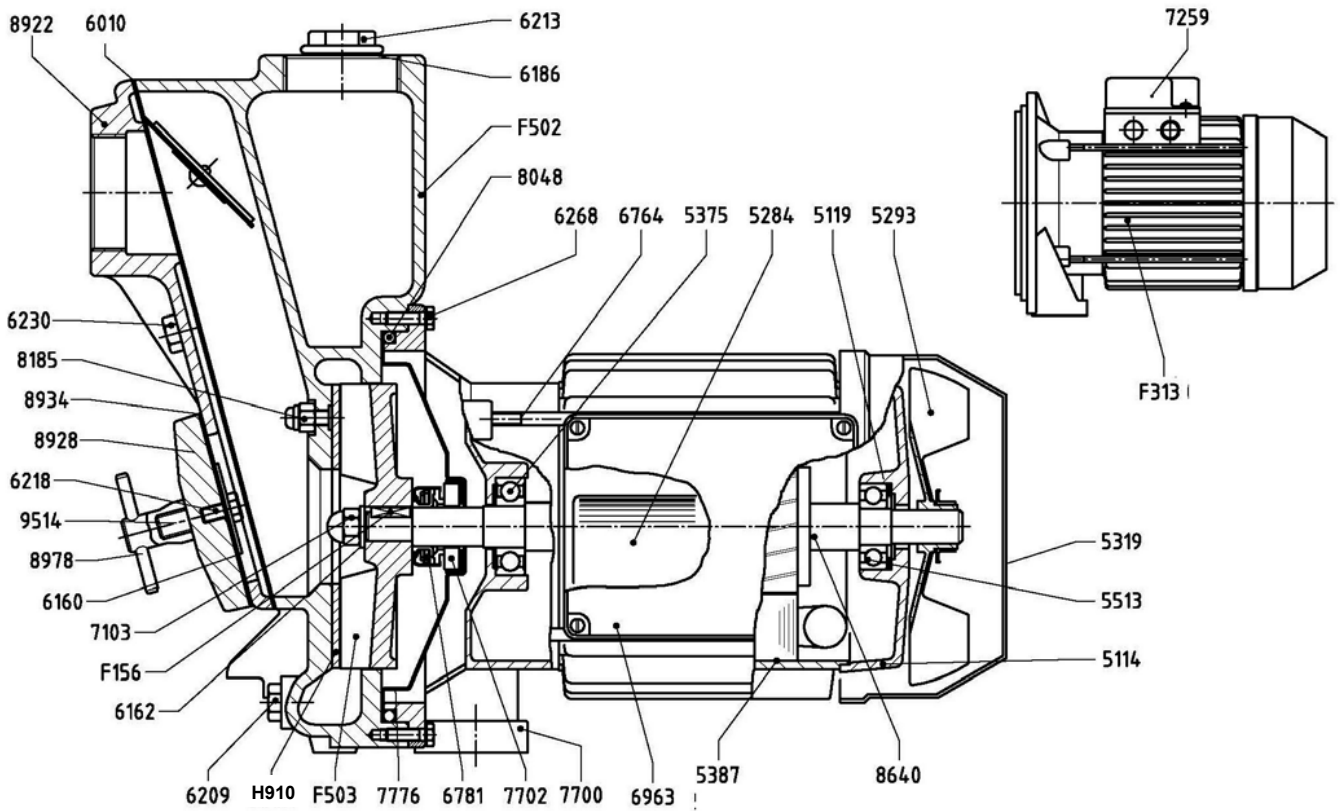




# AUSSIE SPARES DIAGRAM & PARTS LIST

AUSSIE GMP PUMPS: B1½KQ-A/ST WITH 1HP ELECTRIC MOTOR  
CAT EA4P



Part Number	Qty	Description	List price
5155	1	Electric Motor 1PH-71-H90-	\$905
5342	1	Rubber Gasket 16x35x3	\$2
5663	1	Impeller B 3092/1B	\$259
6029	1	Flex. Gasket B 2618	\$8
6100	1	Check Valve B 2672	\$24
6160	1	Washer B 2672/1	\$5
6168	1	Washer B 2621/2	\$7
6186	1	Flex. Washer 33x39x2	\$2
6209	1	Conical Tap ¼" Gas	\$6
6213	1	Conical Tap 1" Gas	\$7
6230	6	Hex. Head Screw M8x20	\$5
6235	4	T.E. Screw M 10x18	\$2
6346	1	Counterface S 5645	\$31
6781	1	Mech. Seal 16-32-13	\$196
6963	1	Condenser Box	\$17

Part Number	Qty	Description	List price
6990	1	Packing FV63/71-2	\$5
6991	1	Packing FLK71	\$7
6992	1	Condenser Band	\$5
6993	1	Stop Cable	\$1
8916	1	Pump Body B1½KQA/ST	\$767
8922	1	Valve B1½KQ-A/ST	\$172
8928	1	Inspection Door	\$65
8934	2	Gasket Inspect. Door	\$12
H910	1	Complete Wear Disc kit	\$65
8978	2	Complete Pin M8	\$43
9325	1	Rivet 6x12	\$2
9514	2	Grub Screw M8x50	\$7
9548	1	Fondi Funder	\$11
9616	1	PVC Cable	\$52
F159	4	Washer	\$6