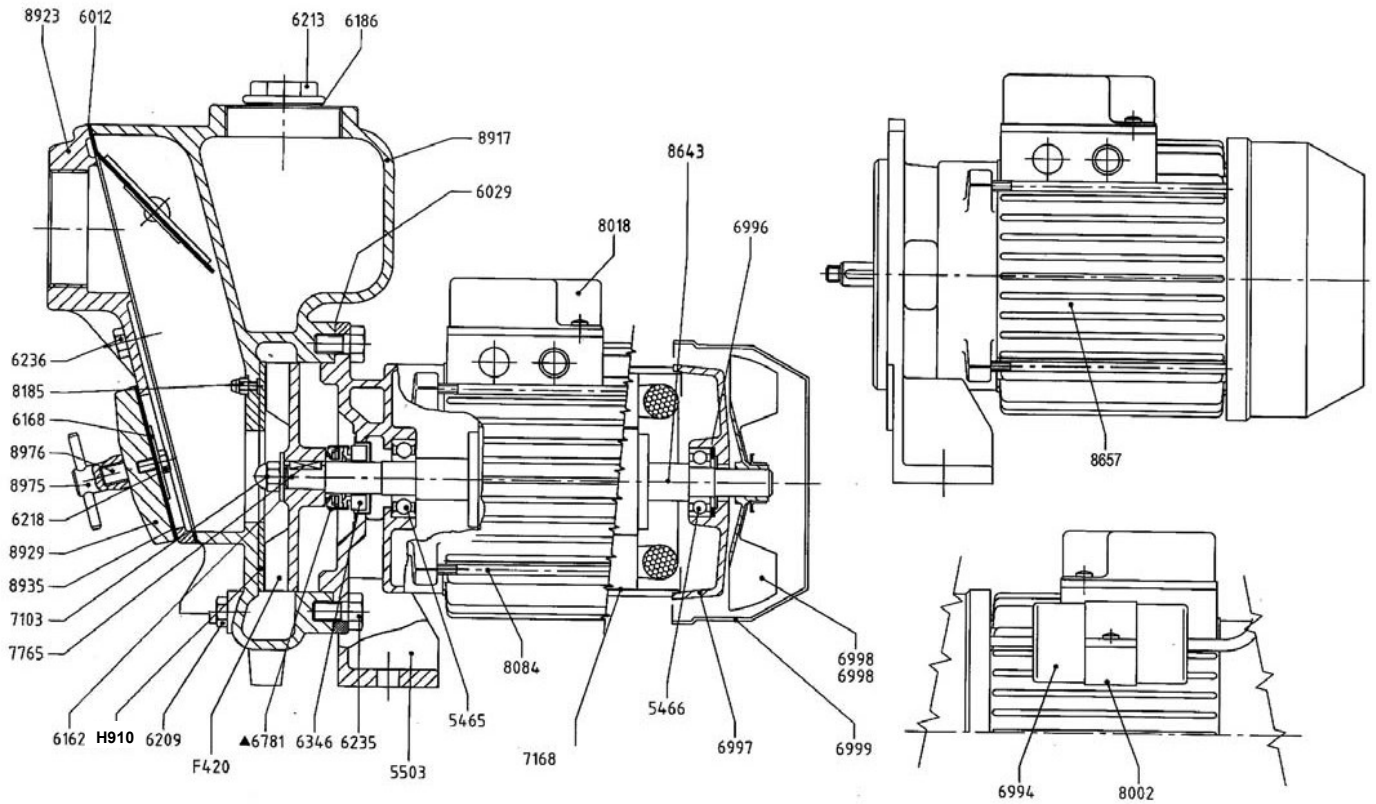




AUSSIE SPARES DIAGRAM & PARTS LIST

AUSSIE GMP PUMPS: B2KQ-A/ST WITH 2HP ELECTRIC MOTOR
CAT EA3L



Part Number	Qty	Description	List price
5342	1	Rubber Gasket 16x35x3	\$2
5480	2	Flex. Gasket B 2618	\$8
6029	1	Flex. Gasket B 2618	\$8
6101	1	Check Valve 2616/2	\$26
6161	1	Washer D.7x75x2.5	\$11
6162	1	Washer 8x17x1.5	\$2
6168	2	Washer B 2621/2	\$7
6169	2	Copper Washer	\$4
6186	1	Flex. Washer 33x39x2	\$2
6209	1	Conical Tap 1/4" Gas	\$6
6213	1	Conical Tap 1" Gas	\$7
6218	1	Hex. Head Screw M6x12	\$2
6235	4	T.E. Screw M 10x18	\$2
6236	4	Hex. Head Screw M10x20	\$2
6346	1	Counterface S 5645	\$31
6781	1	Mech. Seal 16-32-13	\$196

Part Number	Qty	Description	List price
7103	1	Brass Nut M 8x1.5	\$5
8657	1	Motor Mec80 2HP 230V.	\$959
8917	1	Pump Body B2KQ-A/ST	\$869
8923	1	Valve B2KQ-A/ST	\$200
8929	1	Inspection Door	\$79
8935	1	Gasket Inspect. Door	\$22
H910	1	Complete Wear Disc kit	\$65
8975	2	Complete Pin M10	\$54
8976	2	Grub Screw M10x50	\$11
9194	1	Complete Cond. Box	\$34
9325	1	Rivet 6x12	\$2
9616	1	PVC Cable	\$52
F156	1	Stainless Steel Key B 4x4x16	\$6
F159	4	Washer	\$6
F420	1	Impeller B2KQ-A/ST	\$302