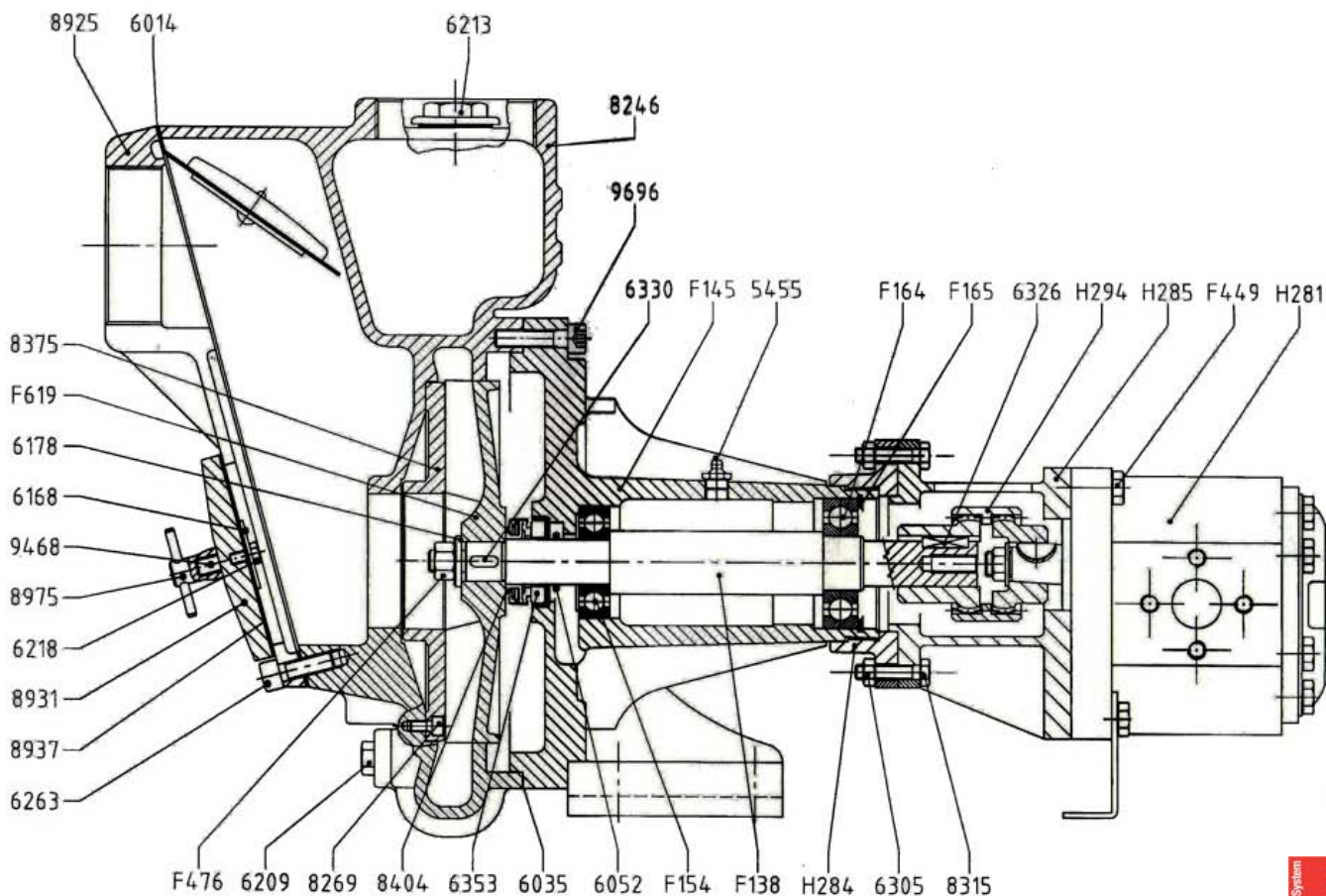




AUSSIE SPARES DIAGRAM & PARTS LIST

AUSSIE GMP PUMPS: G3TMK-A/ST HYDRAULIC MOTOR
CAT ASE1



| Part Number | Qty | Description | Retail price |
|-------------|-----|-----------------------|--------------|
| 5455 | 1 | Greaser G 1/8" | \$7 |
| 5867 | 1 | Counterweight B3XR-A | \$18 |
| 6035 | 2 | Flex. Gasket B 1056 | \$18 |
| 6052 | 1 | OR 133 (24.99x3.53) | \$13 |
| 6103 | 1 | Check Valve B 2583/1 | \$78 |
| 6161 | 1 | Washer D.7x75x2.5 | \$11 |
| 6169 | 2 | Copper Washer | \$4 |
| 6173 | 1 | Washer 10x30x6 | \$7 |
| 6178 | 1 | Washer B 2901/2 | \$5 |
| 6209 | 3 | Conical Tap 1/4" Gas | \$6 |
| 6213 | 1 | Conical Tap 1" Gas | \$7 |
| 6238 | 1 | Screw T.E. M10x20 SX | \$7 |
| 6263 | 5 | OEB Screw M 10x30 | \$2 |
| 6326 | 1 | Key B 6x6x25 | \$6 |
| 6330 | 1 | Key 6x6x15 | \$5 |
| 6353 | 1 | Counterface 27-50-10 | \$30 |
| 8246 | 1 | Pump Casing B-2450/1 | \$2,228 |
| 8269 | 3 | Steel OEB Screw M6x12 | \$5 |
| 8375 | 1 | Wear Disc B-2451 | \$293 |

| Part Number | Qty | Description | Retail price |
|-------------|-----|-----------------------|--------------|
| 8404 | 1 | Mech. Seal 25-47-14 | \$268 |
| 8925 | 1 | Valve B3XR-A/ST | \$464 |
| 8931 | 1 | Inspection Door | \$122 |
| 8937 | 2 | Gasket Door B3XR-A/ST | \$18 |
| 9468 | 2 | Grub Screw M10x60 | \$11 |
| 9696 | 8 | OEB Scre M10x40 | \$2 |
| F138 | 1 | Stainless Steel Shaft | \$628 |
| F145 | 1 | Bracket G3TMK-A | \$1,040 |
| F154 | 1 | Bearing 6305-2RS | \$80 |
| F164 | 1 | Bearing 6306-2RS | \$120 |
| F165 | 1 | Snap Ring I 72 | \$7 |
| F476 | 1 | Nut M12x1.75 | \$14 |
| F619 | 1 | Impeller G3TMK-A "W" | \$707 |
| H281 | 1 | Hydraulic Motor | \$2,196 |
| H284 | 1 | Coupling Flange | \$293 |
| H285 | 1 | Support For Hydraulic | \$586 |
| H294 | 1 | Flexible Coupling | \$732 |
| H310 | 1 | Washer 63x80x0.5 | \$6 |