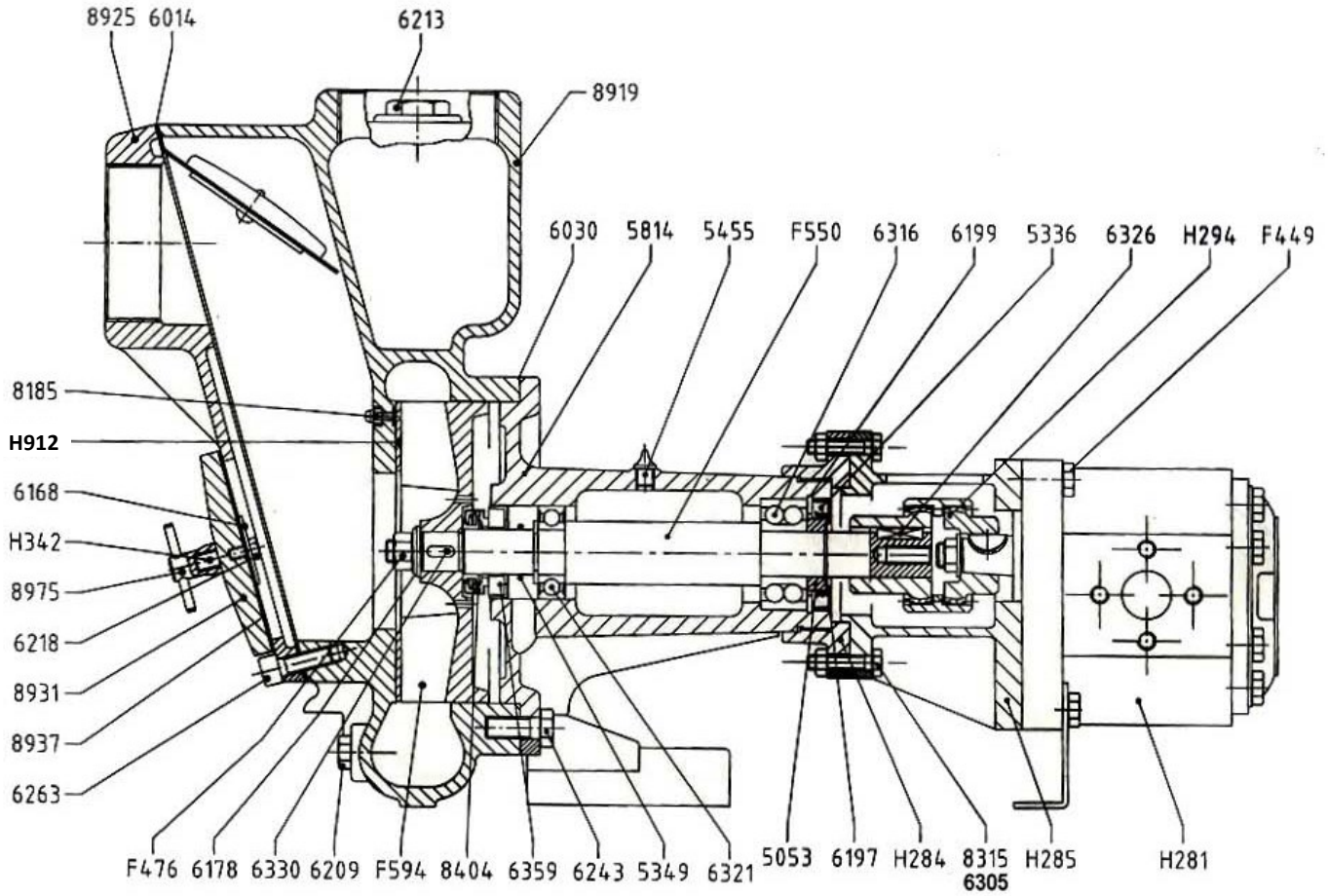




# AUSSIE SPARES DIAGRAM & PARTS LIST

AUSSIE GMP PUMPS: B3XR-A/ST HYDRAULIC MOTOR  
CAT ASD9



Part Number	Qty	Description	List price
5053	1	Sleeve G 1005/1	\$24
5336	1	Oil Seal 40x62x10	\$14
5349	1	OR 4093 (23.4x3.53)	\$4
5441	2	Flex. Gasket 0.2mm	\$12
5455	1	Greaser G 1/8"	\$7
5814	1	Support B 3XR-A	\$992
6014	1	Complete check valve	\$96
6030	1	Flex. Gasket B 2587	\$12
6161	1	Washer D.7x75x2.5	\$11
6168	1	Washer B 2621/2	\$7
6169	2	Copper Washer	\$4
6173	1	Washer 10x30x6	\$7
6178	1	Washer B 2901/2	\$5
6197	2	Snap Ring E 25	\$2
6199	1	Snap Ring I 62	\$5
6209	1	Conical Tap 1/4" Gas	\$6
6213	1	Conical Tap 1" Gas	\$7
6218	1	Hex. Head Screw M6x12	\$2
6238	1	Screw T.E. M10x20 SX	\$7
6243	4	T.E. Screw M 12x25	\$6
6263	5	OEB Screw M 10x30	\$2
6316	1	Bearing 3305	\$182
6321	1	Bearing 6205-2RS	\$61
6326	1	Key B 6x6x25	\$6
6330	1	Key 6x6x15	\$5

Part Number	Qty	Description	List price
6359	1	Counterface G 1002/4	\$55
6841	1	Rivet 6.5x20	\$4
8185	3	Torque Nut M5 A2	\$4
8404	1	Mech. Seal 25-47-14	\$243
8919	1	Pump Body B3XR-A/ST	\$2,264
8925	1	Valve B3XR-A/ST	\$464
8931	1	Inspection Door	\$122
8936	1	Gasket Door B3XR-A/ST	\$22
H912	1	Complete Wear Disc	\$150
8975	2	Complete Pin M10	\$54
F159	3	Washer	\$6
F476	1	Nut M12x1.75	\$14
F550	1	Shaft Stainless Steel AISI 316	\$595
F594	1	Impeller B3XR-A/ST	\$778
H281	1	Hydraulic Motor	\$2,196
H284	1	Coupling Flange	\$293
H285	1	Support For Hydraulic	\$586
H294	1	Flexible Coupling	\$732
H310	1	Washer 63x80x0.5	\$6
H342	2	Screw M 10x55	\$11
P963	1	Filling cap gasket	\$7

REJUVENATION KIT ... SAVE ON BUYING INDIVIDUAL PARTS			
Includes check valve, mech seal, counterface, filling cap & trash port gaskets (components highlighted in yellow)			\$329
GSKIT-B3XR-A/STH			