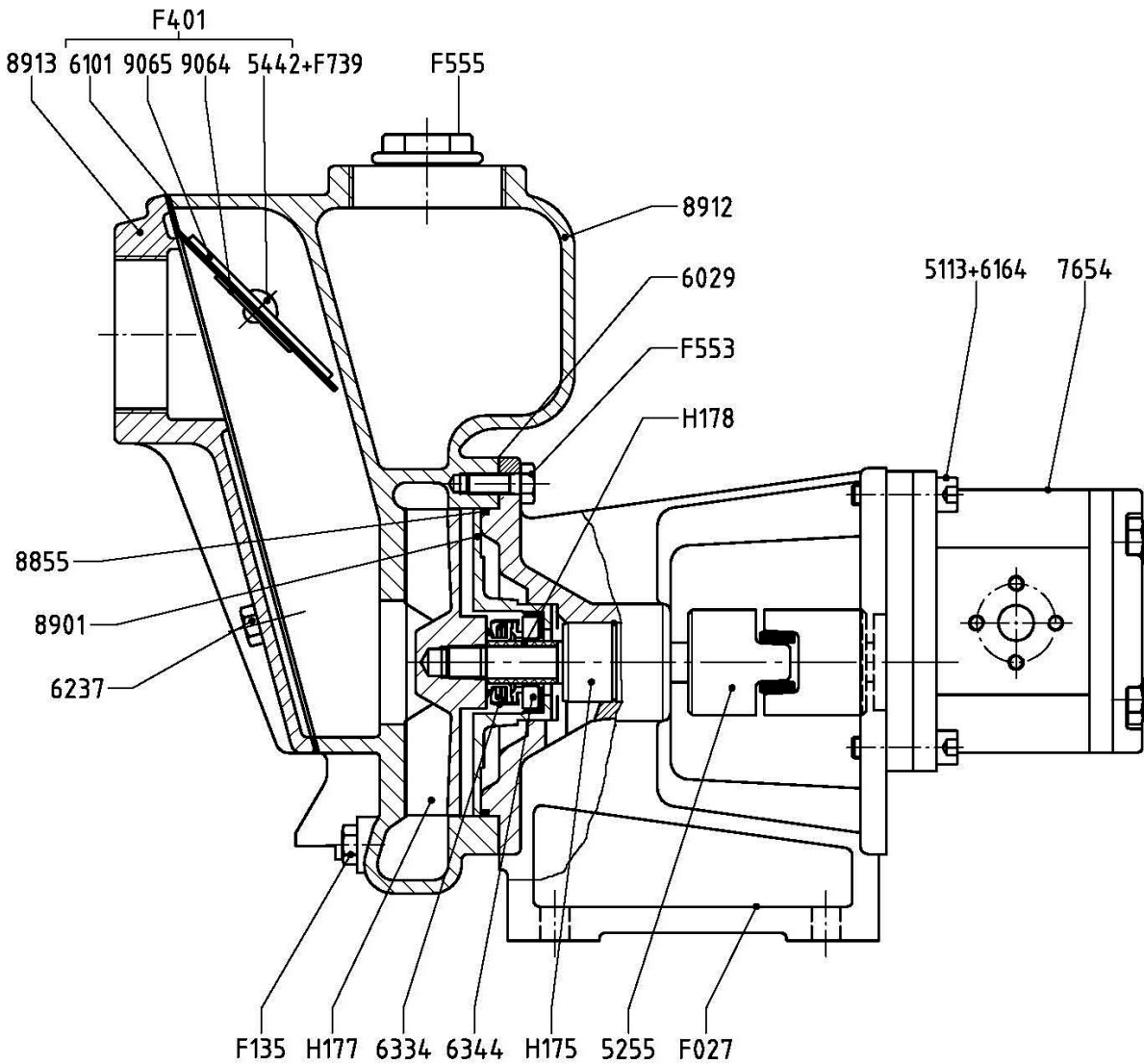




AUSSIE SPARES DIAGRAM & PARTS LIST

AUSSIE GMP PUMPS: B2KQ-A/B HYDRAULIC MOTOR
CAT AAT3



Part Number	Qty	Description	Retail price
5113	4	OEB Screw M 8x30	\$2
5188	1	Grub Screw	\$2
5255	1	Flex. Coupling D.40	\$286
5442	1	S/Steel OEB Screw M6x15	\$5
5480	2	Flex. Gasket B 2618	\$8
6029	1	Flex. Gasket B 2618	\$8
6101	1	Check Valve 2616/2	\$26
6164	4	Washer D.8x14x2	\$1
6237	6	Hex. Head Screw M10x20	\$5
6334	1	Mech. Seal 16-32-13	\$31
7654	1	Hydraulic Motor	\$1,726
8855	1	OR 3425 107.62x2.62	\$7
6344	1	Counterface 18-38-8	\$31

Part Number	Qty	Description	Retail price
8901	1	Diaphragm Sch-2802	\$179
8912	1	Bronze Body B2KQ-A	\$1,711
8913	1	Valve Body B2KQ-A	\$307
9064	1	Counterweight Washer	\$36
9065	1	Counterweight	\$47
F027	1	Support for Hydr.Mot.	\$583
F135	1	Conical Tap 1/4" Gas	\$22
F553	4	Stainless Steel Screw M10x18	\$4
F555	1	Tap AISI 316 1"G	\$116
F739	1	Steel Nut M6x1	\$7
H175	1	Shaft with Bearing	\$236
H177	1	Bronze Impeller	\$361
H178	1	Brass Sleeve	\$34