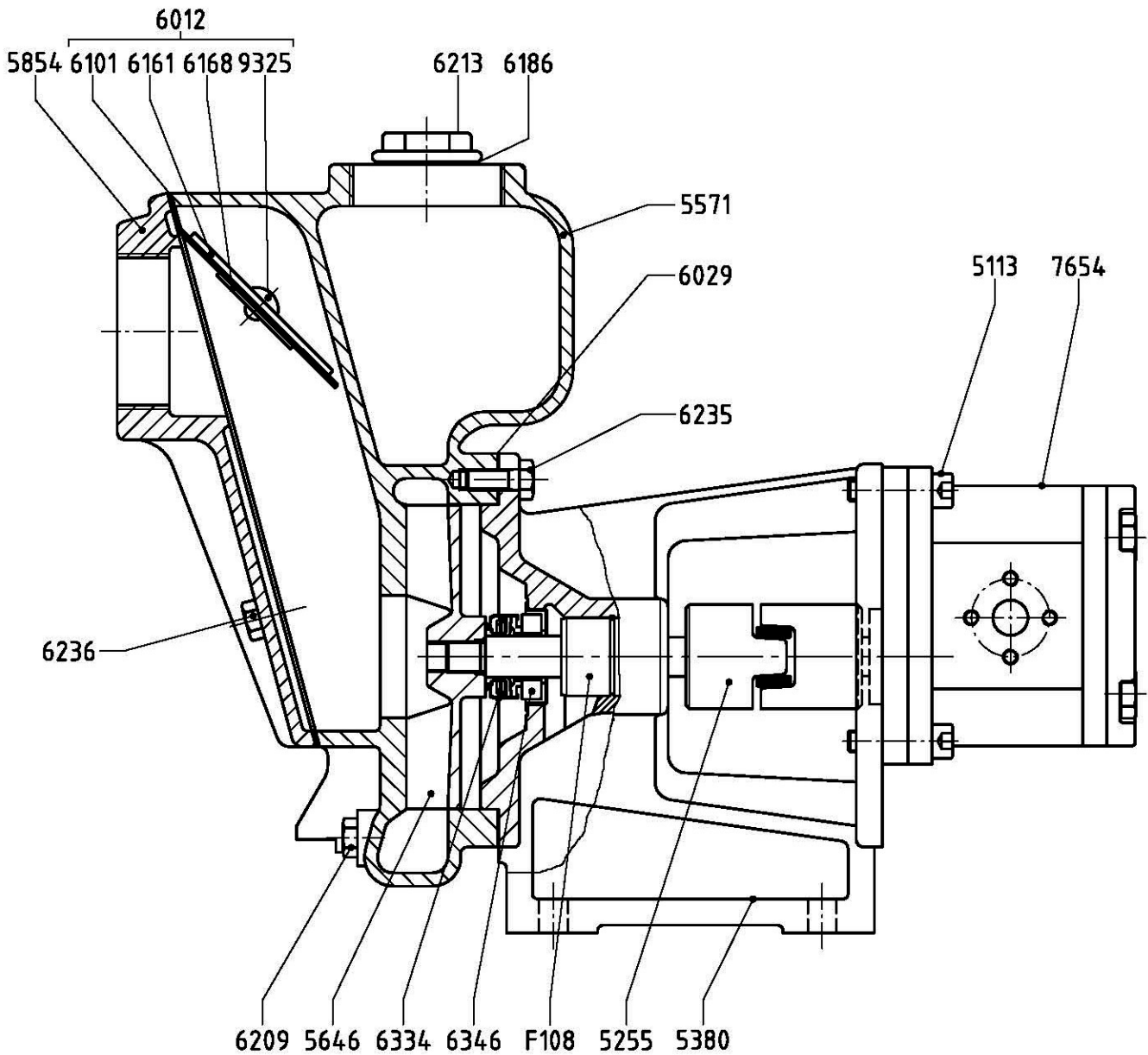




AUSSIE SPARES DIAGRAM & PARTS LIST

AUSSIE GMP PUMPS: B2KQ-A WITH HYDRAULIC MOTOR
CAT 2772



Part Number	Qty	Description	Retail price
5113	4	OEB Screw M 8x30	\$2
5188	1	Grub Screw	\$2
5255	1	Flex. Coupling D.40	\$286
5380	1	Support dis. B 2679/1	\$558
5480	2	Flex. Gasket B 2618	\$8
5571	1	Pump Casing B2KQ-A	\$820
5646	1	Impeller B 2623/1A	\$251
5854	1	Valve Body B2KQ-A	\$156
6029	1	Flex. Gasket B 2618	\$8
6049	1	OR 118 (13.95x2.62)	\$1
6101	1	Check Valve 2616/2	\$26
6161	1	Washer D.7x75x2.5	\$11
6164	4	Washer D.8x14x2	\$1

Part Number	Qty	Description	Retail price
6168	1	Washer B 2621/2	\$7
6186	1	Flex. Washer 33x39x2	\$2
6209	1	Conical Tap 1/4" Gas	\$6
6213	1	Conical Tap 1" Gas	\$7
6235	4	T.E. Screw M 10x18	\$2
6236	6	Hex. Head Screw M10x20	\$2
6334	1	Mech. Seal 16-32-13	\$31
6346	1	Counterface S 5645	\$31
7654	1	Hydraulic Motor	\$1,726
9283	2	Protecting Network	\$11
9325	1	Rivet 6x12	\$2
F108	1	Shaft with Bearing	\$199

