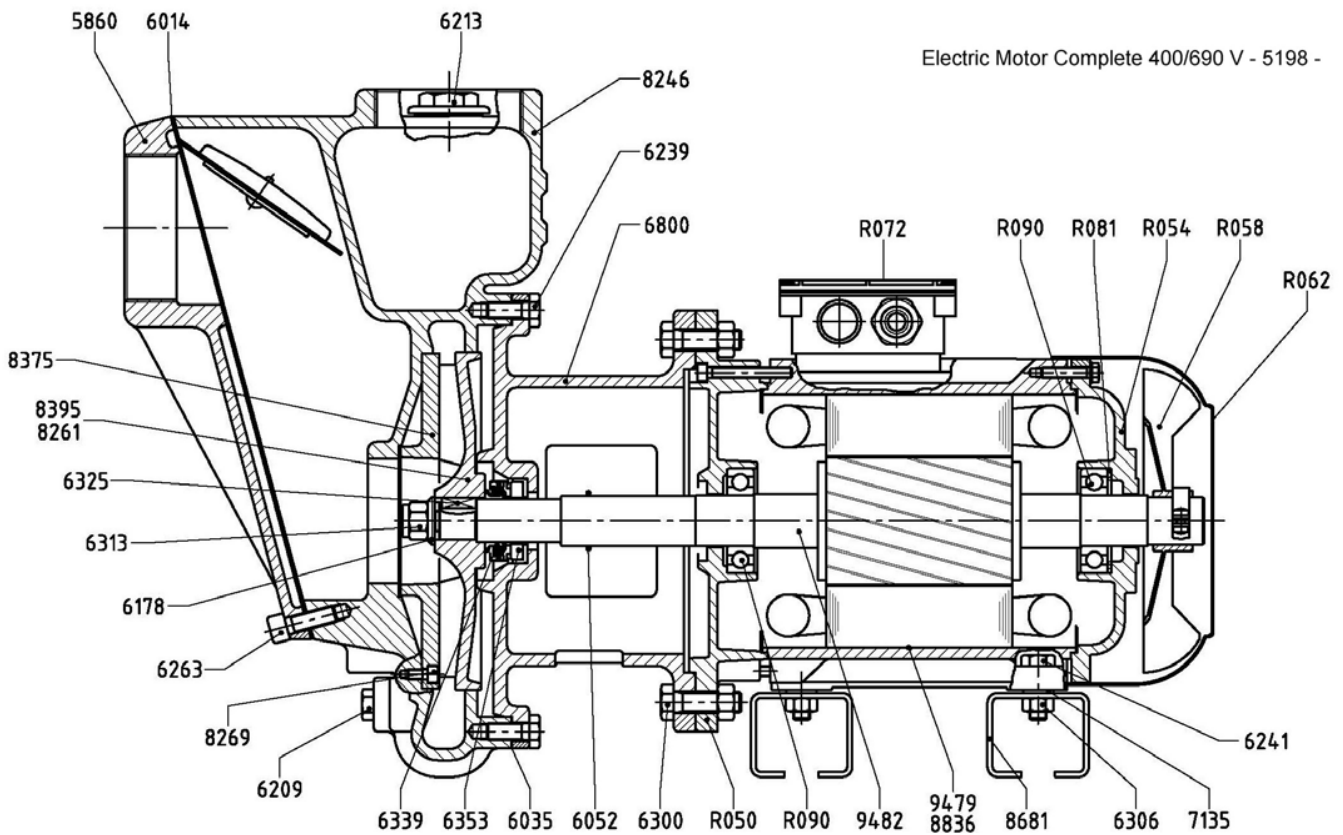




## AUSSIE SPARES DIAGRAM & PARTS LIST

AUSSIE GMP PUMPS: G3TMK-A WITH 5.5HP ELECTRIC MOTOR  
CAT 1974



Electric Motor Complete 400/690 V - 5198 -

Part Number	Qty	Description	Retail price
5198	1	Electric Mot. 5.5 HP	\$2,437
5860	1	Valve Body B3XR-A	\$415
5867	1	Counterweight B3XR-A	\$18
6035	2	Flex. Gasket B 1056	\$18
6052	1	OR 133 (24.99x3.53)	\$13
6103	1	Check Valve B 2583/1	\$78
6161	1	Washer D.7x75x2.5	\$11
6178	1	Washer B 2901/2	\$5
6209	1	Conical Tap 1/4" Gas	\$6
6213	1	Conical Tap 1" Gas	\$7
6239	8	Hex. Head Screw M10x25	\$4
6241	4	T.E. Screw M 10x30	\$2
6263	7	OEB Screw M 10x30	\$2
6300	4	Hex. Head Bolt M12x40	\$5

Part Number	Qty	Description	Retail price
6306	4	Hexagonal Nut M10x1.5	\$7
6325	1	Key B 6x6x20	\$5
6339	1	Mech. Seal 25-47-14	\$43
6353	1	Counterface 27-50-10	\$30
6800	1	Support G3TMK-A	\$642
6841	1	Rivet 6.5x20	\$4
7135	4	Washer 10x18x2	\$4
8246	1	Pump Casing B-2450/1	\$2,228
8269	3	Steel OEB Screw M6x12	\$5
8375	1	Wear Disc B-2451	\$293
8395	1	Impeller B 2452/A	\$707
8681	2	Motor Foot SCH-2737/C	\$67
F476	1	Nut M12x1.75	\$14

