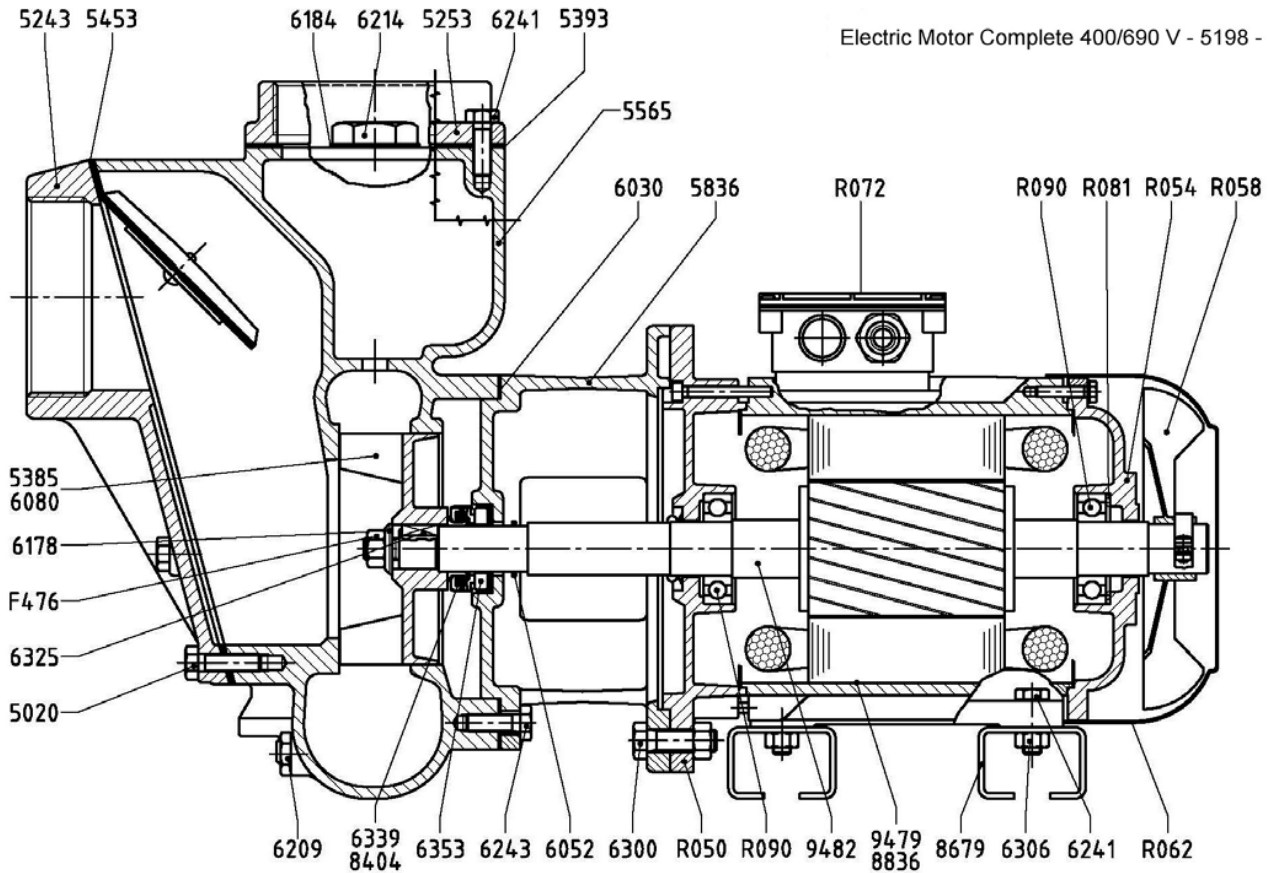




## AUSSIE SPARES DIAGRAM & PARTS LIST

AUSSIE GMP PUMPS: B4KQA WITH 5.5HP ELECTRIC MOTOR  
CAT 1489 (EAFE)



Electric Motor Complete 400/690 V - 5198 -

Part Number	Qty	Description	Retail price
5020	7	T.E. Screw M 10x35	\$2
5198	1	Electric Mot. 5.5 HP	\$2,437
5243	1	Valve Body B4KQ-A	\$271
5253	1	Flange B 3203	\$53
5379	1	Counterweight B 3205	\$13
5385	1	Impeller B 3202/D	\$656
5393	1	Rubber Gasket B 3207	\$17
5453	1	Valve Gasket B 3206	\$83
5565	1	Pump Casing B4KQ-A	\$2,244
5836	1	Support B 2951/1	\$863
6030	1	Flex. Gasket B 2587	\$12
6052	1	OR 133 (24.99x3.53)	\$13
6161	1	Washer D.7x75x2.5	\$11
6178	1	Washer B 2901/2	\$5
6184	1	Flex. Washer 41x50x2	\$7

Part Number	Qty	Description	Retail price
6209	1	Conical Tap 1/4" Gas	\$6
6214	1	Conical Tap 1 1/4" Gas	\$26
6241	8	T.E. Screw M 10x30	\$2
6243	4	T.E. Screw M 12x25	\$6
6300	4	Hex. Head Bolt M12x40	\$5
6306	4	Hexagonal Nut M10x1.5	\$7
6325	1	Key B 6x6x20	\$5
6339	1	Mech. Seal 25-47-14	\$43
6353	1	Counterface 27-50-10	\$30
6802	1	Pipe PEHD D.90	\$8
6841	1	Rivet 6.5x20	\$4
7135	4	Washer 10x18x2	\$4
8679	2	Foot Elec. Motor 5.5HP	\$109
F476	1	Nut M12x1.75	\$14

