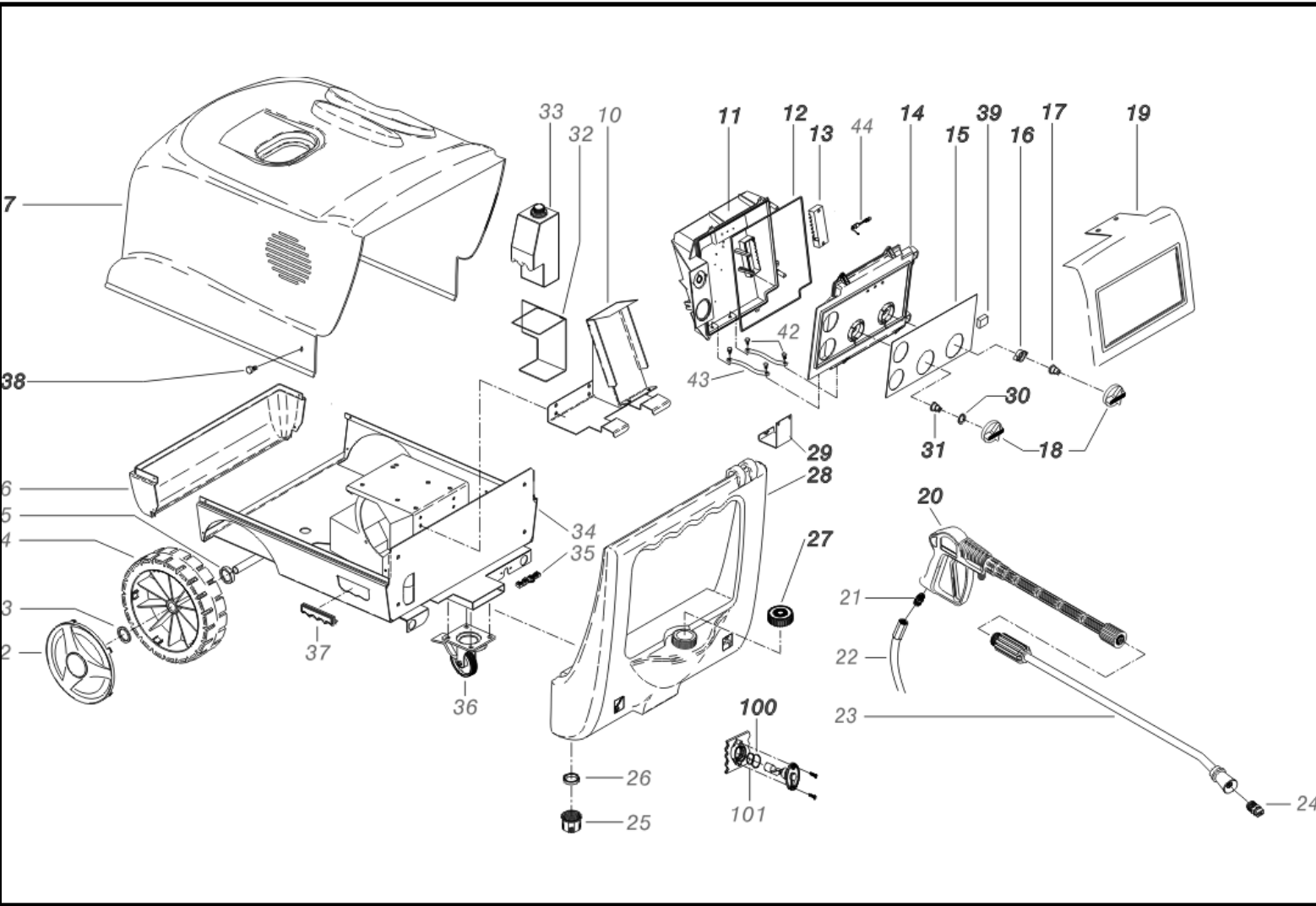


Spare Parts List

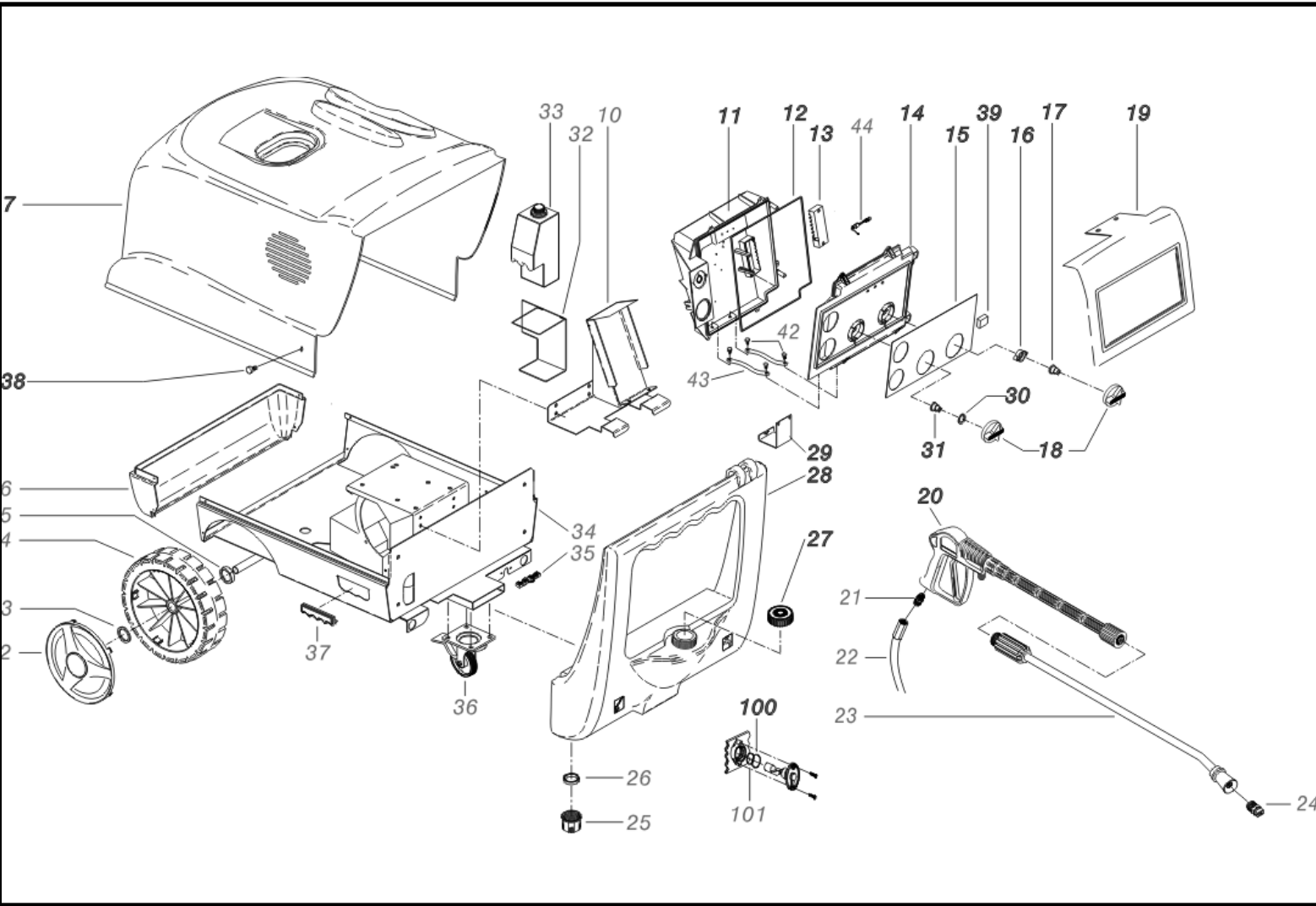
AUSTRALIAN PUMP IND P/L

Ref: IDAC87963

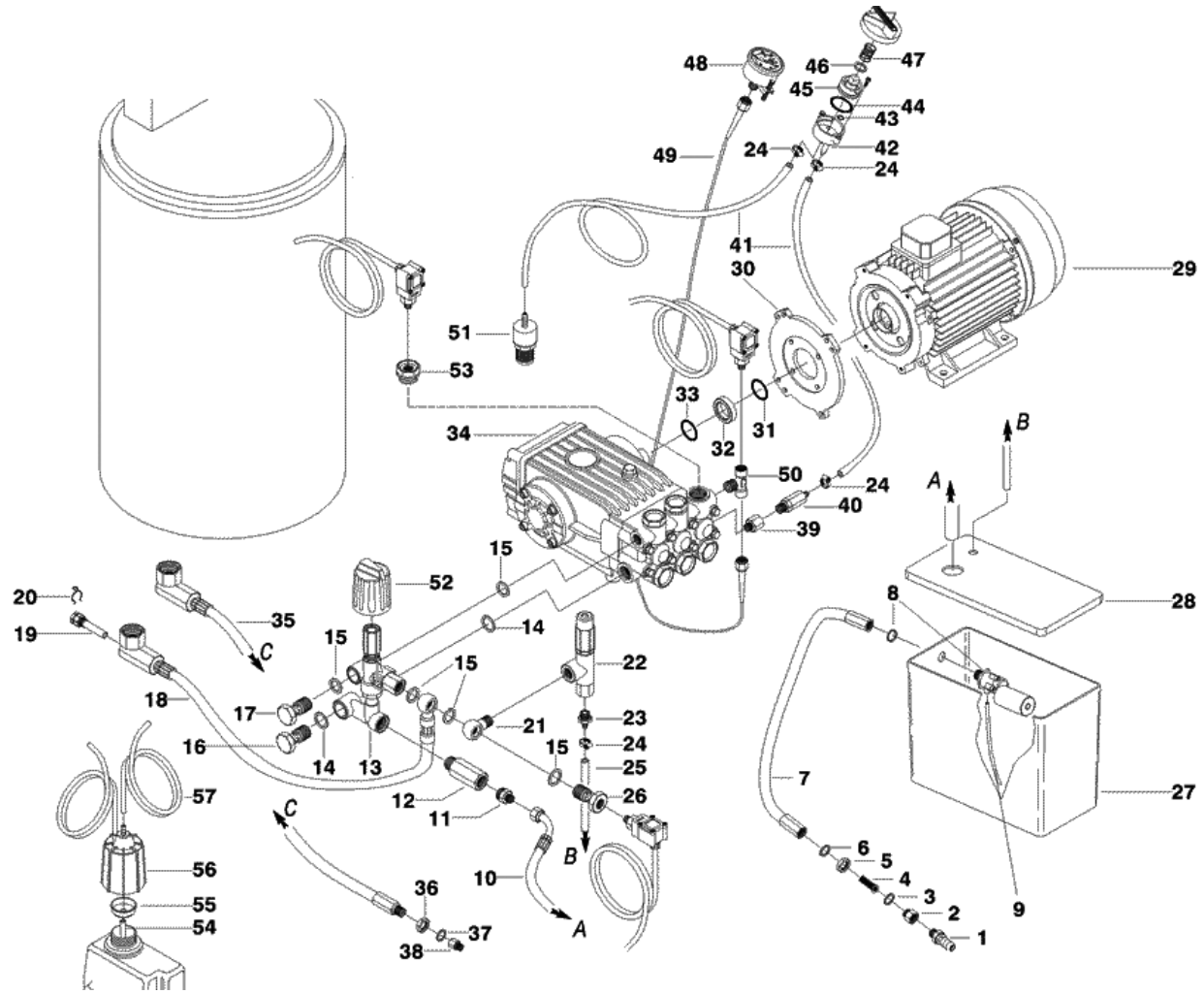
Model: IDROP S.INDY/2 DS 1012 M 240/50 3-04AUS



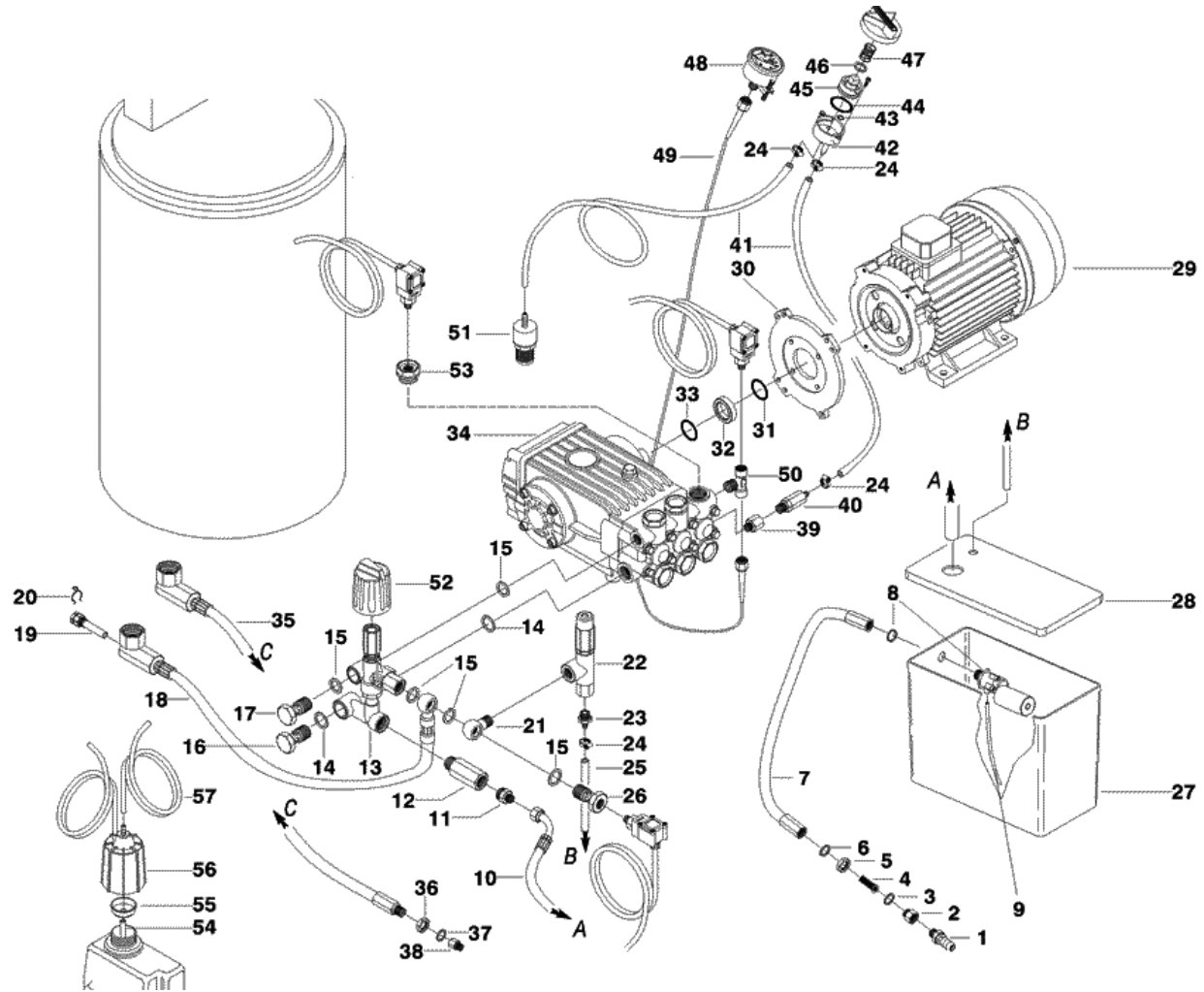
Ref.	K	Part N.	Customer Part N.	Description	Qty	Validity:		Price
						From	To	
0001	LAFN40161			CHASSIS S.INDY/2 CLW-JP 2V.	1,00	12/2008		--
0001	LAFN88667			CHASSIS S.INDY/2 CLW-JP	1,00	07/2005	12/2008	--
0002	MPVR28995			GREY HUB CAP D. 110	2,00	07/2005		--
0002	MPVR87996			HUB CAP D. 250 RT/SPI.2 BL.	2,00		06/2005	--
0003	VTRS09813			WASHER D.25	2,00	07/2005		--
0003	VTRS28558			WASHER D.20	2,00		06/2005	--
0004	RTRT30566			WHEEL D.250-D.25X 88 P. NYL	2,00	07/2005	02/2008	--
0004	RTRT40002			WHEEL D.260 3.00-4 D.25 S.PI.NY	2,00	02/2008		--
0004	RTRT60891			WHEEL D.250X50 D.20 SPI 2	2,00		06/2005	--
0006	MPVR40085			FUEL TANK S.INDY/2 C/BC. PEHD	1,00	04/2009		--
0006	MPVR88774			FUEL TANK S.INDY/2 C/F.G1/2 PEHD	1,00		03/2009	--
0006	MPVR49199			PANEL S.INDY/2 PS	1,00			--
0007	MPVR88960			BLUE COVER S.INDY/2-CLW PS	1,00	12/2005		--
0010	LAFN40167			SUPPORT S.INDY/2 CLW. 2V.	1,00	12/2008		--
0010	LAFN49264			SUPPORT S.INDY/2	1,00		12/2005	--
0010	LAFN88656			SUPPORT S.INDY/2 CLW.	1,00	12/2005	12/2008	--
0011	MPVR33248			CONTROL BOX MISTRAL PP	1,00		07/2005	--
0011	MPVR89016			CONTROL BOX S.INDY/2 PP	1,00	07/2005		--
0012	GUGO11309			JOINT MOUSSE D. 3	1,20			--
0013	MPVR33250			CABLE CLAMP COVMISTRAL	1,00			--
0014	MPVR33249			BOX COVER MISTRAL	1,00		07/2005	--
0014	MPVR89017			BOX COVER S.INDY/2 PP	1,00	07/2005		--
0015	ETET34267			LABEL MST B.P. PVC R	1,00		12/2005	--
0015	ETET89748			LABEL S.INDY MA-LV. PLC	1,00	12/2005		--
0016	MPVR41903			THICKNESS TERM.IM.PA66	1,00			--
0017	MPVR23484			TAIL PIECE THERM.KSM TUV	1,00			--
0018	MPVR40068			BLACK KNOB KSM C/F.FIX BK.	3,00	03/2008		--
0018	MPVR45228			BLACK KNOB KSM	3,00		03/2008	--
0019	LAFN88651			FRAME S.INDY/2 TRM	1,00	12/2005		--
0020	IPPR82544			GRIP SK1 3/8F C/PROL. M 22	1,00		03/2007	--
0020	IPPR89429			GRIP G 4500 - P.330 -M22SW.M V	1,00	03/2007		--
0021	RCDS00610			NIPPLE 3/8 - 3/8 SV	1,00	12/2005		--
0021	RCDS00610			NIPPLE 3/8 - 3/8 SV	1,00		03/2007	--
0021	RCIN09348			MALE COUPLING 3/8MA L=32	1,00	03/2007		--
0022	TBAP25324			H.P. HOSE R1 MT 10 5/16" C/2 IRV ZC	1,00	03/2007		--
0022	TBAP53043			H.P. HOSE 5/16 210B. 8MT 3/8 F-F	1,00		03/2007	--
0023	LCPR12976			EXTENSION P 70	1,00	01/2007		--
0023	LCPR12976			EXTENSION P 70	1,00		01/2007	--
0024	UGLN00044			NOZZLE 1/4 2505	1,00		01/2007	--



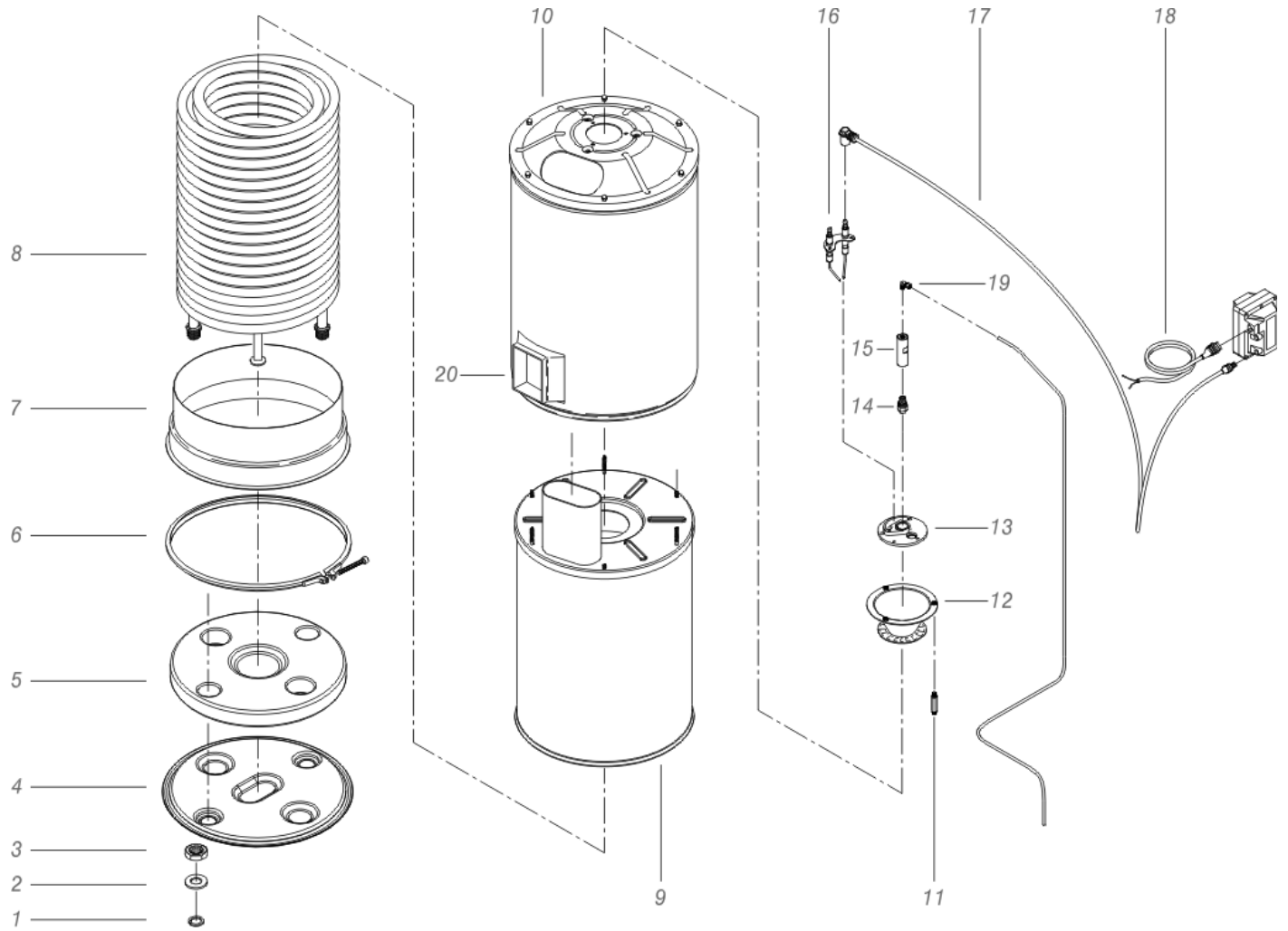
Ref.	K	Part N.	Customer Part N.	Description	Qty	Validity:		Price
						From	To	
0024		UGLN05199		LANCE NOZZLE LECH 1/4 2505	1,00	01/2007		--
0025		PVVR11806		DISCHARGE CAP FLL	1,00			--
0026		MPVR87995		BLUE COVER S.INDY/2	1,00		12/2005	--
0026		GUGO11489		GASKET D.22X1,5	1,00			--
0027		MPVR40573		TANK CAP MHDS-SK	1,00			--
0029		LAFN34423		SUPPORT BRACKETMST.S-P	1,00			--
0030		GUGO23079		V-SEAL RING VA0014 13.5- 15.5	1,00			--
0031		MPVR23482		TAIL PIECE TEC. TUV	1,00			--
0032		LAFN24961		TANK HOLDER ANTIC.GLX	1,00			--
0033		MPVR24959		TANK GLX	1,00			--
0034		LAFN49260		CHASSIS S.INDY/2	1,00		06/2005	--
0035		MEVR33994		CABLE FASTNER 4228 B D. 6- 18	1,00			--
0036		RTRT47975		TURNING WHEEL D.100 P MZ.PLS.	1,00			--
0037		MPVR10058		HANDLE FLL	2,00			--
0042		MPVR89160		PROD D. 7-15 L=15 BK.	4,00	07/2005		--
0043		MPVR89015		PLATE S.INDY/2	2,00	07/2005		--
0060		MEVR27264		FUSE-HOLDER 031-1081	3,00			--
0100		GUGO01197		O-RING D. 22.22 X 2.62 NBR 70SH	1,00	04/2009		--
0101		GUGO01056		O-RING D. 18.72 X 2.62 NBR 70SH	1,00	04/2009		--



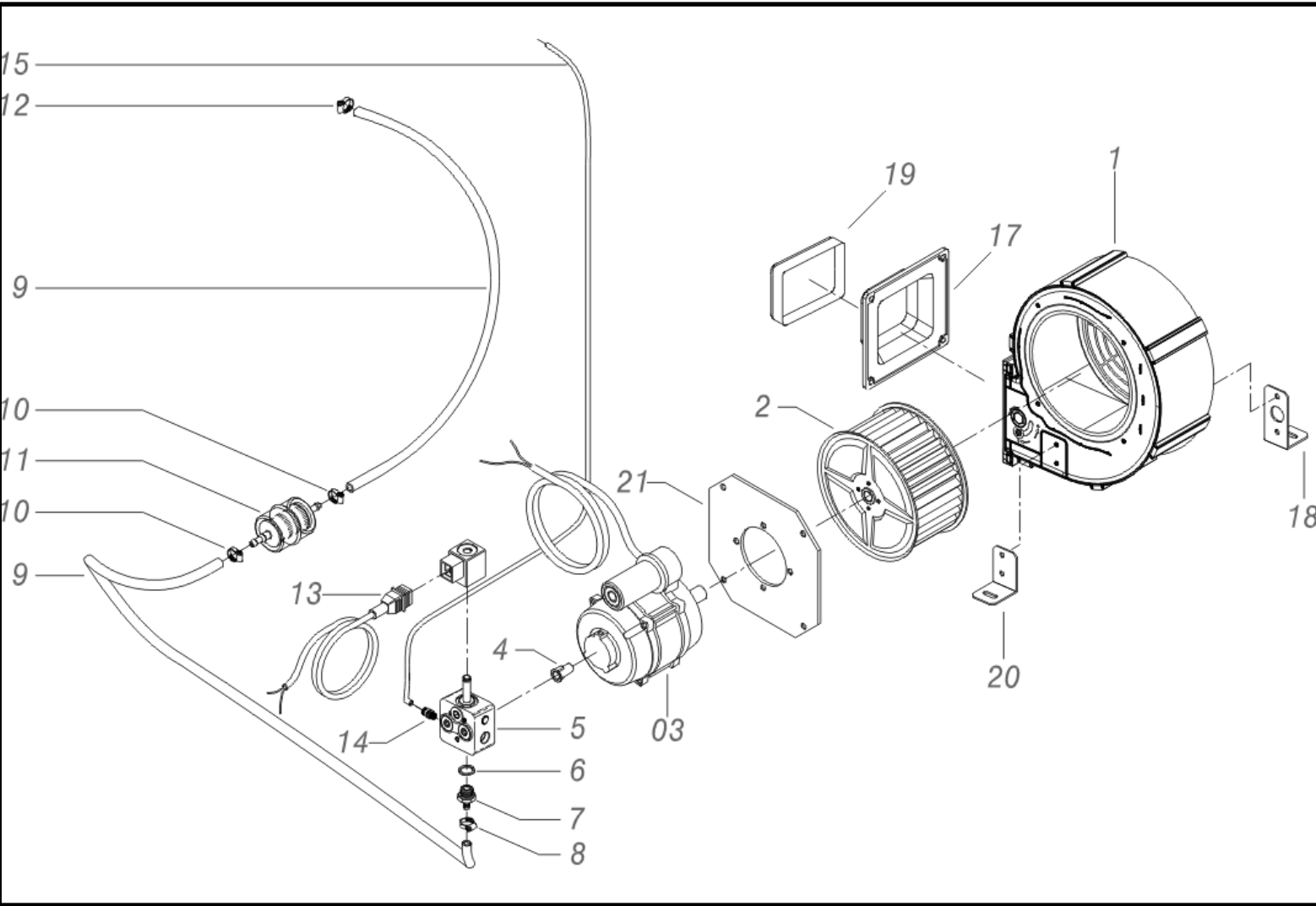
Ref. K	Part N.	Customer Part N.	Description	Qty	Validity:		Price
					From	To	
0001	RCVR29600		SOCKET PTC 3/4 F	1,00	07/2008		--
0002	RCVR37806		REDUCTION PTC 3/4-1/2 M/F	1,00	07/2008		--
0003	GUGO37736		GASKET D. 10- 19 X 5 70SH	1,00	07/2008		--
0004	FTAC30214		FILTER D.15X67	1,00	07/2008		--
0005	RCDS49875		RING NUT 1/2"X 6 CH.27 OT.	1,00			--
0006	VTRS00549		WASHER D.21,5X27X1.5 (1/2) RM	1,00			--
0007	TBBP49338		L.P. HOSE L= 560 3/4F 90°- 1/2M	1,00			--
0008	GUGO89255		GASKET D. 17.5-24 X 2 EPDM	1,00	06/2005		--
0008	RCGR60703		FLOATER MTM 3/4 PP. S/F.	1,00			--
0009	TBBP07631		L.P. HOSE D.10-14	0,10			--
0010	TBBP46848		L.P. HOSE L=400 3/4F 90° -15X26	1,00		09/2005	--
0010	TBBP89300		L.P. HOSE L=400 3/4F 90° -3/8 45°	1,00	09/2005		--
0011	RCDS87610		NIPPLE 3/4 - 1/2 CB D.13.0	1,00	12/2005		--
0012	RCDS17206		SLEEVE 1/2 M/F L= 50-65	1,00		03/2005	--
0013	VVAZ46721		VALVE MV 625 W 99 AC S/IN. REG.	1,00	12/2005		--
0014	VTRS12491		WASHER 1/2	2,00	12/2005		--
0015	VTRS12492		WASHER 3/8	3,00			--
0016	RCDS12486		SCREW G 1/2 L=48.5	1,00	12/2005		--
0017	RCDS12495		SCREW G 3/8 L=48.5	1,00	12/2005		--
0018	TBAP49336		HOSE-FITTING 3/ 8 R2 L=800 3/8O-1/2PMG	1,00			--
0019	RCDS00593		SUMP IM 0-120 L=50	1,00			--
0020	MLML02623		SPRING IMT	1,00			--
0021	RCDS15150		CONNECTOR O. 3/8 - G3/8M L=28.5	1,00			--
0022	VVSC21627		VALVE VS 220 G3/8	1,00		06/2010	--
0022	VVSC40005		VALVE MR 401 G3/8	1,00	06/2010		--
0023	RCDS03514		HOSE FITTING 3/8 M D. 5- 7	1,00			--
0024	FSVR00427		CLAMP D. 12 CLIC 66-110	2,00			--
0025	TBBP04917		L.P. HOSE D. 6- 9	0,28			--
0026	RCDS88103		SCREW G 3/8 - 1/8F L=53	1,00			--
0027	MPVR61359		WATER TANK BK C/F.G3/4	1,00			--
0028	MPVR48151		TANK COVER BK FOR.	1,00			--
0029	MOMO40705		1PH MOTOR GDN HP3 240-50 4P IP SG	1,00		12/2005	--
0029	MOMO88959		1PH MOTOR HP 3 23/240-50 4P H100	1,00	12/2005		--
0030	MFVR21309		COUNTERFLANGE MEC 90-100-112	1,00	12/2005		--
0031	GUGO21339		O-RING D. 29.82 X 2.62 VIT 70SH	1,00		12/2005	--
0032	RCDS25578		BUSHING IP WW141 OT.	1,00		12/2005	--
0032	RCDS26231		BUSHING SIC 3HP	1,00	12/2005		--
0033	GUGO21337		O-RING D. 25.07 X 2.62 VIT 70SH	1,00	12/2005		--
0033	GUGO21337		O-RING D. 25.07 X 2.62 VIT 70SH	1,00		12/2005	--



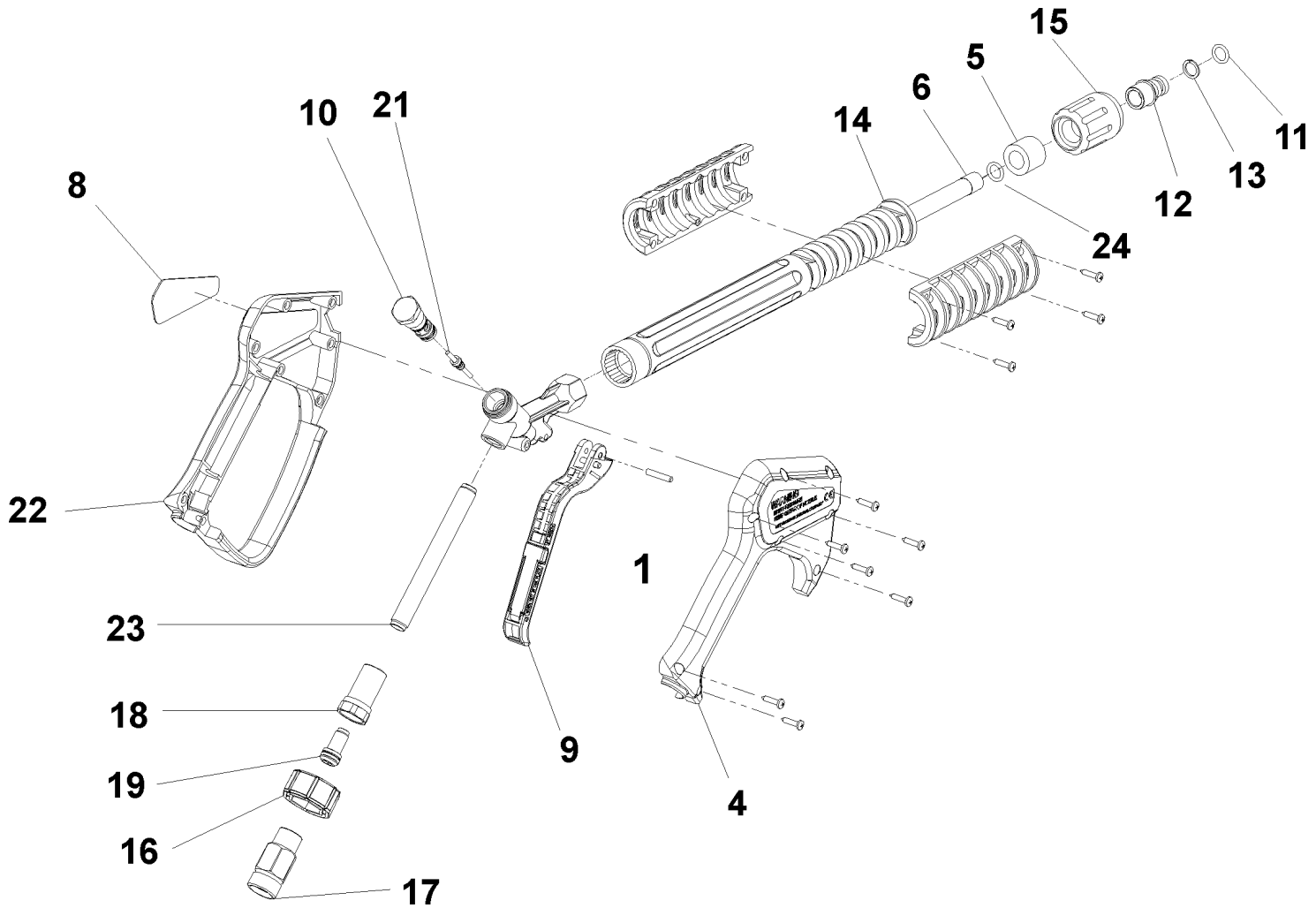
Ref. K	Part N.	Customer Part N.	Description	Qty	Validity:		Price
					From	To	
0034	PPAP33594		PUMP "44" W 112 DX	1,00	12/2005		--
0034	PPAP33594		PUMP "44" W 112 DX	1,00		12/2005	--
0035	TBAP49337		HOSE-FITTING 3/8 R2 L=525 M26+3/8F-P.	1,00			--
0036	RCDS21120		RING NUT M 26 X 1,5	1,00			--
0037	VTRS00548		WASHER D.17,5X23X1,5 (3/8)RM	1,00			--
0039	RCVR02606		REDUCTION 1/2-1/4 M/F	1,00	12/2005		--
0040	VVSF46712		VALVE 1/4M -PG. D.3X7,5	1,00			--
0041	TBBP00051		DETERGENT HOSE D. 6-12	1,30			--
0041	TBBP00051		DETERGENT HOSE D. 6-12	0,80			--
0042	RCGR08069		TAP BODY DET. PRT	1,00			--
0043	GUGO12183		O-RING D. 23.4 X 3.53 VIT 70SH	1,00			--
0044	GUGO08071		O-RING D. 4.48 X 1.78 NBR 70SH	1,00			--
0045	RCGR08070		ADJUSTER PRT	1,00			--
0046	VTRS00542		WASHER D.14X20	1,00			--
0047	MLML08068		SPRING D.1,5 L.23	1,00			--
0048	MNMN49703		PRESSURE GAUGE 0-160 D.50 INOX	1,00			--
0049	TBAP06875		POLYAMIDE HOSE L=840 1/4-1/4 F-F	1,00		03/2007	--
0049	TBAP40007		POLYAMIDE HOSE L=840 1/4 F-F P.MAN.	1,00	03/2007		--
0050	RCDS40589		CONNECTOR T 3/8M - 1/4 M/F OT.	1,00	12/2005		--
0051	FTDT04648		FILTER PG. D.6 PLS	1,00			--
0052	MPVR09436		BLACK KNOB ST 260	1,00			--
0053	RCDS29393		CAP M24X1.5X17 "44" F.1/4	1,00	12/2005		--
0054	TBBP11756		L.P. HOSE D. 4- 6 RILSAN NTR	0,22			--
0055	MPVR18582		CAP D.22	2,00	04/2011		--
0056	MEPD25575		DESCALING PUMP NME-1 24V CPL.	1,00			--
0057	TBBP00058		L.P. HOSE D. 4- 6	1,00			--



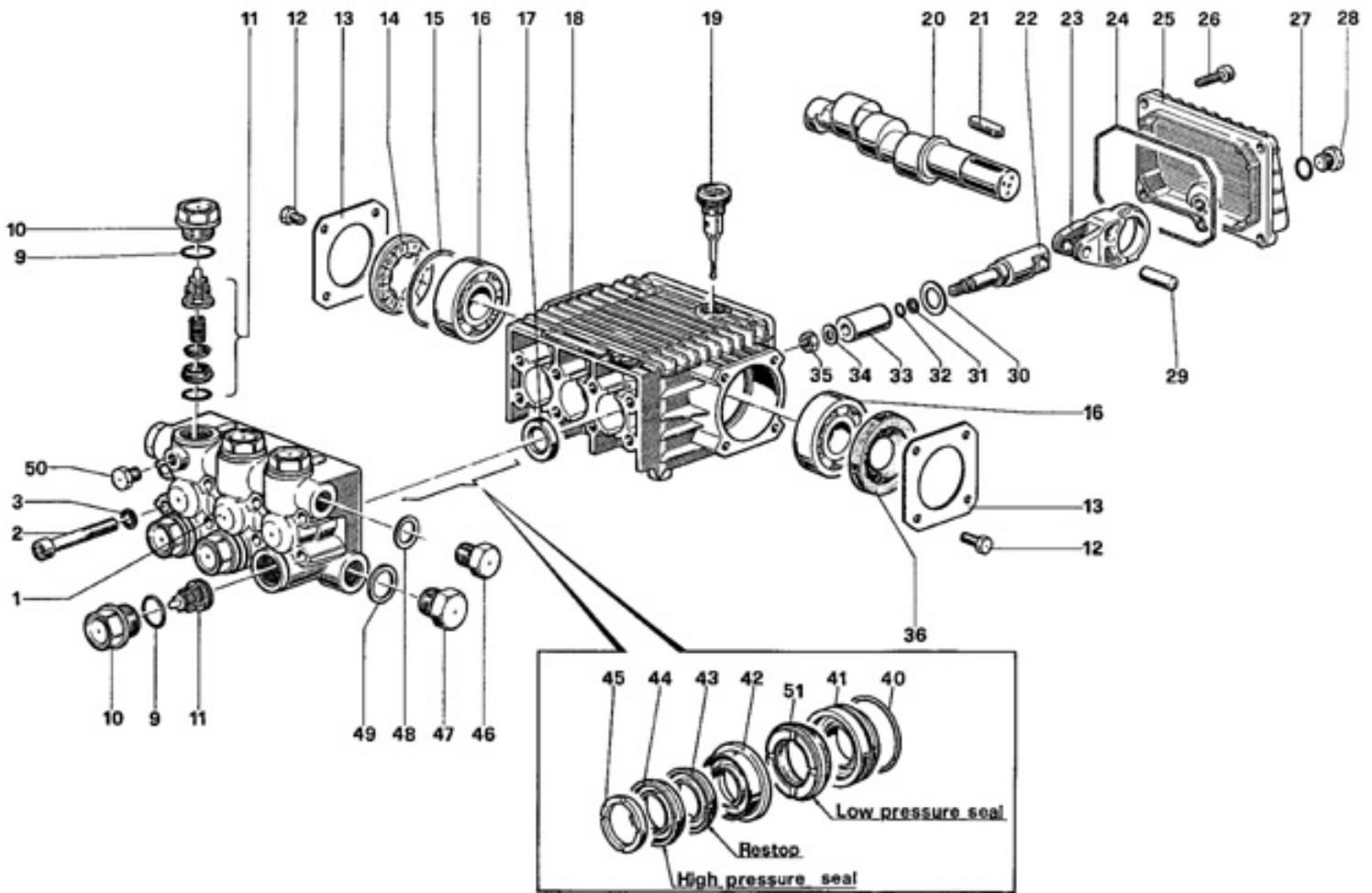
Ref. K	Part N.	Customer Part N.	Description	Qty	Validity: From	To	Price
0001	RCDS21120		RING NUT M 26 X 1,5	2,00			--
0002	GUGO21222		O-RING D. 15.54 X 2.62 VIT 80SH	2,00			--
0003	GUVR21021		ANTI-EXTR.RING D. 21 X17 TEF.	2,00			--
0004	LAFN44149		BOILER BOTTOM P176	1,00	11/2007		--
0005	ITTE44175		BOTTOM P176 C.TE	1,00	11/2007		--
0006	LAFN40037		RING D.342 P176 ZN 2V.CPL.	1,00	11/2007		--
0006	LAFN44150		RING D.345 P176 ZN	1,00		06/2007	--
0007	LAFN44151		BAND P176 INX	1,00	11/2007		--
0008	LAFN44157		DOUBLE COIL M26X1.5 P176 24M	1,00	11/2007		--
0009	LAFN46225		INT. CYLINDER P176 CP.INX	1,00	11/2007		--
0009	LAFN46225		INT. CYLINDER P176 CP.INX	1,00		10/2007	--
0010	LAFN40034		EXT. CYLINDER P176-FR/2 CP.	1,00	11/2007		--
0011	LAFN44159		PIN CH.10 X 75.7 M5M/M5M P176	3,00	11/2007		--
0012	LAFN44244		BAFFLE P176 30M INX	1,00			--
0013	MFVR44251		ELECTR.HOLDER P176	1,00			--
0014	UGBR22576		BURNER NOZZLE 1.35 60 S	1,00			--
0015	RCDS07642		NOZZLE HOLDER FUT	1,00			--
0016	MECA12525		ELECTRODE FUT	1,00			--
0017	MECV35336		CABLE A.T. 9,8-23KOHM/M L= 750P	2,00			--
0018	MECB89638		CABLE BT L=1000 SP.	1,00			--
0019	RCVR08954		ELBOW 1/8"-4 B5	1,00			--
0020	MPVR40013		CONVEYOR P176-FBX PA6 BK.	1,00	01/2010		--



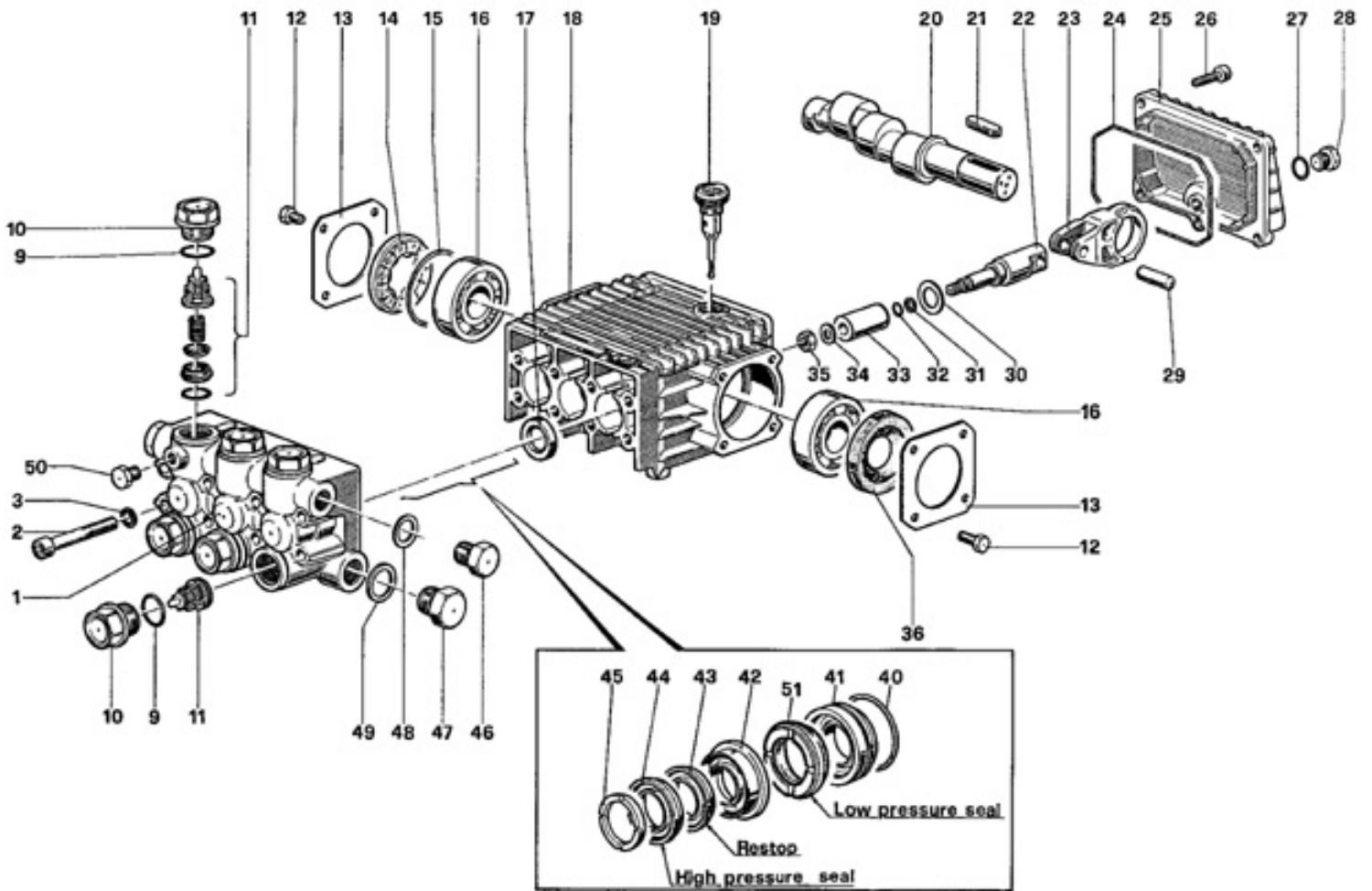
Ref. K	Part N.	Customer Part N.	Description	Qty	Validity: From	To	Price
0001	MPVR40010		SCROLL CB4 -2PZ.CP	1,00	12/2008		--
0002	VEVR34275		IMPELLER D.160-80 D.12.7 36P B.SX	1,00	12/2008		--
0003	MOMB40002		BURNER MOTOR 230-50 IP44 110W AO+CNN	1,00	12/2008		--
0004	KTRI36516		KIT P 18- 9	1,00			--
0005	FTCO88927		FUEL FILTER S.AL	1,00			--
0005	PPGS40010		FUEL PUMP DNF BFA 01L3R1	1,00	04/2010		--
0005	PPGS88084		FUEL PUMP DLT ALLUM. A1L1	1,00	12/2008	03/2010	--
0006	VTRS04931		WASHER COPPER D.13X19X1.5	1,00	12/2008		--
0007	RCDS00626		HOSE FITTING 1/4 M D. 5- 7	1,00	12/2008		--
0008	FSVR00427		CLAMP D. 12 CLIC 66-110	2,00			--
0009	TBCO06945		L.P. HOSE D. 6-12 10BAR C.PRESS	0,13			--
0010	FSVR11197		CLAMP D.I. 11 13315	1,00			--
0011	FTCO34840		FUEL FILTER FB 7/A NYL.	1,00		04/2010	--
0011	FTCO40003		FUEL FILTER FB 7/TA 60mc NYL.	1,00	04/2010		--
0012	FSVR00427		CLAMP D. 12 CLIC 66-110	1,00			--
0013	MECB18118		CABLE DLT L=1.600	1,00			--
0014	RCVR14014		BI-CONE CONNEC.DTT 1/8"M B1 D. 2/ 4 NIK	1,00	12/2008		--
0015	TBCO49339		DIESEL HOSE INDY/2 D. 4	1,00			--
0017	MPVR40041		CONVEYOR P176-CB4 PA6 BK.	1,00	12/2008		--
0018	LAFN40164		BRACKET S.INDY/2 DX ZC.	1,00	12/2008		--
0019	GUGO20124		GASKET KSM	1,00	12/2008		--
0020	LAFN40165		BRACKET S.INDY/2 SX ZC.	1,00	12/2008		--
0021	LAFN10272		MOTOR PLATE CB 3	1,00	12/2008		--



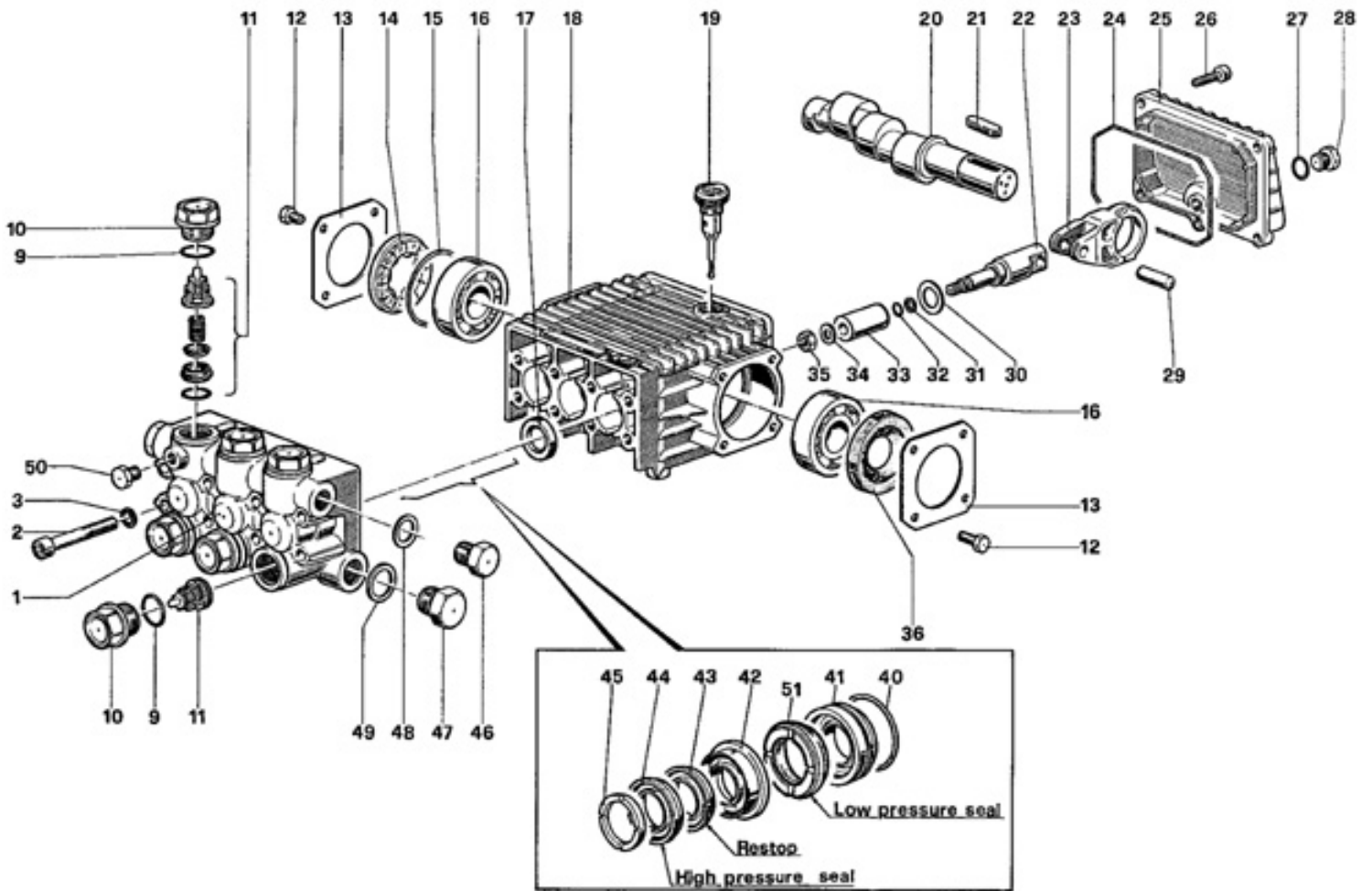
Ref. K	Part N.	Customer Part N.	Description	Qty	Validity:		Price
					From	To	
0001	VTVR46568		PLUG G 4500	1,00			--
0004	MPVR40157		COVER G 4500 2V.	1,00	05/2008		--
0004	MPVR46563		COVER G 4500	1,00		04/2008	--
0005	MPVR46572		SPACER P 330 ST	1,00			--
0006	LCPR40007		TUBE 1/4 L=352 ZC. 2V.	1,00	05/2008		--
0006	LCPR46571		TUBE 1/4 L=352 ZC.	1,00		04/2008	--
0008	MPVR46569		PLATE G 4500 RD.	1,00			--
0009	MPVR40057		TRIGGER G 4500 -SW	1,00			--
0010	PVVR40030		SMALL PISTON TM ST-2300	1,00			--
0011	GUGO10384		O-RING D. 10 X 2.2 VIT 80SH	1,00			--
0012	RCVR13030		GUDGEON G 1/4 F L=31.5	1,00			--
0013	GUVR10526		ANTI-EXTR.RING D.13.9X10.2 C.BZ	1,00			--
0014	MPVR46570		PROTECTION P 330 ST	1,00			--
0015	PVVR13445		CONNECTION M 22X1,5 L=45	1,00			--
0016	MPVR40058		RING NUT G4500 SW.	1,00			--
0017	RCIN40001		JOINT SWIV 4500 3/8"F	1,00		04/2008	--
0017	RCIN40005		JOINT SWIV 4500 3/8"F 2V.	1,00	05/2008		--
0018	RCIN31641		CONNECTOR SWIV 1500 F	1,00			--
0019	KTRI31645		KIT P 26- 14	1,00			--
0021	PVVR40031		ROD ST-2300	1,00			--
0022	MPVR40156		SHELL G 4500 2V.	1,00	05/2008		--
0022	MPVR46562		SHELL G 4500	1,00		04/2008	--
0023	PVVR40023		TUBE G 1/4" M/M P/SW.	1,00			--
0024	GUGO27021		O-RING D. 11 X 2.5 EPD 70SH	1,00	05/2008		--



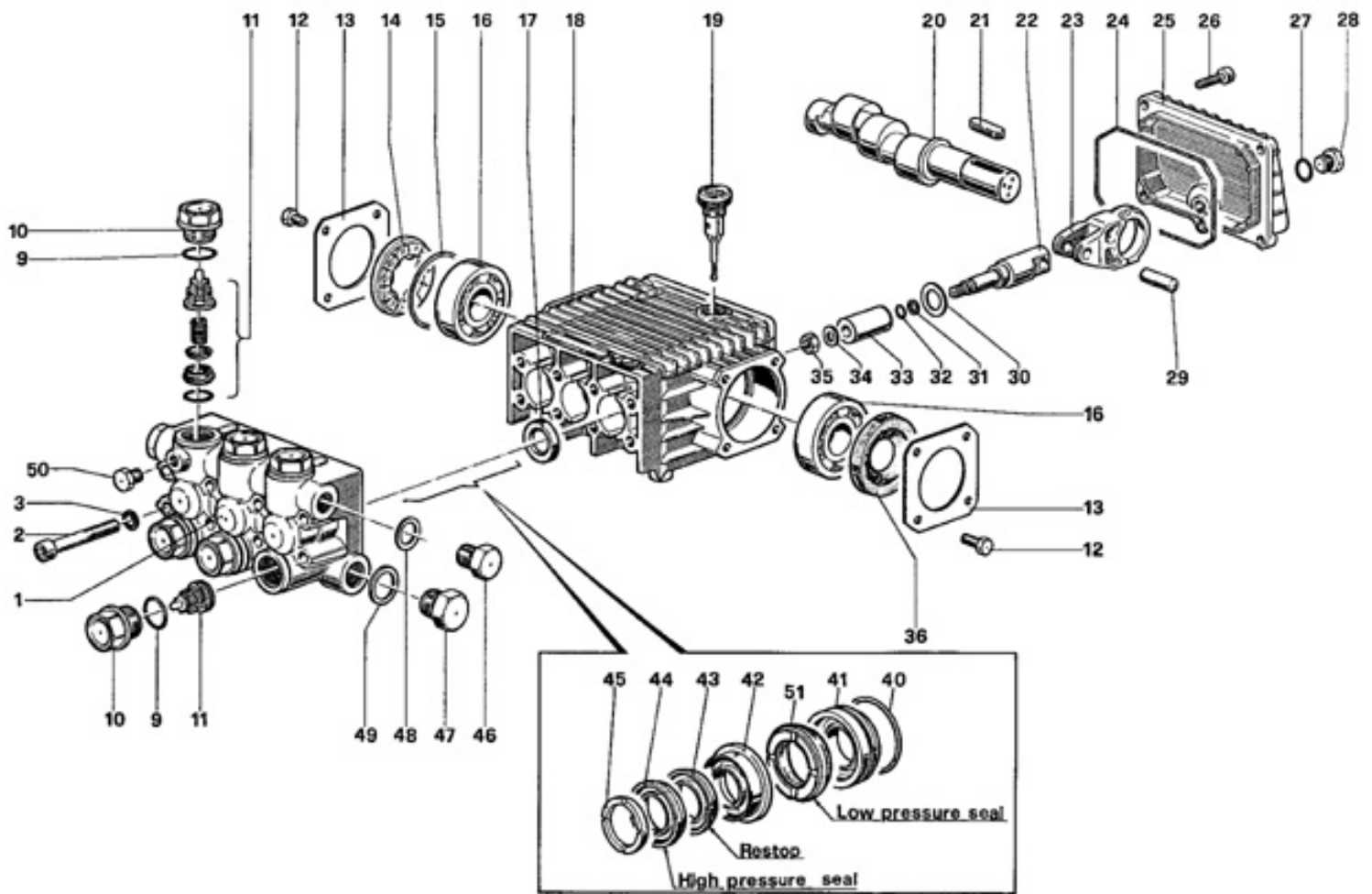
Ref.	K	Part N.	Customer Part N.	Description	Qty	Validity:		Price
						From	To	
0001		MFVR35540		HEAD "44" WW D.18 OT	1,00			--
0002		VTVT01121		SCREW TCEI 8X60 UNI5931	8,00			--
0003		VTRS01072		WASHER D. 8 TC	8,00			--
0009	S	GUGO19395		O-RING D. 20.24 X 2.62 NBR 70SH	6,00			--
0010	S	RCDS28466		CAP M24X1.5X17 "44"	6,00			--
0011	S	VVAM28467		VALVE UNIT "44" WW136-186	6,00			--
0012		VTVT01109		SCREW TE M 6X 10 ZC. UNI 5739	8,00			--
0013		MFVR03562		CRANKASE COVER W 70	2,00			--
0014		MFVR28454		SPACER "44"	1,00			--
0015		GUGO01040		O-RING D. 55.56 X 3.53 NBR 70SH	1,00			--
0016		CUVR09654		BALL BEARING 6305	2,00			--
0017	S	GUGO01001		OIL SEAL 20X 30X 5 NBR70	3,00			--
0018		MFVR28453		PUMP CRANKCASE "44"	1,00			--
0019		PVVR01089		OIL DIPSTICK W 70	1,00			--
0020		ALMO28463		SHAFT "44" WW 156	1,00			--
0021		VTVR09510		KEY 8X7X35	1,00			--
0022		PVVR28457		PISTON GUIDE "44"	3,00			--
0023		BLVR28459		CONNECTING ROD "44"	3,00			--
0024		GUGO18695		O-RING D. 101.27 X 2.62 NBR 70SH	1,00			--
0025		MFVR28460		CRANKASE COVER "44"	1,00			--
0026		VTVT01114		SCREW TCEI 6X14 UNI 5931	5,00			--
0027		GUGO01036		O-RING D. 10.82 X 1.78 NBR 70SH	1,00			--
0028		RCDS01088		CAP 1/4X 9 M WW90	1,00			--
0029		PVVR28458		GUDGEON D.10X29.5 "44"	3,00			--
0030		VTRS28456		WASHER D.16 X28 X1 PVC	3,00			--
0031		GUVR10257		ANTI-EXTR.RING WW161	3,00			--
0032		GUGO01055		O-RING D. 5.28 X 1.78 VIT 70SH	3,00			--
0033		PIVR28455		PISTON D.18 "44"	3,00			--
0034		VTRS09321		WASHER D. 8X13X1	3,00			--
0034		VTRS46027		WASHER D. 8 C/CLL.	3,00	07/2002	07/2002	--
0035		VTDD04284		NUT M8X1,25 X13X5 S2 INX	3,00			--
0036		GUGO28465		OIL SEAL 25X 62X10 NBR70	1,00			--
0040	S	GUGO01039		O-RING D. 31.47 X 1.78 NBR 70SH	3,00			--
0041	S	PVVR28506		PACKING RETAIN.D. 18 "44"	3,00			--
0042	S	PVVR28504		INTERMED. RING D. 18 "44"	3,00			--
0043	S	GUVR28503		PACKING D. 18 RESTOP	3,00			--
0044	S	GUVR28502		PACKING D. 18	3,00			--
0045	S	PVVR28501		HEAD RING D. 18 "44"	3,00			--
0046		RCDS01090		CAP 3/8X13 M WW90	1,00			--



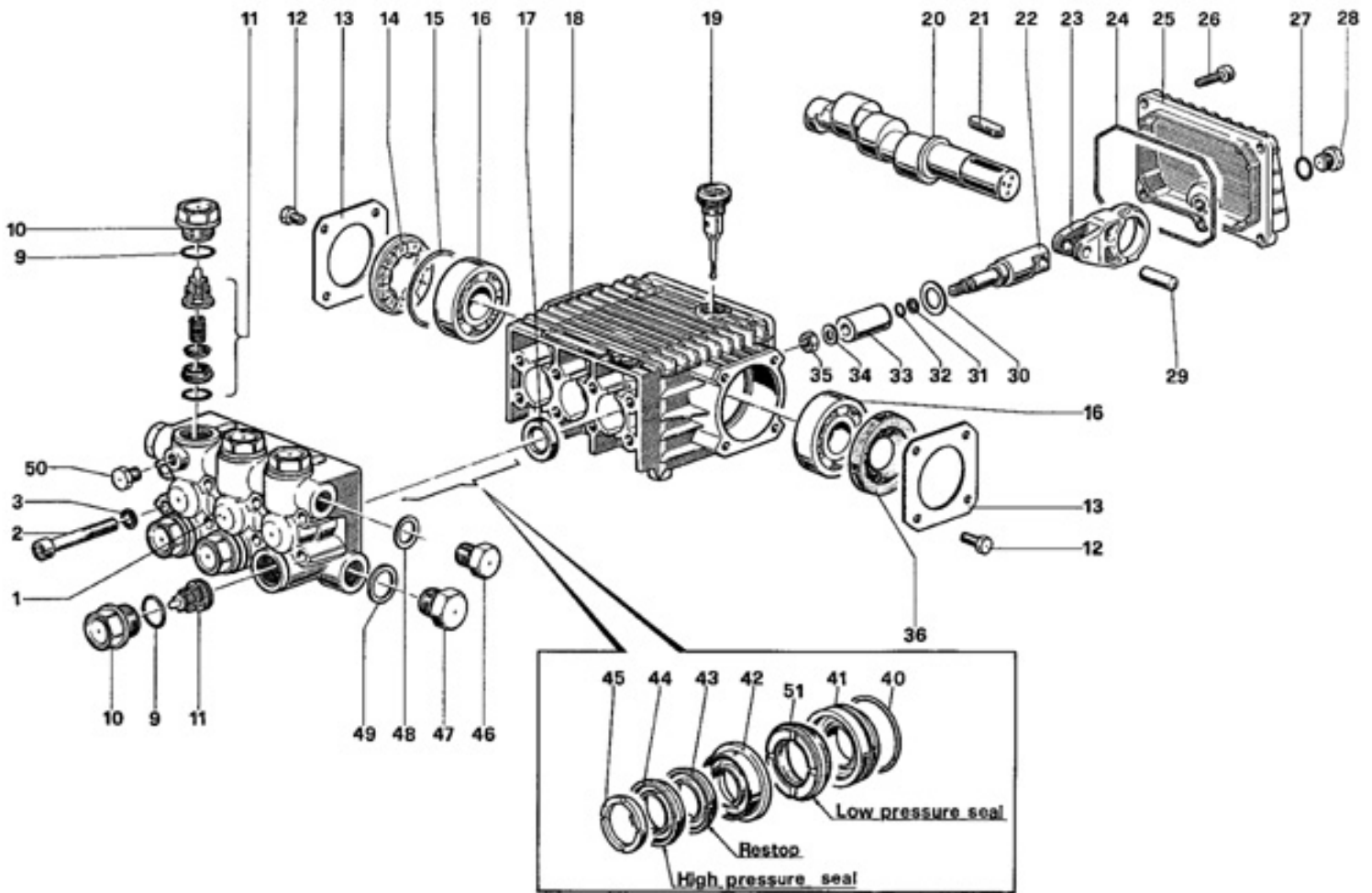
Ref.	K	Part N.	Customer Part N.	Description	Qty	Validity:		Price
						From	To	
0047		RCDS01091		CAP 1/2X10 M	1,00			--
0048		VTRS01074		WASHER D.17,05X22,3 X1,5	1,00			--
0049		VTRS01075		WASHER D.21,5X27 ALL	1,00			--
0050		RCDS09704		CAP G 1/8 KR	1,00			--
0051	S	GUVR34583		PACKING D. 18 L.P.	3,00			--



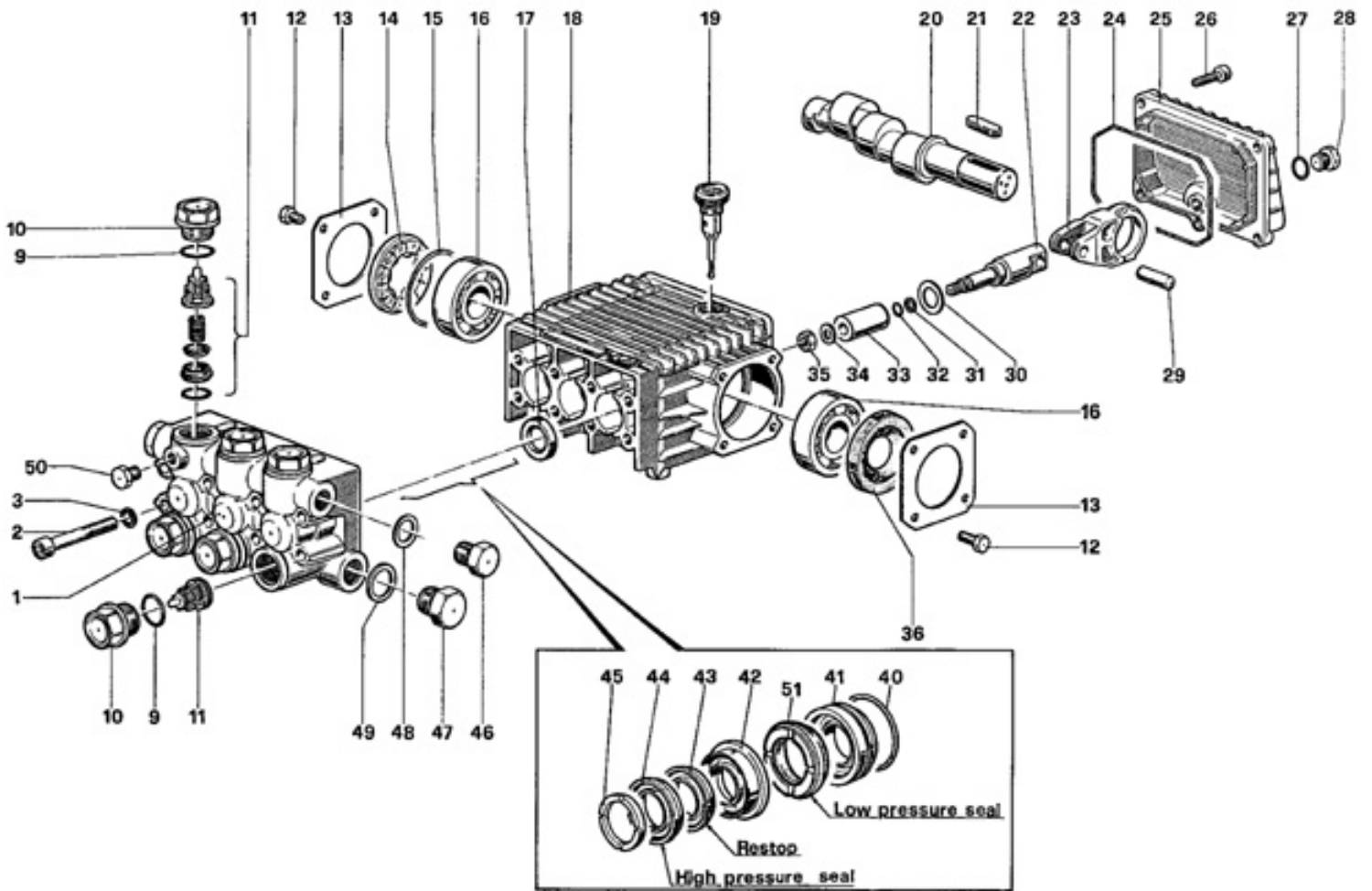
Ref. Part N.	Cust. Part N.	Description	Reference	Price
KTRI18585	KIT P	23	0017	--
KTRI28508	KIT P	15-123	0011	--
KTRI28510	KIT P	15-124	0009 0010	--
KTRI28514	KIT P	15-126	0040 0041	--
KTRI28516	KIT P	127	0043 0044 0051	--
KTRI28518	KIT P	128	0042	--
KTRI28520	KIT P	129	0045	--
KTRI28524	KIT P	131	0040 0041 0042 0043 0044 0045 0051	--



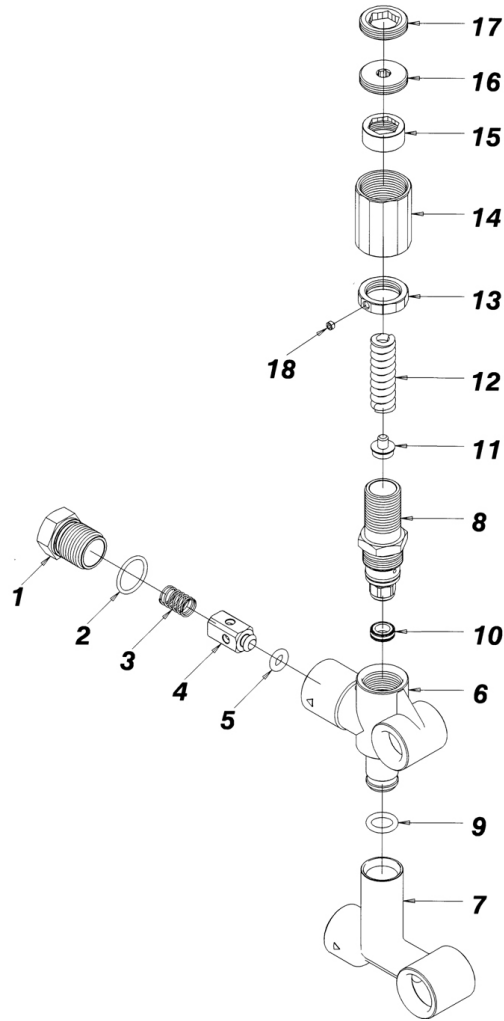
Ref.	K	Part N.	Customer Part N.	Description	Qty	Validity: From	To	Price
0001		MFVR35540		HEAD "44" WW D.18 OT	1,00			--
0002		VTVT01121		SCREW TCEI 8X60 UNI5931	8,00			--
0003		VTRS01072		WASHER D. 8 TC	8,00			--
0009	S	GUGO19395		O-RING D. 20.24 X 2.62 NBR 70SH	6,00			--
0010	S	RCDS28466		CAP M24X1.5X17 "44"	6,00			--
0011	S	VVAM28467		VALVE UNIT "44" WW136-186	6,00			--
0012		VTVT01109		SCREW TE M 6X 10 ZC. UNI 5739	8,00			--
0013		MFVR03562		CRANKASE COVER W 70	2,00			--
0014		MFVR28454		SPACER "44"	1,00			--
0015		GUGO01040		O-RING D. 55.56 X 3.53 NBR 70SH	1,00			--
0016		CUVR09654		BALL BEARING 6305	2,00			--
0017	S	GUGO01001		OIL SEAL 20X 30X 5 NBR70	3,00			--
0018		MFVR28453		PUMP CRANKCASE "44"	1,00			--
0019		PVVR01089		OIL DIPSTICK W 70	1,00			--
0020		ALMO28463		SHAFT "44" WW 156	1,00			--
0021		VTVR09510		KEY 8X7X35	1,00			--
0022		PVVR28457		PISTON GUIDE "44"	3,00			--
0023		BLVR28459		CONNECTING ROD "44"	3,00			--
0024		GUGO18695		O-RING D. 101.27 X 2.62 NBR 70SH	1,00			--
0025		MFVR28460		CRANKASE COVER "44"	1,00			--
0026		VTVT01114		SCREW TCEI 6X14 UNI 5931	5,00			--
0027		GUGO01036		O-RING D. 10.82 X 1.78 NBR 70SH	1,00			--
0028		RCDS01088		CAP 1/4X 9 M WW90	1,00			--
0029		PVVR28458		GUDGEON D.10X29.5 "44"	3,00			--
0030		VTRS28456		WASHER D.16 X28 X1 PVC	3,00			--
0031		GUVR10257		ANTI-EXTR.RING WW161	3,00			--
0032		GUGO01055		O-RING D. 5.28 X 1.78 VIT 70SH	3,00			--
0033		PIVR28455		PISTON D.18 "44"	3,00			--
0034		VTRS09321		WASHER D. 8X13X1	3,00		07/2002	--
0034		VTRS46027		WASHER D. 8 C/CLL.	3,00	07/2002		--
0035		VTDD04284		NUT M8X1,25 X13X5 S2 INX	3,00			--
0036		GUGO28465		OIL SEAL 25X 62X10 NBR70	1,00			--
0040	S	GUGO01039		O-RING D. 31.47 X 1.78 NBR 70SH	3,00			--
0041	S	PVVR28506		PACKING RETAIN.D. 18 "44"	3,00			--
0042	S	PVVR28504		INTERMED. RING D. 18 "44"	3,00			--
0043	S	GUVR28503		PACKING D. 18 RESTOP	3,00			--
0044	S	GUVR28502		PACKING D. 18	3,00			--
0045	S	PVVR28501		HEAD RING D. 18 "44"	3,00			--
0046		RCDS01090		CAP 3/8X13 M WW90	1,00			--



Ref.	K	Part N.	Customer Part N.	Description	Qty	Validity:		Price
						From	To	
0047		RCDS01091		CAP 1/2X10 M	1,00			--
0048		VTRS01074		WASHER D.17,05X22,3 X1,5	1,00			--
0049		VTRS01075		WASHER D.21,5X27 ALL	1,00			--
0050		RCDS09704		CAP G 1/8 KR	1,00			--
0051	S	GUVR34583		PACKING D. 18 L.P.	3,00			--



Ref. Part N.	Cust. Part N.	Description	Reference	Price
KTRI18585	KIT P	23	0017	--
KTRI28508	KIT P	15-123	0011	--
KTRI28510	KIT P	15-124	0009 0010	--
KTRI28514	KIT P	15-126	0040 0041	--
KTRI28516	KIT P	127	0043 0044 0051	--
KTRI28518	KIT P	128	0042	--
KTRI28520	KIT P	129	0045	--
KTRI28524	KIT P	131	0040 0041 0042 0043 0044 0045 0051	--



Ref. K	Part N.	Customer Part N.	Description	Qty	Validity:		Price
					From	To	
0001	PVVR47977		CONNECTOR MV625 G 3/8F	1,00			--
0002	GUGO01058		O-RING D. 17.17 X 1.78 NBR 70SH	1,00			--
0003	MLML47978		SPRING MV 625	1,00			--
0004	PVVR47979		PIN MV 625	1,00			--
0005	GUGO46053		O-RING D. 6 X 3 NBR 90SH	1,00			--
0006	PVVR47980		VALVE BODY MV 625	1,00			--
0007	PVVR47981		CONNECTOR MV 625 H.63	1,00			--
0008	PVVR47988		CONNECTOR MV 625 REG.	1,00			--
0009	GUGO11225		O-RING D. 10.78 X 2.62 NBR 70SH	1,00			--
0010	PVVR47985		VALVE SEAT MV 625 + O-RING	1,00			--
0011	PVVR47986		SPRING PLATE MV 625	1,00			--
0012	MLML47987		SPRING D. 3.25X41.1 MV 625	1,00			--
0013	PVVR47984		RING NUT MV 625	1,00			--
0014	PVVR47989		CAP MV 625 REG.	1,00			--
0015	PVVR47990		RING NUT MV 625 REG.	1,00			--
0016	PVVR47991		REGISTER MV 625 REG.	1,00			--
0017	PVVR47992		CLAMP MV 625 REG.	1,00			--
0018	VTVT24918		SCREW EI-ST 4X 4 UNI5927	1,00			--