

Model AUSSIE BLACK BOX

Version:

Serial number:

Code:

13991

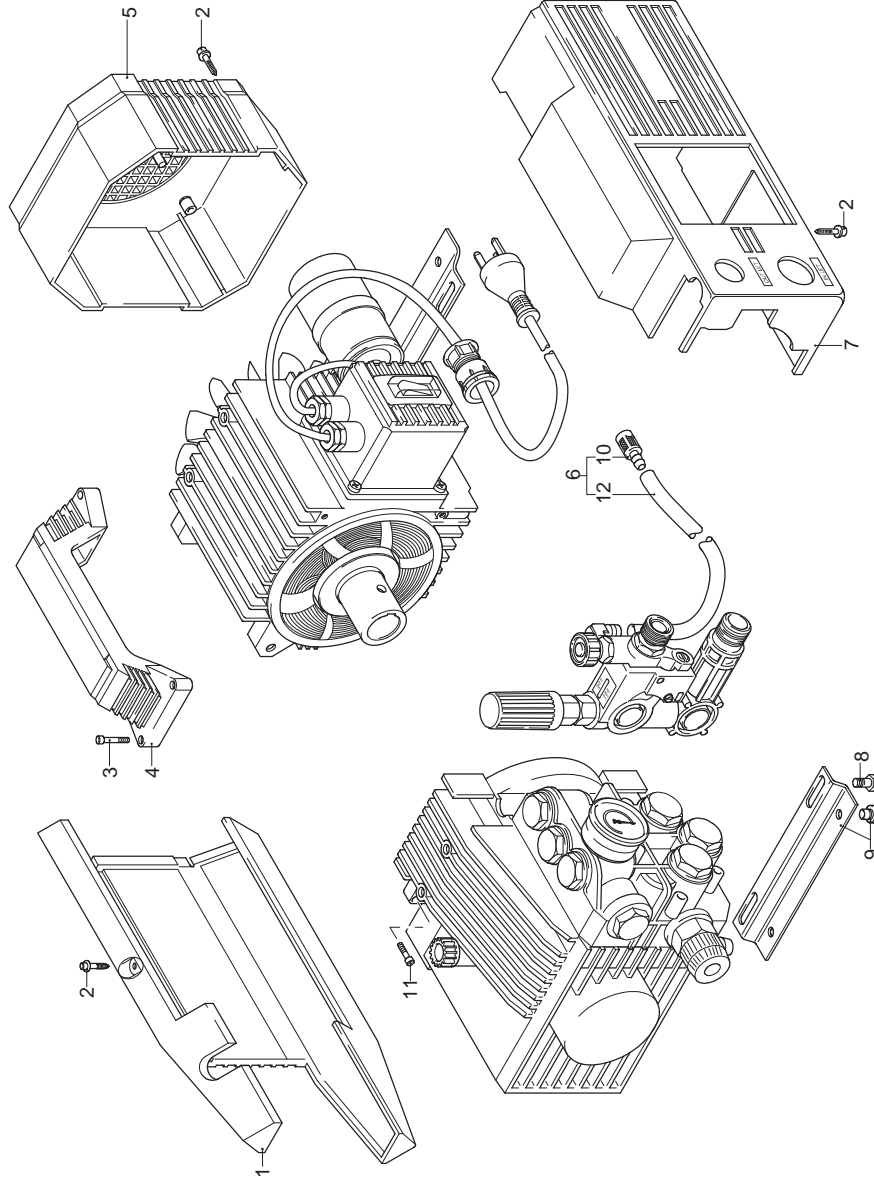
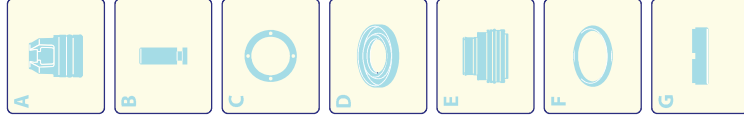
26/02/2015



240 V - 50 Hz

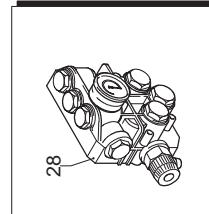
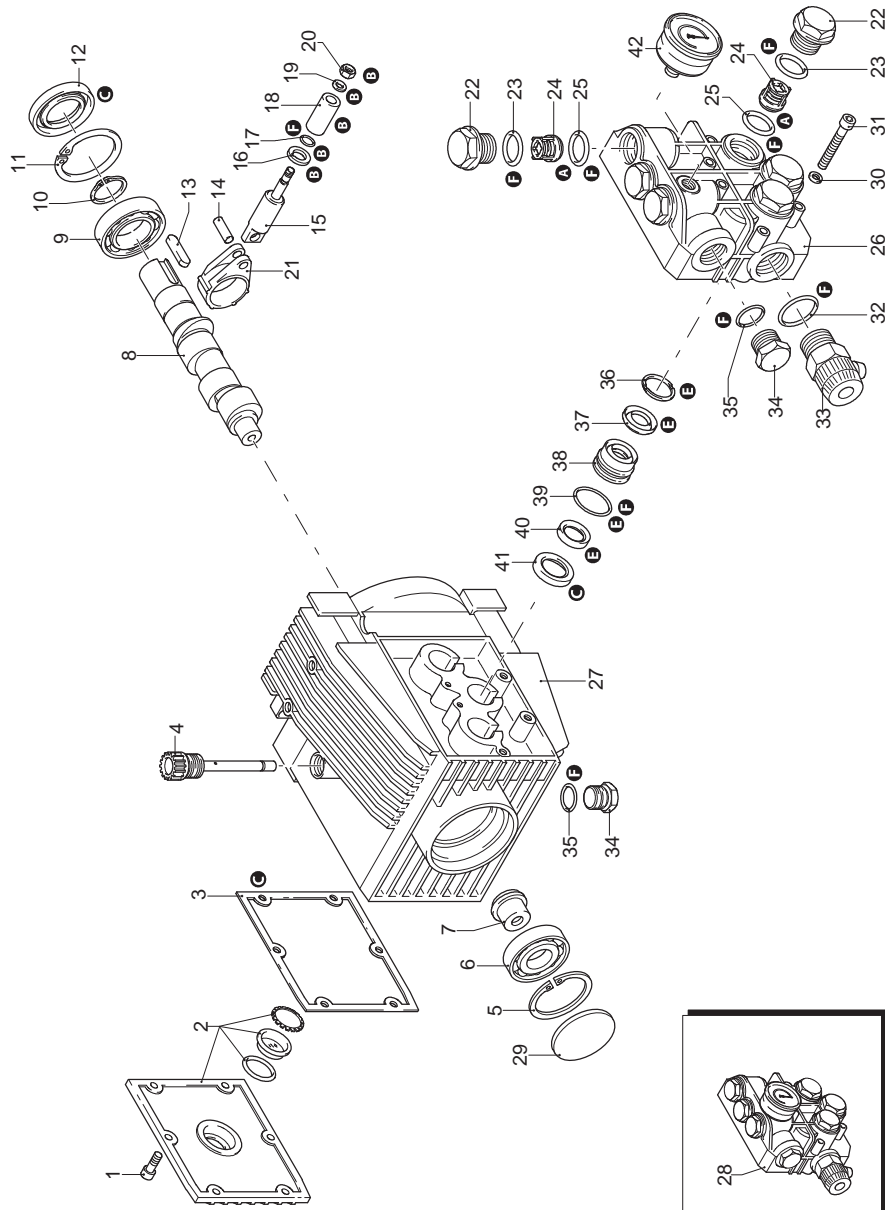
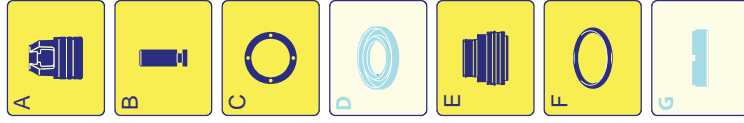


AS/NZS



| Validity | Pos. | Code | Description | Q |
|----------|------|---------|----------------|---|
| | 1 | 1260273 | Casing | 1 |
| | 2 | 1261551 | Screw | 8 |
| | 3 | 180030 | Screw | 4 |
| | 4 | 1260710 | Handle | 1 |
| | 5 | 1261760 | Fan cowlring | 1 |
| | 6 | 1269115 | Hose assembly | 1 |
| | 7 | 1264623 | Casing | 1 |
| | 8 | 1260470 | Screw | 4 |
| | 9 | 1260830 | Foot | 2 |
| | 10 | 1341030 | Filter | 1 |
| | 11 | 1260780 | Screw | 4 |
| | 12 | 1262790 | Detergent hose | 1 |

26/02/2015

240 V - 50 Hz
AS/NZS


| Validity | Pos. | Code | Description | Q |
|----------|------|---------|----------------|---|
| | 1 | 1260760 | Screw | 6 |
| | 2 | 1269101 | Cover | 1 |
| | 3 | 1260040 | Oil seal | 1 |
| | 4 | 1260480 | Plug | 1 |
| | 5 | 1260790 | Ring | 1 |
| | 6 | 1320370 | Bearing | 1 |
| | 7 | 1320330 | Bushing | 1 |
| | 8 | 1260190 | Shaft | 1 |
| | 9 | 1320370 | Bearing | 1 |
| | 10 | 1260770 | Ring | 1 |
| | 11 | 1260790 | Ring | 1 |
| | 12 | 1260750 | Ring | 1 |
| | 13 | 1380520 | Key | 1 |
| | 14 | 1260080 | Pin | 3 |
| | 15 | 1260070 | Piston | 3 |
| | 16 | 1260091 | Plate | 3 |
| | 17 | 480480 | O-ring | 3 |
| | 18 | 1260210 | Piston | 3 |
| | 19 | 1260100 | Washer | 3 |
| | 20 | 1260110 | Nut | 3 |
| | 21 | 1320140 | Connecting-rod | 3 |
| | 22 | 1260162 | Plug | 6 |
| | 23 | 960160 | O-ring | 6 |
| | 24 | 1269050 | Complete valve | 6 |
| | 25 | 880830 | O-ring | 6 |
| | 26 | 1320022 | Head | 1 |
| | 27 | 1260012 | Pump body | 1 |
| | 28 | 1269253 | Head assembly | 1 |
| | 29 | 1266740 | Oil seal | 1 |
| | 30 | 1381550 | Washer | 6 |
| | 31 | 680570 | Screw | 6 |
| | 32 | 180101 | O-ring | 1 |
| | 33 | 50129 | Valve | 2 |
| | 34 | 1980740 | Plug | 2 |
| | 35 | 740290 | O-ring | 2 |
| | 36 | 1320340 | Ring | 3 |
| | 37 | 1780720 | Water seal | 3 |
| | 38 | 1320351 | Piston guide | 3 |
| | 39 | 1260420 | O-ring | 3 |
| | 40 | 1260450 | Water seal | 3 |
| | 41 | 1260460 | Oil seal | 3 |
| | 42 | 40476 | Pressure gauge | 1 |
| | A | 1864 | Valve kit | 1 |
| | B | 2629 | Piston kit | 1 |
| | C | 1865 | Oil seal kit | 1 |
| | E | 42479 | Water seal kit | 1 |
| | F | 2040 | Gasket kit | 1 |

Model AUSSIE BLACK BOX

Version:

Serial number:

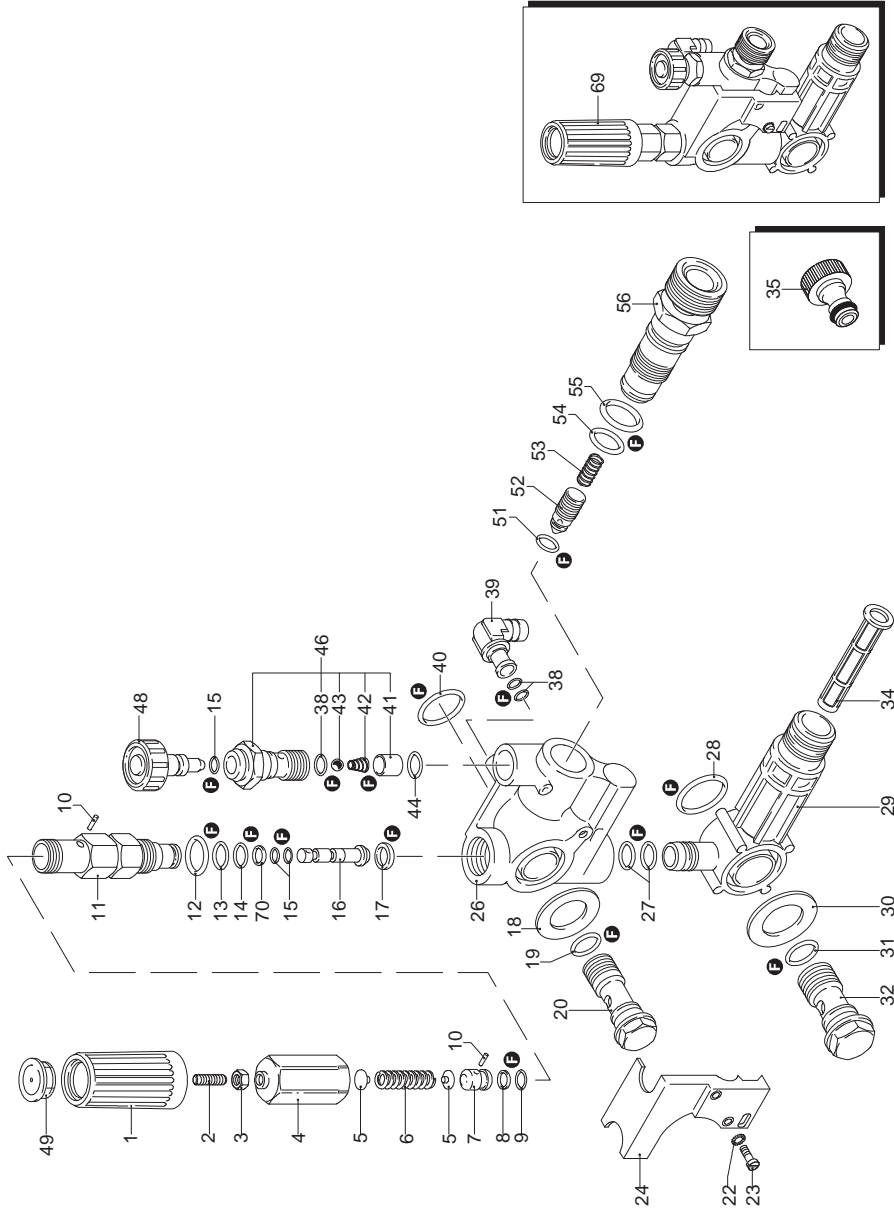
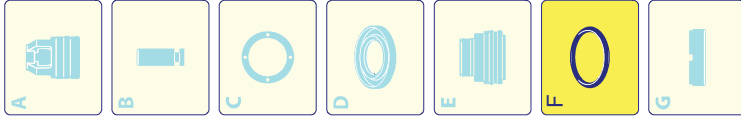
Code:

13991

26/02/2015

240 V - 50 Hz

AS/NZS



| Validity | Pos. | Code | Description | Q |
|----------|------|---------|-------------------|---|
| | 1 | 1981780 | Knob | 1 |
| | 2 | 1980470 | Screw | 1 |
| | 3 | 1980300 | Nut | 1 |
| | 4 | 1980390 | Insert | 1 |
| | 5 | 1980220 | Wobble plate | 2 |
| | 6 | 1271070 | Spring | 1 |
| | 7 | 1080041 | Piston | 1 |
| | 8 | 1080401 | Ring | 1 |
| | 9 | 1080250 | O-ring | 1 |
| | 10 | 1080070 | Pin | 2 |
| | 11 | 1980210 | Piston guide | 1 |
| | 12 | 880830 | O-ring | 1 |
| | 13 | 740290 | O-ring | 1 |
| | 14 | 800560 | O-ring | 1 |
| | 15 | 1080190 | O-ring | 3 |
| | 16 | 1271160 | Piston | 1 |
| | 17 | 1080121 | Seat | 1 |
| | 18 | 1260570 | Washer | 1 |
| | 19 | 390080 | O-ring | 1 |
| | 20 | 1540272 | Screw | 1 |
| | 22 | 395370 | Washer | 2 |
| | 23 | 395270 | Screw | 2 |
| | 24 | 1260531 | Cover | 1 |
| | 26 | 1271740 | Valve body | 1 |
| | 27 | 770140 | O-ring | 2 |
| | 28 | 1180140 | O-ring | 1 |
| | 29 | 1260540 | Suction fitting | 1 |
| | 30 | 1260560 | Washer | 1 |
| | 31 | 880270 | O-ring | 1 |
| | 32 | 2260420 | Screw | 1 |
| | 34 | 1260660 | Filter | 1 |
| | 35 | 1270940 | Fitting | 1 |
| | 38 | 480480 | O-ring | 3 |
| | 39 | 1260670 | Fitting | 1 |
| | 40 | 720030 | O-ring | 1 |
| | 41 | 1262940 | Bushing | 1 |
| | 42 | 1250270 | Spring | 1 |
| | 43 | 1250280 | Ball | 1 |
| | 44 | 880840 | O-ring | 1 |
| | 46 | 1269041 | Injector | 1 |
| | 48 | 1269010 | Knob | 1 |
| | 49 | 1981770 | Plug | 1 |
| | 51 | 1460430 | O-ring | 1 |
| | 52 | 1540170 | Shutter | 1 |
| | 53 | 1080091 | Spring | 1 |
| | 54 | 394280 | O-ring | 1 |
| | 55 | 1200690 | O-ring | 1 |
| | 56 | 1270091 | Injector | 1 |
| | 69 | 1279225 | Combiset assembly | 1 |
| | 70 | 1271170 | Ring | 1 |
| | F | 2715 | Gasket kit | 1 |

Model AUSSIE BLACK BOX

Version:

Serial number:

Code:

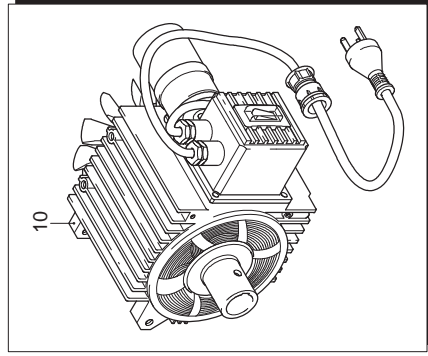
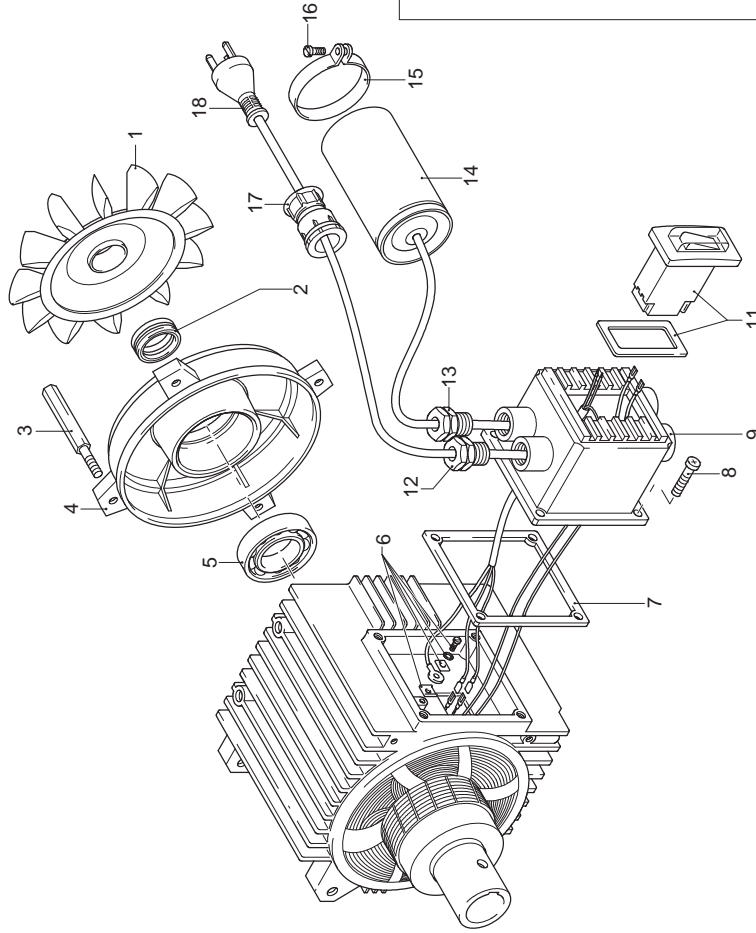
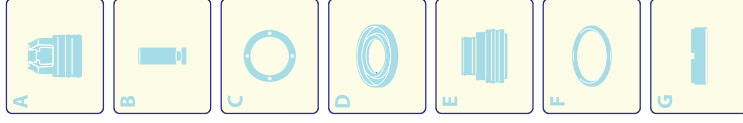
13991

26/02/2015

240 V - 50 Hz

AS/NZS

| |
|--|
| |
| |
| |



| Validity | Pos. | Code | Description | Q |
|----------|------|---------|----------------|---|
| | 1 | 1260300 | Fan | 1 |
| | 2 | 1260970 | Seal | 1 |
| | 3 | 1260360 | Stud bolt | 4 |
| | 4 | 1260960 | Shield | 1 |
| | 5 | 1260950 | Bearing | 1 |
| | 6 | 1269100 | Clamp | 1 |
| | 7 | 1260400 | Gasket | 1 |
| | 8 | 1261560 | Screw | 4 |
| | 9 | 1260340 | Box | 1 |
| | 10 | 44854 | Motor | 1 |
| | 11 | 1263790 | Switch | 1 |
| | 12 | 1271950 | Cable retainer | 1 |
| | 13 | 1269090 | Cable retainer | 1 |
| | 14 | 1263520 | Capacitor | 1 |
| | 15 | 1982550 | Clamp | 1 |
| | 16 | 1271880 | Screw | 1 |
| | 17 | 1262370 | Orifice | 1 |
| | 18 | 1682850 | Cable | 1 |

Model AUSSIE BLACK BOX

Version:

Serial number:

Code:

13991

26/02/2015



240 V - 50 Hz



AS/NZS

| Validity | Pos. | Code | Description | Q |
|----------|------|---------|--------------------|---|
| | 1 | 40925 | Gun | 1 |
| | 2 | 40551 | Lance+lance head | 1 |
| | 3 | 40845 | Lance+rotopower | 1 |
| | 4 | 2000770 | O-ring | 1 |
| | 5 | 1271530 | High pressure hose | 1 |

