



Product Description:

Engineered to meet the requirements of professional contractors, rugged and dependable, these diesel powered trash pumps are ideal for de-watering applications with high solid content.

Applications:

- De-watering
- Tailing dam pump out
- Public works
- Slurry pumping



Features

- Huge 4,200 litres per minute flow with 6" suction and discharge multi-position ports
- Self priming from a depth of 7m
- Max head 35 metres
- Reliable, low maintenance, 24.8HP Kubota water cooled, three cylinder diesel engine with electric start
- Built in safety shutdown for low oil pressure and high water temperature.
- Abrasion-resistant, oil lubricated tungsten/carbide seal system
- Easy removable, cast iron dual passage volute
- Abrasion resistant cast ductile iron, open/multi-vane impeller
- Easy clean-out port can be removed in seconds
- Heavy duty skid with lifting bar, site trailer option also available
- 60 litre fuel tank incorporated in base of skid
- Metal strainer included to prevent entry of oversized solids
- Pump mechanical seal and pump bearings feature accessible sight glass to check oil levels
- All pump hardware is corrosion resistant and all interior water passages are obstruction free
- Comes complete with nut & tail for inlet/outlet

Benefits

- ⇒ Fast de-watering for even large scale jobs
- ⇒ Quick and easy to set up pump ready for work
- ⇒ Makes it ideal for de-watering duties even over distance
- ⇒ Loads of power, readily available parts and service
- ⇒ Protection for both the operator and the engine
- ⇒ Extended seal life, cuts maintenance costs
- ⇒ For quick priming, minimal clogging and long life
- ⇒ Abrasion resistant and capable of passing solids up to 40mm in diameter
- ⇒ Blockages can be cleared without removing connected pipes and without special tools
- ⇒ Simplifies transportation on site
- ⇒ Running time of approximately 10 hours
- ⇒ Prevents clogging and subsequent maintenance
- ⇒ Enables quick checks to ensure lubricant levels correct
- ⇒ Extends pump life
- ⇒ Camlock & Bauer fittings optional extras

Due to our program of continuous product development the manufacturer reserves the right to alter specifications without notice.

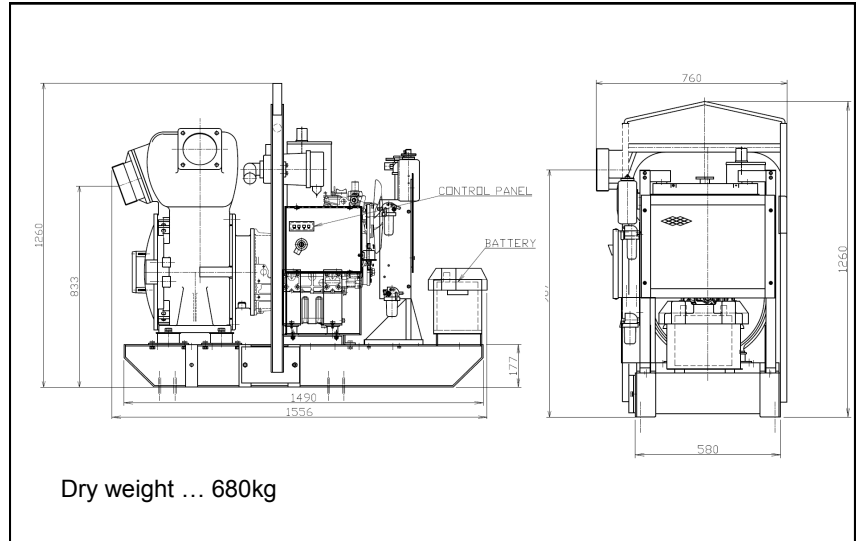


Quality
ISO 9001
SAI GLOBAL

Construction:

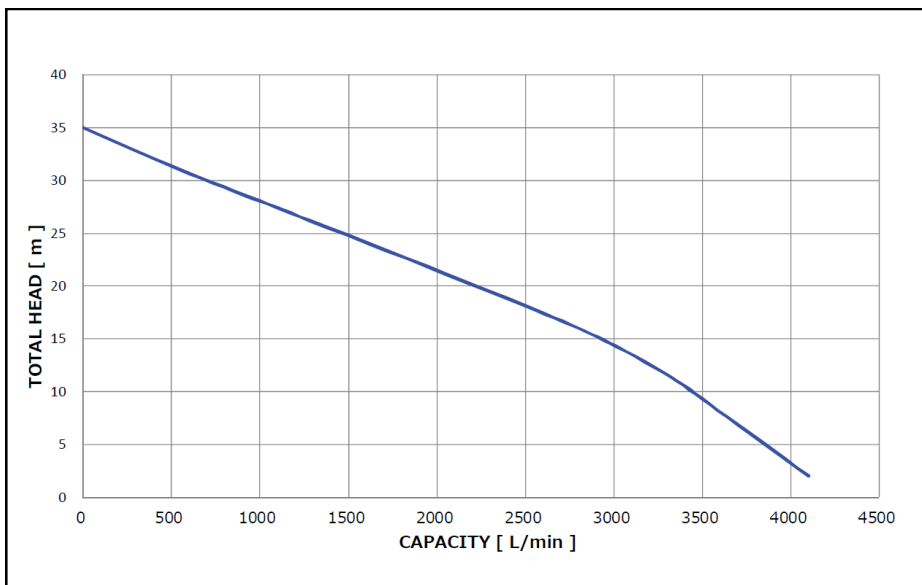
Front case	30 grey iron
Impeller	SG cast iron
Volute	SG cast iron
Back plate	30 grey iron
Mechanical seal	Oil lubricated silicon/ tungsten carbide
Outlet	30 grey iron
Casing bolts	high tensile steel
Yoke bolts	high tensile steel
Check valve	moulded neoprene with steel reinforcement
Priming & drain plugs	steel
Casing, priming & drain plug o ring	rubber compound

Dimensions:



Model	Engine	Type	Max Head (m)	Max Flow (lpm)	Suction Port	Discharge Port	Self primes to (m)	Solids to mm	RPM
QP-60TD/ D1105	Kubota D1105	24.8HP Diesel Electric Start	35	4,200	6" (150mm)	6" (150mm)	7	40	3000

Performance Curve



Trolley mounted option,
road registrable trailer option available



Skid mounted option

Due to our program of continuous product development the manufacturer reserves the right to alter specifications without notice.