



B3XR-A/ST

**Product Description:**

Aussie GMP bare shaft self priming centrifugal semi trash pumps designed for long coupling to electric motors, petrol or diesel engines, hydraulic or PTO drives.

Available in 1½", 2", 3" and 4" configurations they are designed for high and low pressure operations.

Pumps feature big open impellers, non clog design, silicon carbide mechanical seal, stainless steel wear plate and large front opening port to permit cleaning without pipe work disconnection. Flows available to 2300 litres per minute and heads to 50 metres.

Available in cast iron and 316 grade stainless steel, these heavy duty pumps are suitable for a wide range of industrial and agricultural applications.

Stainless steel pumps feature properties of corrosion and abrasion resistance and are suitable for extremely aggressive applications.

**Applications:**

**Cast Iron**

- Industrial waste pump out
- Livestock effluent pump out
- Public sewage works
- Abattoir waste pump out
- Piggeries, chicken processing, feed lots

- Wash bay water recirculation
- Batch plant recirculation
- Mineral processing
- Quarry dewatering

**Stainless Steel**

- Mine tailings dam pump out
- Aggressive water pumping
- Sewage handling
- Acid & solvent pumping
- Industrial food waste

**Features**

- Heavy duty cast construction
- Open non clog style impeller
- Self primes from 6 metres
- Front mounted clean out port
- Cast iron foot mounting
- Silicon carbide mechanical seal standard, option of Viton or tungsten carbide
- Stainless steel wear plate
- All pumps pedestal mounted
- Drive shafts available in high grade steel or stainless steel configurations

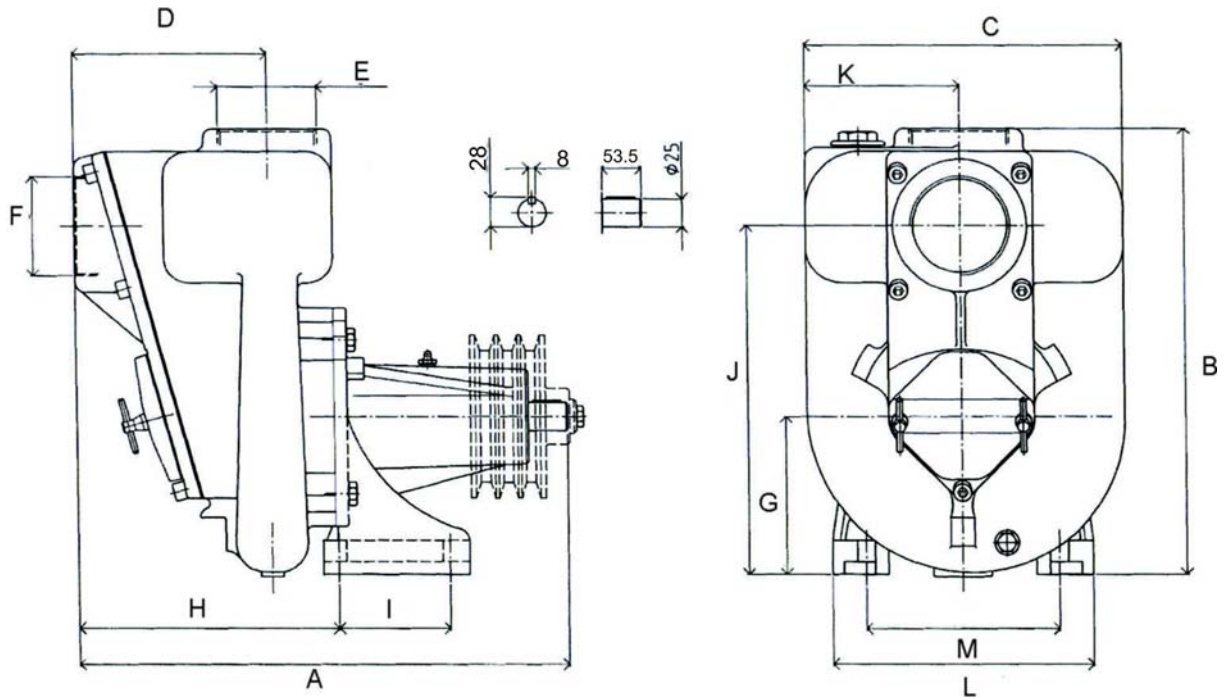
**Benefits**

- Long trouble free life
- Pumps solids in suspension
- Ready to pump in minimum amount of time
- Pump clean out without pipe work dismantling
- Stable, easy to install
- Flexibility of handled liquids
- Protects pump from wear, cuts operating costs
- Makes installation simple
- Applied of specific applications

Model	Required HP	RPM	Suct/Del	Total Head (m)	Capacity (l/m)	Solid size (mm)	Cast Iron CAT number	SS CAT number
B2KQ-A/ST	3.2	3600	2" x 2"	26	570	19	AS79	ASA5
B3KQ-A/ST	5.8	3600	3" x 3"	25	1000	24	AS67	-
B3XR-A/ST	19	3600	3" x 3"	50	2100	20	AS91	-
G3TMK-A/ST	16	3000	3" x 3"	50	1400	25	ASA8	-
B4KQ-A/ST	10	3000	4" x 4"	21	1500	35	AS71	-
B4XR-A/ST	22	3000	4" x 4"	32	2270	25	ASB8	-

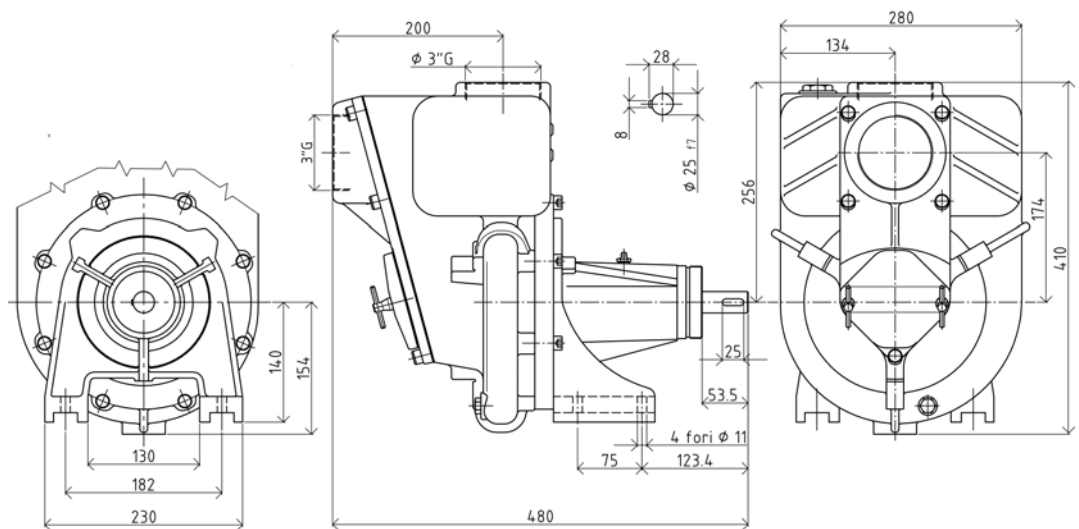


**Dimensions:**



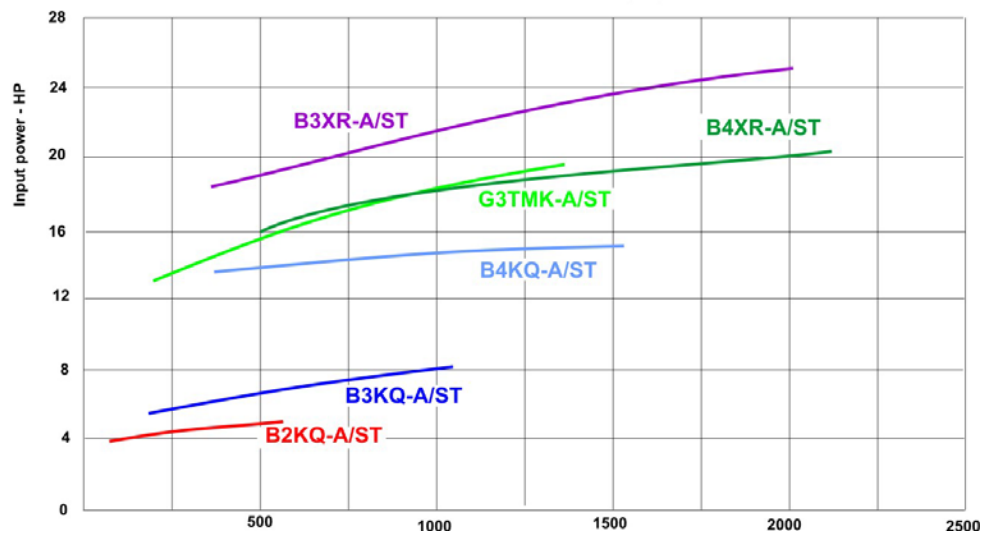
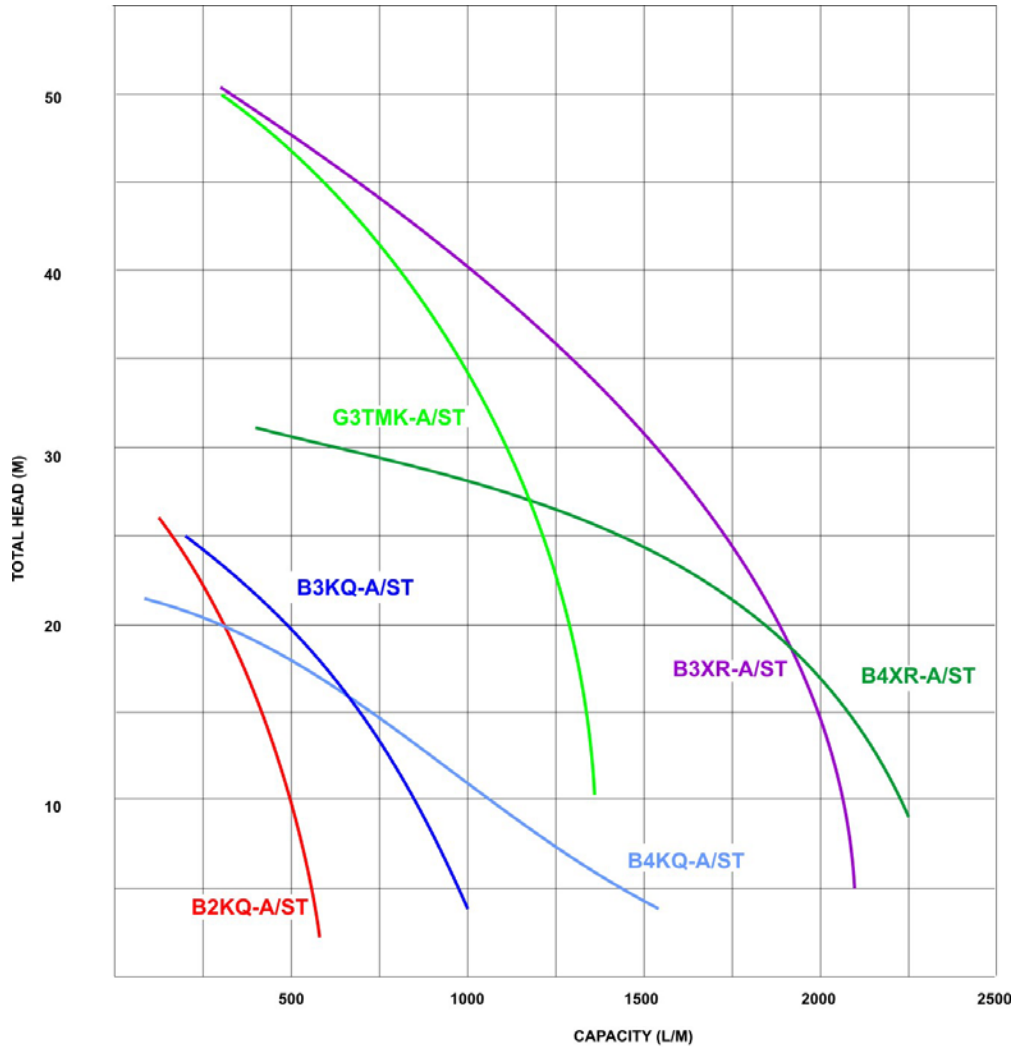
Model	A (mm)	B (mm)	C (mm)	D (mm)	E	F	G (mm)	H (mm)	I (mm)	J (mm)	K (mm)	L (mm)	M (mm)
B2KQ-A/ST	266	295	184	120	2"	2"	106	180	-	231	87	170	132
B3KQ-A/ST	300	294	185	147	3"	3"	106	215	-	227	87	170	132
B3XR-A/ST	435	400	280	175	3"	3"	140	258	75	315	136	235	182
B4KQ-A/ST	489.1	405	315	195	4"	4"	140	265	105	285	140	230	170
B4XR-A/ST	505	450	365	196	4"	4"	154	281	75	311	181	230	182

**G3TMK-A ST**





**Curve Performance:**



**Optional Accessories:**

- Heavy duty galvanised roll frame (standard on diesel drive)
- Heavy duty suction hoses 2" and 3"
- Medium pressure lay flat delivery hose, working pressure 100 psi
- High flow diesel transfer fuel nozzle
- Carbon ceramic, silicon carbide, tungsten carbide or Viton seals available
- Strainers and couplers

Due to our program of continuous product development the manufacturer reserves the right to alter specifications without notice.