
Product Description:

Aussie GMP bare shaft self priming centrifugal pumps designed for long coupling to electric motors, petrol or diesel engines, hydraulic or PTO drives. This extensive range is available in 1½", 2", 3" and 4" in a wide range of models providing excellent high pressure and high flow characteristics.

The pumps offer flows to 2300 litres per minute and heads 77 metres. Pumps will self prime from 6 metres and are available in a range of construction materials including cast iron, zinc free bronze, and 316 grade stainless steel.

Applications:
Cast iron

- Irrigation
- Agriculture wash down
- High flow water transfer
- Diesel fuel transfer (with Viton seals)

Zinc free bronze

- Deck wash down
- Marine air conditioning
- Bilge pump out
- Fire fighting
- Salvage

Stainless steel

- Tailing dam pump out
- Sewage handling
- Aggressive water pumping
- Acid & solvent pumping
- Industrial food waste
- Agricultural chemical transfer

Features

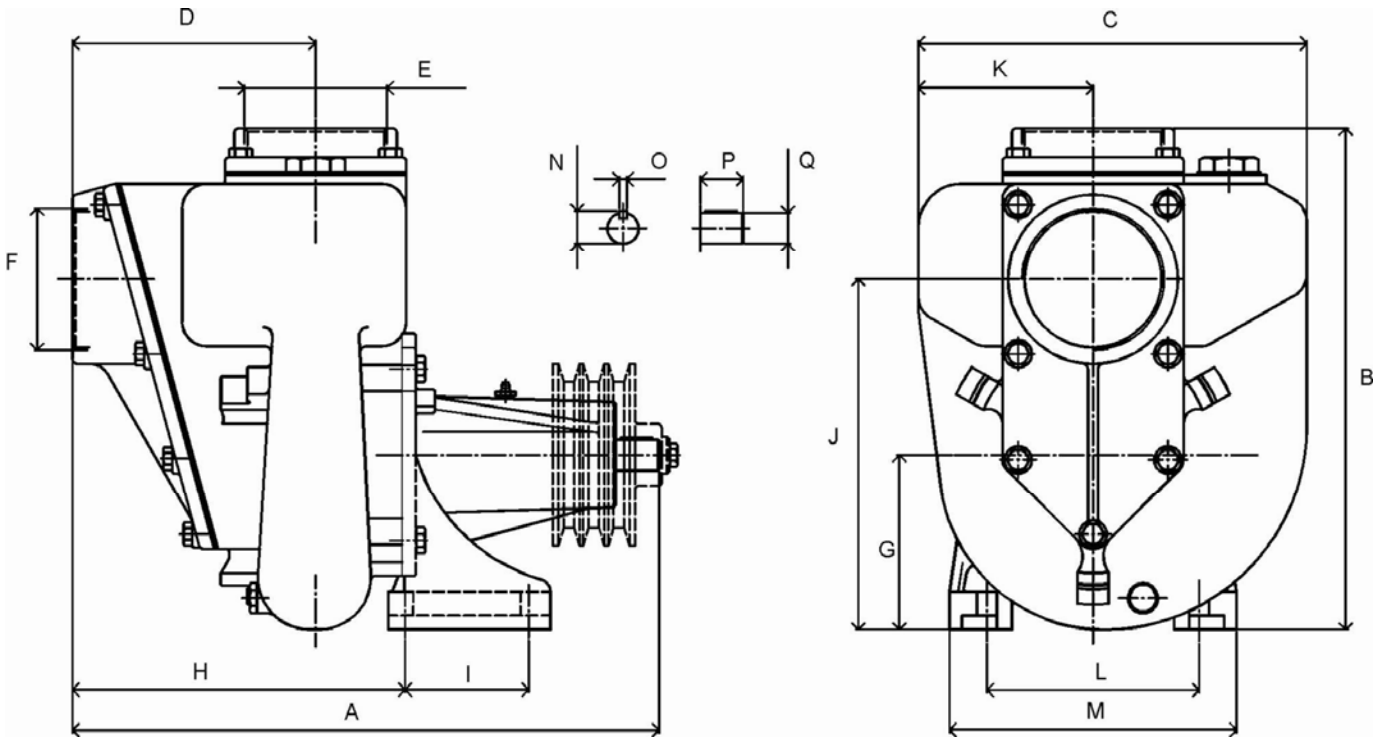
- Self priming vertical lift of 6 metres
- Heavy duty cast construction
- Wide range of material options, ie cast iron, zinc free bronze or 316 grade stainless steel
- Replaceable suction port
- Carbon ceramic mechanical seal standard, option of Viton, silicon carbide, tungsten carbide
- All pumps pedestal mounted
- Drive shafts available in high grade steel or stainless steel configurations

Benefits

- Ready to pump in minimum amount of time
- Longevity and durability
- Can be specified to suit specific applications
- Easy to change if thread damaged, ease access to check valve
- Flexibility of handled liquids
- Makes installation simple
- Applicable to specific models

Model	Required HP	RPM	Suct/Del	Total Head (m)	Capacity (l/m)	Cast Iron CAT number	Bronze CAT number	SS CAT number
B1KQ-A W	1.7	4000	1" x 1"	27	155	AS97	AS96	-
B1½KQ-A W	2.2	3600	1½" x 1½"	23	375	AS73	-	-
B2KQ-A W	4	3600	2" x 2"	31	510	AS60	AS68	-
B3KQ-A W	7	3600	3" x 3"	24	1050	AS58	AS69	-
B4KQ-A W	9	3400	4" x 4"	19	1950	1485	ASC6	-
B3XR-A W	19	3600	3" x 3"	50	2100	1750	ASC3	ASD1
B4XR-A W	22	3000	4" x 4"	32	2270	ASB6	ASC5	ASD5
G2TMK-A W	9	3600	2" x 2"	46	440	ASC2	ASB9	-
G3TMK-A W	28	3600	3" x 3"	77	1700	ASB4	-	-
B3ZRM-A W	34	3000	3" x 3"	77	1750	1929	-	-



Dimensions:


Model	A (mm)	B (mm)	C (mm)	D (mm)	E (mm)	F (mm)	G (mm)	H (mm)	I (mm)	J (mm)	K (mm)	L (mm)	M (mm)	N (mm)	O (mm)	P (mm)	Q (mm)
B1KQ-A	260	285	190	103	1"	1"	92	154	-	230	80	110	-	-	-	-	15.87
B1½KQ-A	250	300	178	103	1½"	1½"	106	165	-	243	80	132	170	17.37	4	36	15.87
B2KQ-A	266	295	184	120	2"	2"	106	180	-	231	87	132	170	17.37	4	36	15.87
B3KQ-A	300	294	185	147	3"	3"	106	215	-	227	87	132	170	17.37	4	36	15.87
B3XR-A	453	400	280	175	3"	3"	140	258	75	315	136	170	230	28	8	53.8	25
B4KQ-A	489	405	315	195	4"	4"	140	265	105	285	140	170	230	28	8	53.8	25
B4XR-A	505	450	365	196	4"	4"	154	281	75	325	181	182	230	28	8	53.8	25
G2TMK-A	370	345	230	122	2"	2"	140	192	75	265	106	182	235	26.5	6	34.5	25
G3TMK-A	480	410	280	200	3"	3"	154	281.6	75	314	134	182	230	28	8	53.8	25
B3ZRM-A	560	465	330	175	3"	3"	205	252	123	386	145	187	-	31	8	70	28

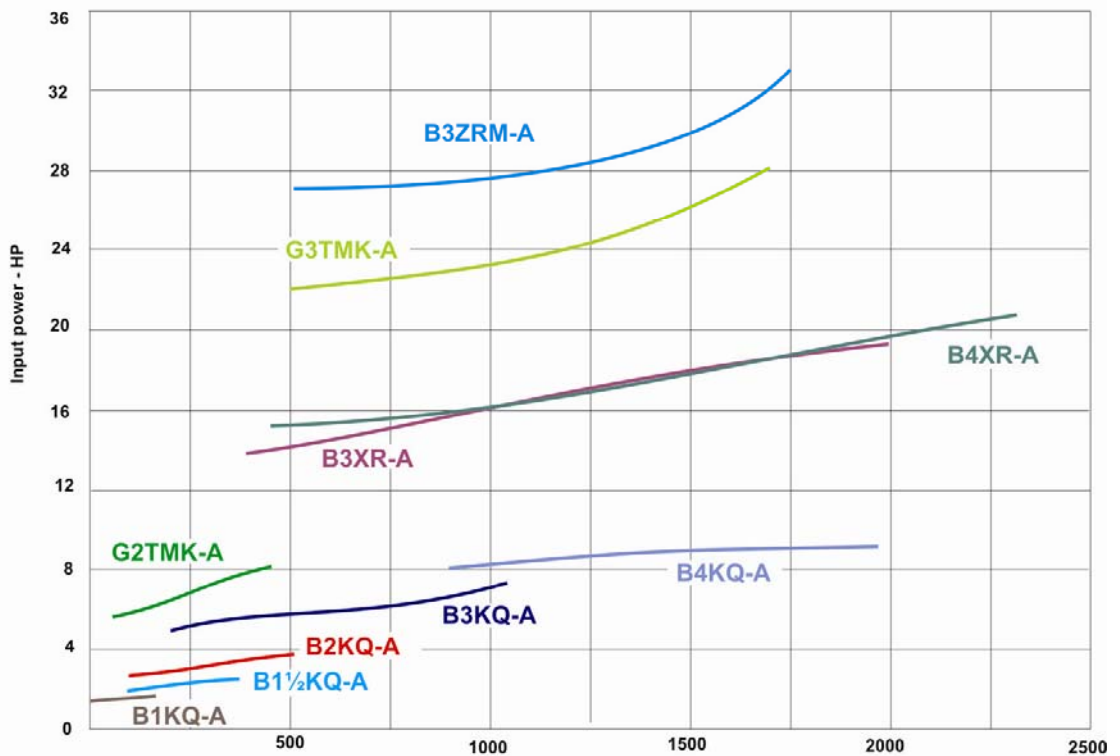
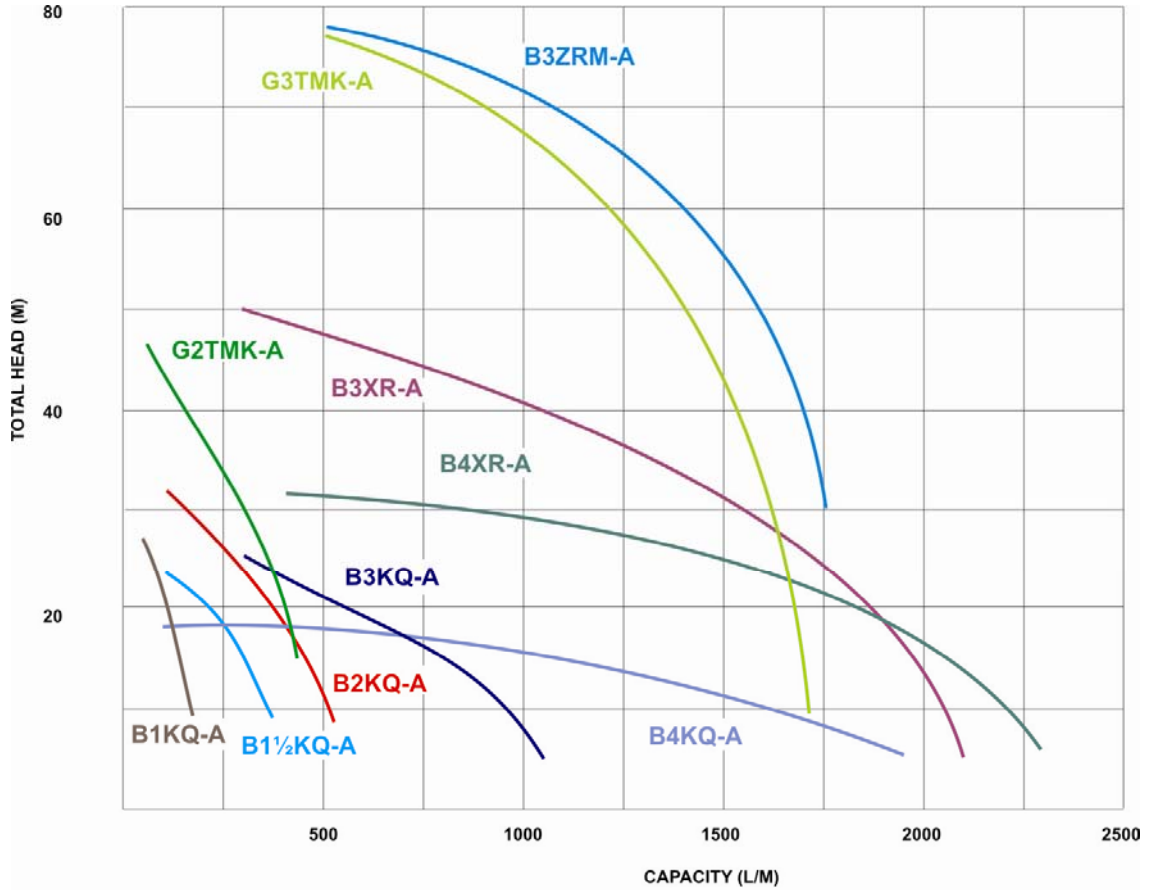
* Drive pulley shown is not included

Optional Accessories:

- Heavy duty galvanised steel base
- Medium pressure lay flat delivery hose, working pressure 100 psi
- Carbon ceramic, silicon carbide, tungsten carbide or Viton seals available



Performance Curves:



Due to our program of continuous product development the manufacturer reserves the right to alter specifications without notice.