



Product Description:

Aussie GMP self priming centrifugal electric drive semi trash pumps in 2", 3" and 4" configurations, designed for high and low pressure operations.

Pumps feature big open impellers, non clog design, silicon carbide mechanical seal, stainless steel wear plate and large front opening port to permit cleaning without pipe work disconnection. Flows available to 2600 litres per minute and heads to 35 metres.

Available in cast iron, zinc free bronze and 316 grade stainless steel, these heavy duty pumps are suitable for a wide range of industrial and agricultural applications.

Stainless steel pumps feature properties of corrosion and abrasion resistance and are suitable for extremely aggressive applications, bronze pumps suit marine applications.

Applications:

Cast Iron

- Industrial waste pump out
- Livestock effluent pump out
- Public sewage works
- Abattoir waste pump out
- Piggeries, chicken processing, feed lots

- Wash bay water recirculation
- Batch plant recirculation
- mineral processing
- Quarry dewatering

Zinc free bronze

- Salt water applications
- Bilge pump out
- Salvage pump

Stainless steel

- Mine tailings dam pump out
- Aggressive water pumping
- Sewage handling
- Acid & solvent pumping
- Industrial food waste

Features

- Heavy duty cast construction
- Open non clog style impeller
- Self primes from 6 metres vertical lift
- Front mounted clean out port
- Close coupled to a heavy duty TEFC single or three phase electric drive motor rated to IP56
- Cast iron foot mounting
- Silicon carbide mechanical seal standard, option of Viton or tungsten carbide
- Stainless steel wear plate

Benefits

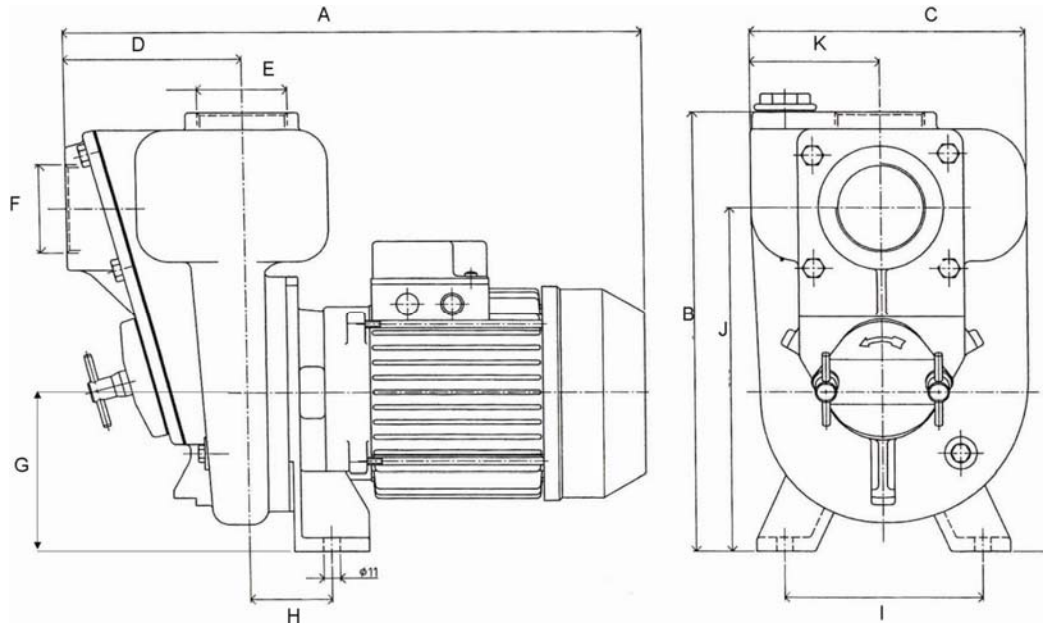
- Long trouble free life
- Pumps solids in suspension
- Ready to pump in minimum amount of time
- Pump clean out without pipe work dismantling
- Electric motor convenience with compact design for ease of installation
- Stable, easy to install
- Flexibility of handled liquids
- Protects pump from wear, cuts operating costs

Model	Motor	Suct/ Del	Total Head (m)	Capacity (l/m)	Solid size (mm)	Cast Iron CAT number	Bronze CAT number	SS CAT number
B2KQ-A/ST	2HP single phase 240v	2" x 2"	17	490	19	EA3L	-	EA7T
B2KQ-A/ST	2HP 3 phase 415v	2" x 2"	17	490	19	EAR4	-	EA7E
B3KQ-A/ST	3 HP single phase 240v	3" x 3"	16	830	24	EA3M	-	-
B3KQ-A/ST	3 HP 3 phase 415v	3" x 3"	16	830	24	EAR6	-	-
B3XR-A/ST	5.5 HP 3 phase 415v	3" x 3"	28	1100	20	EAS1	-	-
B3XR-A/ST	7.5 HP 3 phase 415v	3" x 3"	29	1550	20	EAS3	-	-
B3XR-A/ST	10 HP 3 phase 415v	3" x 3"	30	1700	20	EAS5	-	-
B4KQ-A/ST	5.5 HP 3 phase 415v	4" x 4"	12	1900	35	EAR8	EAER	-
B4XR-A/ST	15HP 3 phase 415v	4" x 4"	29	2360	25	EAS6	-	-
B4XR-A/ST	20HP 3 phase 415v	4" x 4"	29	2600	25	EAS7	-	-

Due to our program of continuous product development the manufacturer reserves the right to alter specifications without notice.

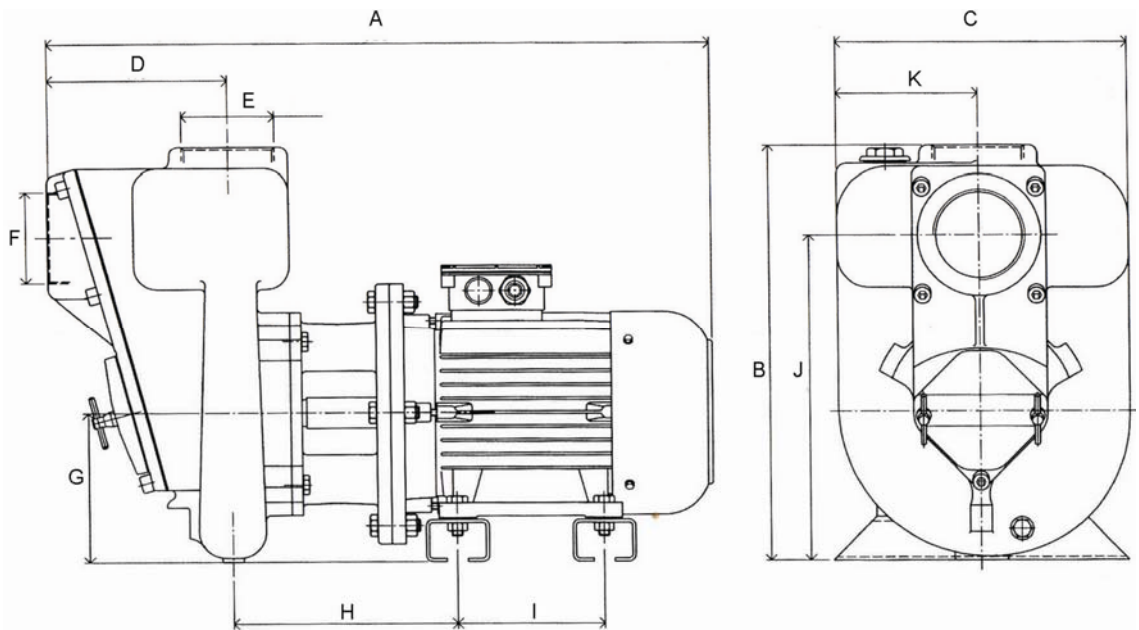


Dimensions:



Model	A (mm)	B (mm)	C (mm)	D (mm)	E (mm)	F (mm)	G (mm)	H (mm)	I (mm)	J (mm)	K (mm)
B2KQ-A/ST	410	300	185	120	2"	2"	106	55	132	232	87
B3KQ-A/ST*	445	300	185	150	3"	3"	106	61	132	230	88

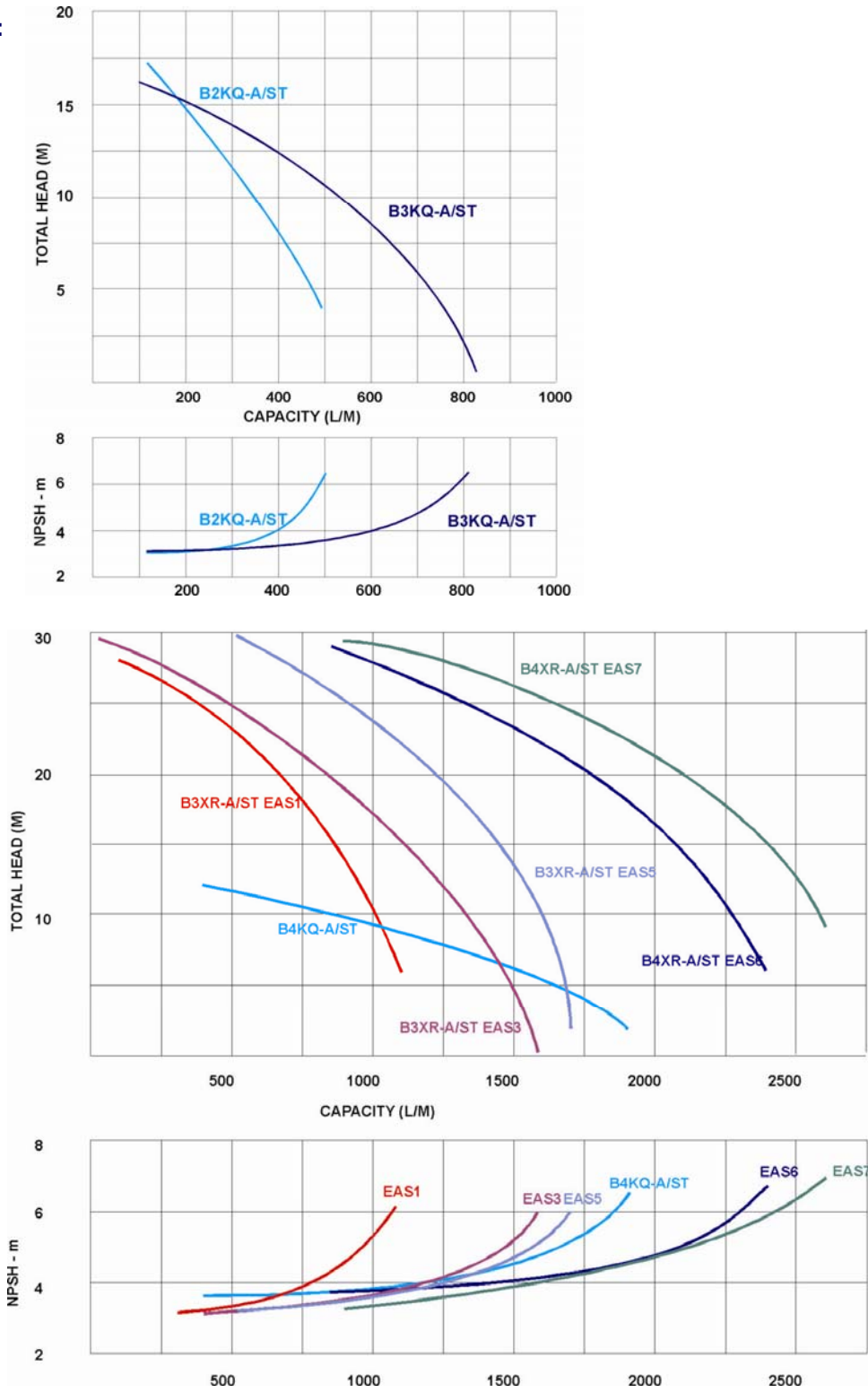
* clean out port is a different shape on this model to that shown in diagram



Model	A (mm)	B (mm)	C (mm)	D (mm)	E (mm)	F (mm)	G (mm)	H (mm)	I (mm)	J (mm)	K (mm)
B3XR-A/ST 5HP	635	400	280	175	3"	3"	140	215	140x160	315	136
B3XR-A/ST 7 or 10HP	680	405	280	175	3"	3"	145	220	140x190	320	136
B4KQ-A/ST	670	405	315	195	4"	4"	140	230	140x160	285	140
B4XR-A/ST	800	455	365	196	4"	4"	160	275	178x216	330	181



Curve Performance:



Optional Accessories:

- Heavy duty galvanised roll frame (standard on diesel drive)
- Heavy duty suction hoses 2" and 3"
- Medium pressure lay flat delivery hose, working pressure 100 psi
- High flow diesel transfer fuel nozzle
- Carbon ceramic, silicon carbide, tungsten carbide or Viton seals available
- Strainers and couplings