



Product Description:

Heavy duty cast iron or bronze electric drive pumps are designed for high pressure applications, available in a range of sizes from 1½” through to 3”.

With flows up to 1220 litres per minute and maximum heads of 73 metres these pumps are powered by close coupled heavy duty TEFC motors, two pole design with IP56 rating. They self prime from 6 metre depths making them ideal for any heavy duty industrial, mining or agricultural process pump duty.

Applications:

Cast Iron

- High pressure water transfer
- Boom spray
- Machinery wash down
- Spray irrigation
- Fire fighting
- Industrial process pumping

Zinc free bronze

- Deck wash down
- Bilge pump out
- Salvage pump
- Marine fire fighting

Features

- Close grained cast construction
- Open style impeller
- Self primes from depths of 6 metres
- Replaceable suction port
- Close coupled to a heavy duty TEFC single or three phase electric drive motor rated to IP56
- Simple pump design
- Carbon ceramic mechanical seal standard, option of Viton, silicon carbide, tungsten carbide

Benefits

- Long trouble free life
- Pumps small solids in suspension
- Ready to pump in minimum amount of time
- Easy to replace, easy access to check valve for servicing
- Electric motor convenience, compact and requires minimal space
- Low maintenance
- Flexibility of handled liquids

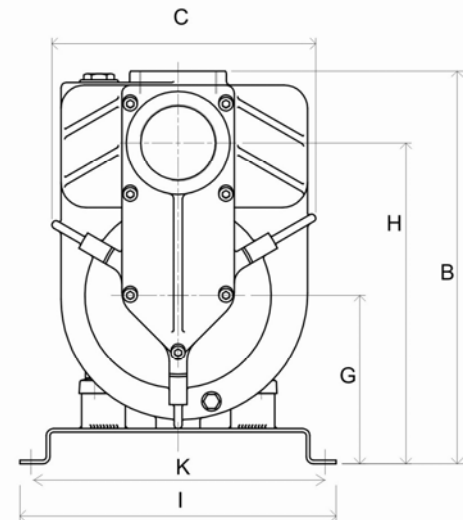
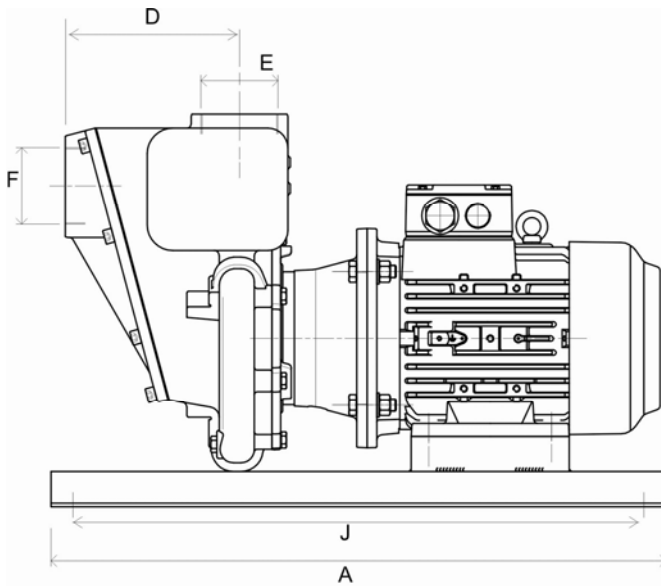
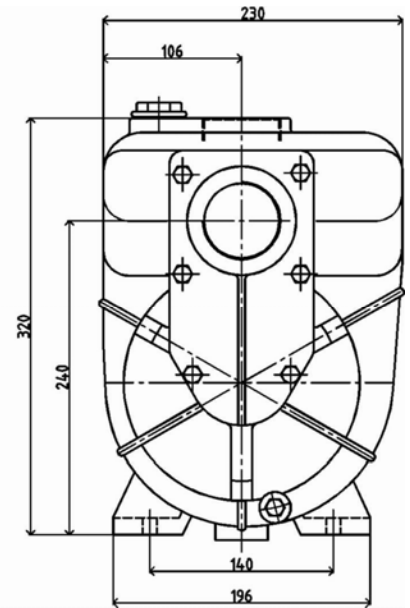
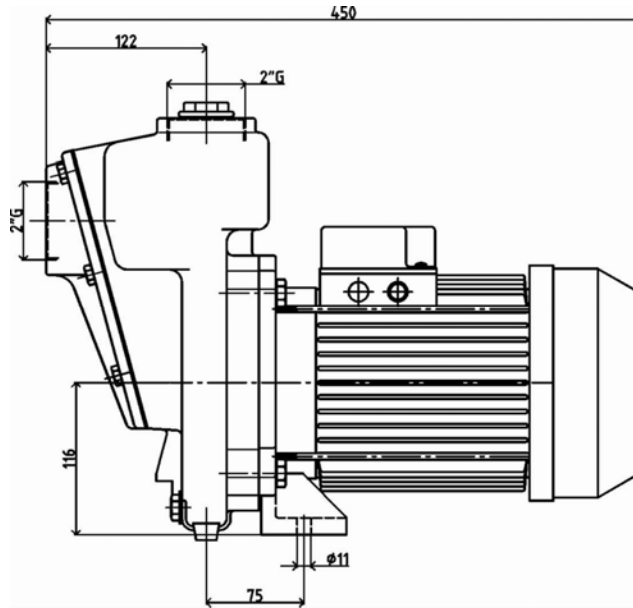
Model	Motor	HP	Suct/Del	Total Head (m)	Capacity (l/m)	Cast Iron CAT number	Bronze CAT number	Stainless steel CAT number
G2TMK-A	single phase 240v	3HP	2" x 2"	30	370	EA3S	-	-
G2TMK-A	three phase 415v	3HP	2" x 2"	30	370	EAT6	EA4R	-
G2TMK-A	three phase 415v	4HP	2" x 2"	30	450	EAT8	-	-
G3TMK-A	three phase 415v	5.5HP	3" x 3"	40	700	EAMV	-	-
G3TMK-A	three phase 415v	7.5HP	3" x 3"	50	850	EADH	-	EACB
G3TMK-A	three phase 415v	10HP	3" x 3"	50	980	EAHD	-	EABE
G3TMK-A	three phase 415v	15HP	3" x 3"	52	1360	EA5E	-	EACD
B1½ZPMA	three phase 415v	10HP	2" x 1½"	60	520	EAL5	-	-
B3ZPMA	three phase 415v	25HP	3" x 3"	73	1220	EAH0	-	-





Dimensions:

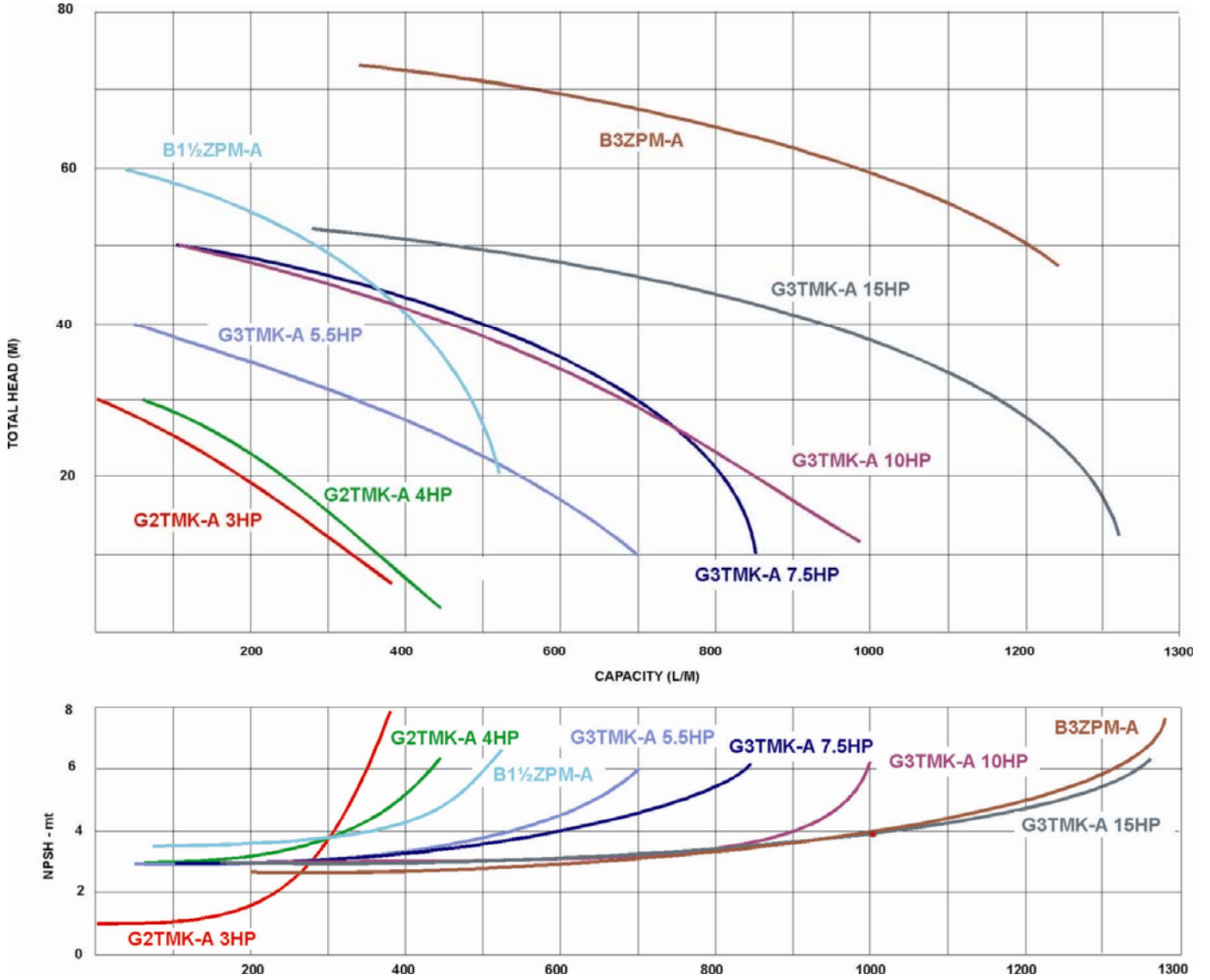
G2TMK-A



Model	HP	A (mm)	B (mm)	C (mm)	D (mm)	E	F	G (mm)	H (mm)	I (mm)	J (mm)	K (mm)
G3TMK-A	5HP	700	450	300	215	3"	3"	192	365	360	650	335
G3TMK-A	7.5HP or 10HP	800	470	310	215	3"	3"	212	385	360	750	335
G3TMK-A	15HP	765	420	310	198.5	3"	3"	160	250	178x216	240	150
B1½ZPMA	10HP	690	440	325	225	2"	2"	165	210	140x190	345	165
B3ZPMA	25HP	1000	525	355	225	3"	3"	265	445	470	950	435



Performance Curves:



Due to our program of continuous product development the manufacturer reserves the right to alter specifications without notice.