



B3XR-A/SS bare shaft

Cast iron bare shaft pumps also available, see separate spec sheet.

Features

- Self priming vertical lift of 6 metres
- Heavy duty cast construction
- NI AL bronze or 316 grade stainless steel
- Replaceable suction port
- Carbon Alumina mechanical seal standard on transfer pumps, silicon carbide seals on semi trash pumps
- All pumps pedestal mounted
- Drive shafts available in high grade steel or stainless steel configurations

Aussie GMP bare shaft self priming centrifugal pumps designed for long coupling to electric motors, petrol or diesel engines, hydraulic or PTO drives. This extensive range is available in 2", 3" and 4" in a wide range of models providing excellent high pressure and high flow characteristics.

The pumps offer flows to 2100 litres per minute and heads 31 metres. Pumps will self prime from 6 metres and are available in a range of construction materials including Ni Al bronze and cast 316 stainless steel.

Applications:

Zinc free bronze

- Deck wash down
- Marine air conditioning
- Bilge pump out
- Fire fighting
- Salvage

Cast 316 Stainless steel

- Tailing dam pump out
- Sewage handling
- Aggressive water pumping
- Acid & solvent pumping
- Industrial food waste
- Agricultural chemical transfer

Benefits

- Ready to pump in minimum amount of time
- Longevity and durability
- Bronze suits marine applications, stainless steel is resistant to abrasion
- Easy to change if thread damaged, ease access to check valve
- Flexibility of handled liquids
- Makes installation simple
- Applicable to specific models

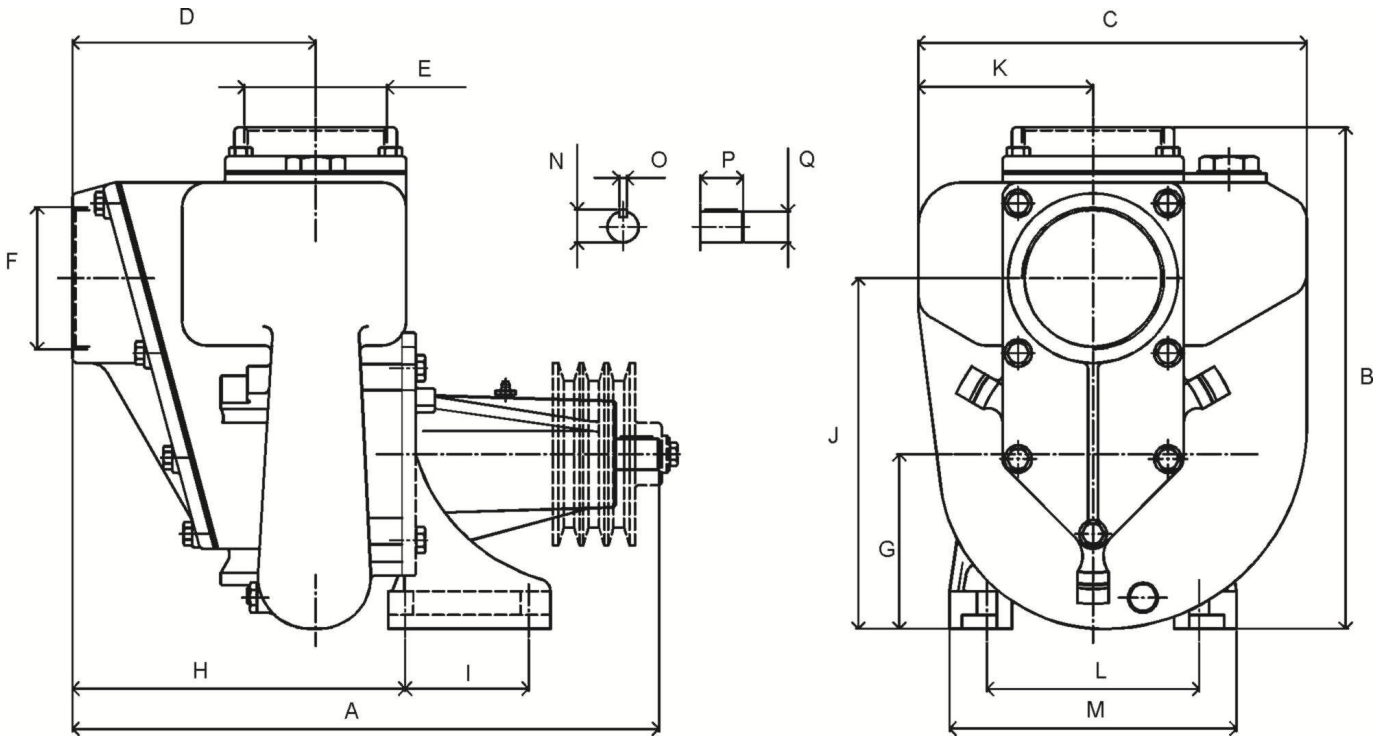
Transfer Pumps

Model	CAT no.	Req'd kW	RPM	Suct/Del	PSI	Total Head (m)	Capacity (l/m)
NIAL bronze - Marine Grade ... stainless steel plugs & fasteners							
B2KQ-A/B W	AS68	1.5	2900	2" x 2"	25	18	400
B3KQ-A/B W	AS69	2.2	2900	3" x 3"	20	14.5	850
B4KQ-A/B W	ASC6	4	2900	4" x 4"	20	14.5	1650
B3XR-A/B W	ASC3	7.5	2900	3" x 3"	43	31	1500
B4XR-A/B W	ASC5/ASDN	15	2900	4" x 4"	43	31	2100
G2TMK-A/B W	ASB9	3	2900	2" x 2"	43	31	400
Stainless Steel—316 Grade for corrosive applications							
B3XR-A/SS W	ASD1	7.5	2900	3" x 3"	43	31	1500
B4XR-A/SS W	ASDS	15	2900	4" x 4"	43	31	2100

Semi Trash pumps ... dirty water specialist

Model	CAT no.	Req'd kW	RPM	Suct/Del	PSI	Total Head (m)	Capacity (l/m)	Solid size (mm)
Stainless Steel—316 Grade for corrosive applications								
B2KQ-A/ST/SS	ASL1	1.5	2900	2" x 2"	28	20	440	16

Dimensions:



Model	A (mm)	B (mm)	C (mm)	D (mm)	E (mm)	F (mm)	G (mm)	H (mm)	I (mm)	J (mm)	K (mm)	L (mm)	M (mm)	N (mm)	O (mm)	P (mm)	Q (mm)
B2KQ-A	266	295	184	120	2"	2"	106	180	-	231	87	170	132	17.37	4	36	15.87
B3KQ-A	300	294	185	147	3"	3"	106	215		227	87	170	132	17.37	4	36	15.87
B3XR-A	435	400	280	175	3"	3"	140	232	105	315	136	230	170	26.5	6	34.5	25
B4KQ-A	470	405	315	195	4"	4"	140	265	105	285	140	230	170	26.5	6	34.5	25
B4XR-A	505	450	365	196	4"	4"	154		75		181	230	182	26.5	6	34.5	25
G2TMK-A	370	345	230	122	2"	2"	140	192	75	265	106	182	235	26.5	6	34.5	25

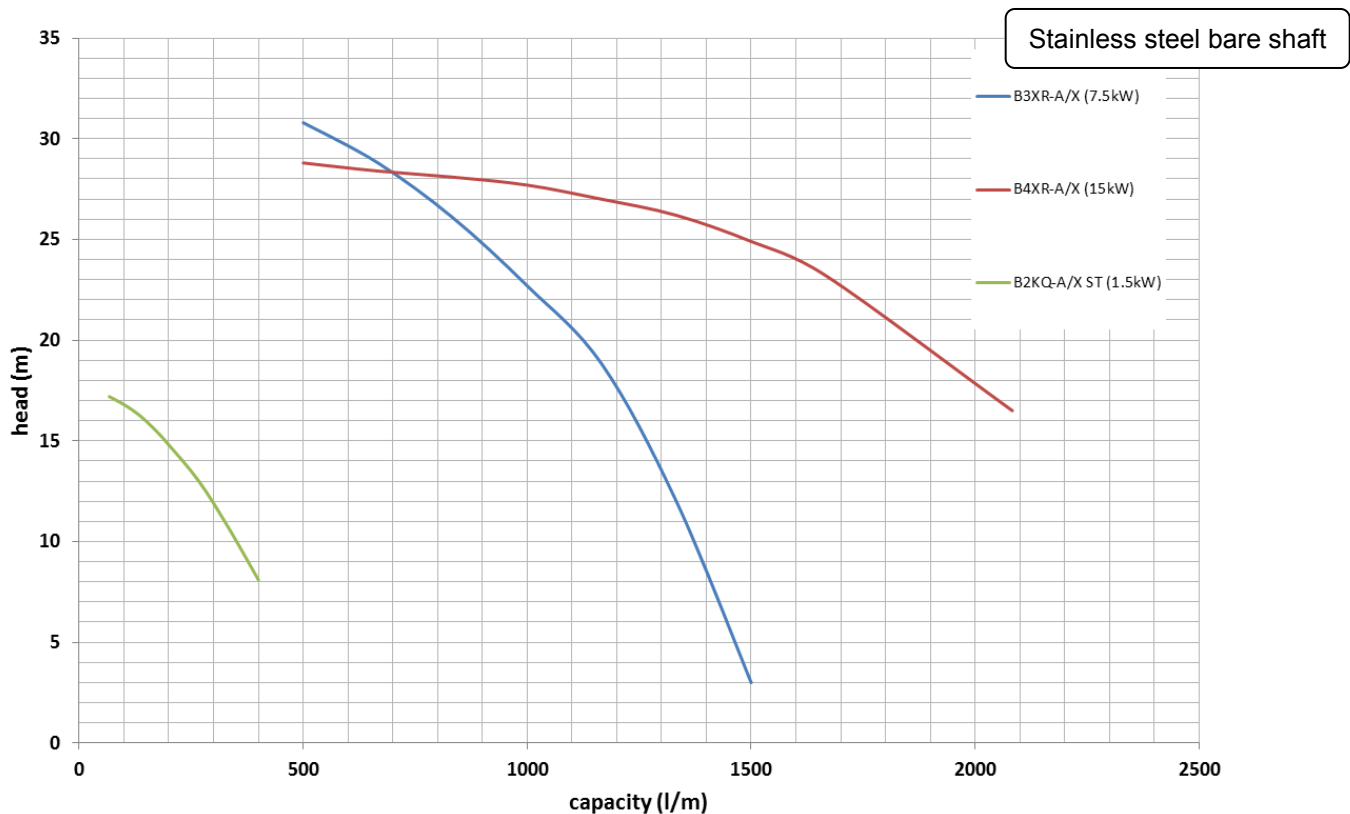
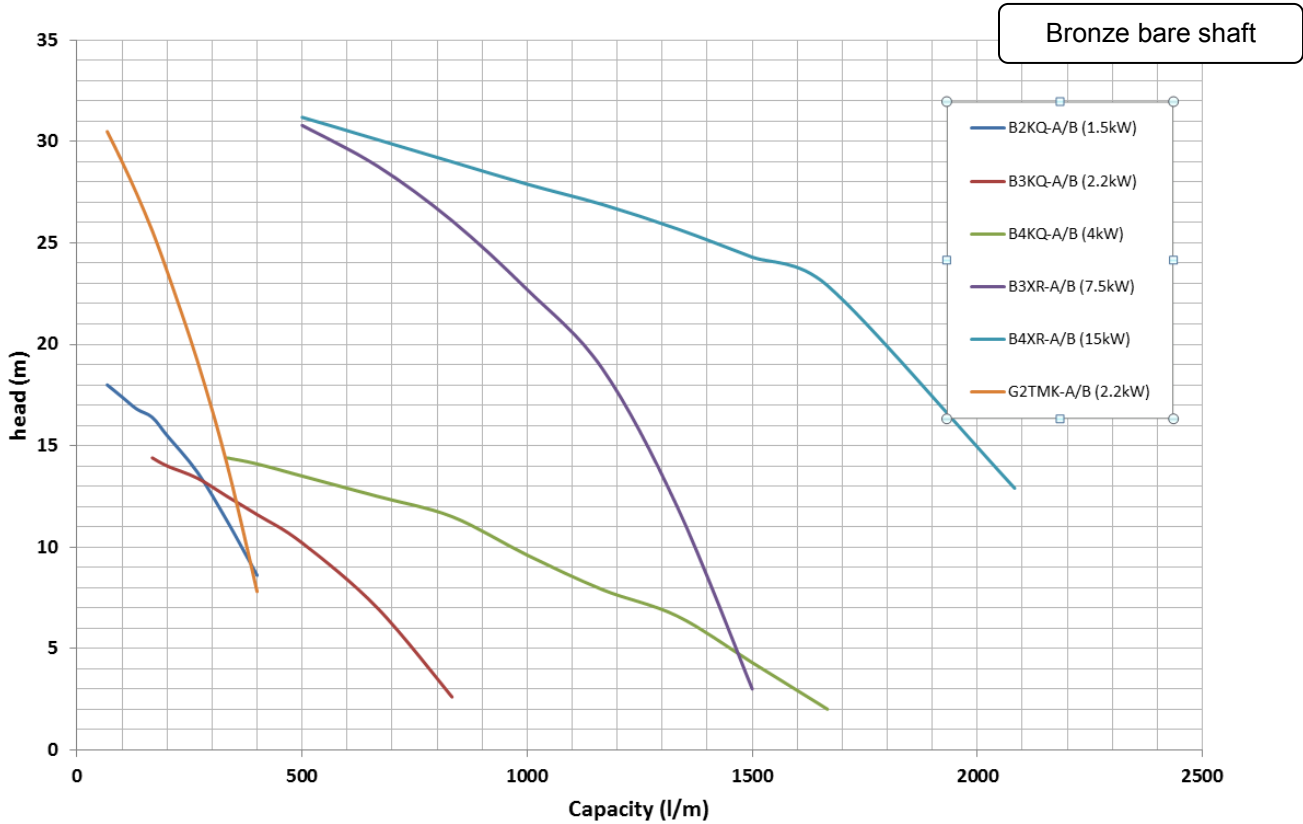
* Drive pulley shown is not included

Optional Accessories:

- Heavy duty galvanised steel base
- Medium pressure lay flat delivery hose, working pressure 100 psi
- Carbon ceramic, silicon carbide, tungsten carbide or Viton seals available

Performance Curves:

2900 rpm



Performance figures to be taken as a guide only, for detailed performance curves contact an Aussie Gold Dealer.

Due to our program of continuous product development the manufacturer reserves the right to alter specifications without notice.