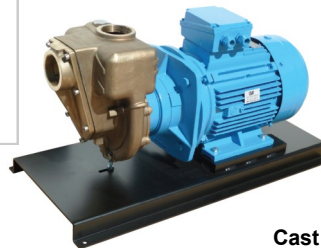




Heavy duty cast iron, Ni Al bronze and cast 316 stainless steel electric drive pumps are designed for high pressure applications, available in a range of sizes from 1½” through to 3”.

With flows up to 1250 litres per minute and maximum heads of 70 metres these pumps are powered by close coupled heavy duty, IP rated, two pole TEFC motors.

They self prime from 6 metre depths making them ideal for any heavy duty industrial, mining or agricultural process pump duty.



Applications:

Cast Iron

- High pressure water transfer
- Boom spray
- Machinery wash down
- Spray irrigation
- Fire fighting
- Industrial process pumping

Ni Al bronze

- Bilge pump out
- Deck wash down
- Salvage pump
- Marine fire fighting

Cast 316 Stainless steel

- Aggressive water pumping
- Sewage handling
- Acid & solvent pumping
- Industrial food waste
- Ag chemical transfer

Features

- Close grained cast construction
- Open style impeller
- Self primes from depths of 6 metres
- Replaceable suction port
- Close coupled to a heavy duty TEFC single or three phase electric drive motor rated
- Simple pump design
- Carbon/Alumina seals standard, other seal options available

Benefits

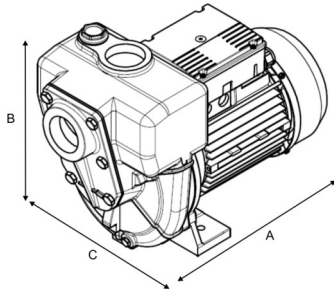
- Long trouble free life
- Passes small solids in suspension
- Ready to pump in minimum amount of time
- Easy to replace, easy access to check valve for servicing
- Electric motor convenience, compact and requires minimal space
- Low maintenance
- Flexibility of handled liquids

Model	Motor	kW	IP rating	Suct/Del	Total Head (m)	Max Capacity (l/m)	Cast Iron CAT no.	Bronze CAT no.	Stainless steel CAT no.
G2TMK-A	single phase 240v	2.2	54	2" x 2"	33.5	375	EAEL	EA9H	-
	three phase 415v						EADT	EA4R	-
	three phase 415v	3	54	2" x 2"	34	400	EAT8	-	-
G3TMK-A	three phase 415v	4	55	3" x 3"	35	800	EAMV	EAHS	-
	three phase 415v	5.5			40	910	EADH	-	EACB/EALV
	three phase 415v	7.5			47	850	EAHD	EAHV	EABE/EALZ
	three phase 415v	11			54.4	1100	EAFI	EAFR	EACD
B1½ZPMA	three phase 415v	7.5	55	2" x 1½"	58.5	600	EANN	-	-
B3ZPMA	three phase 415v	18.5	55	3" x 3"	71	1250	EAH0	-	-



Dimensions:

G2TMK-A

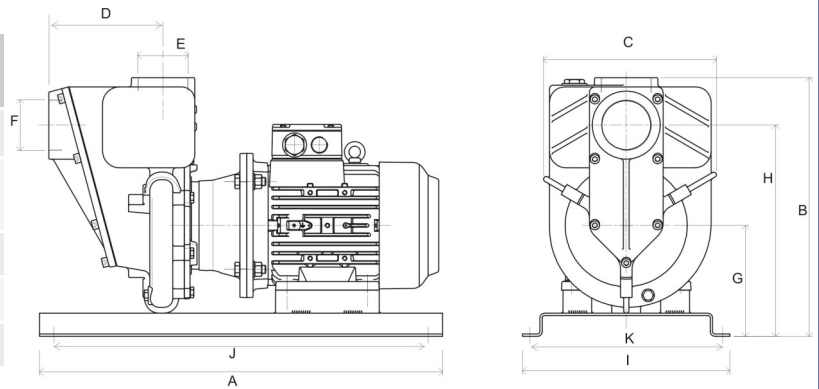


Model		Length A (mm)	Height B (mm)	Width C (mm)
G2TMK-A	2.2kW	450	316	230
	3kW	450	316	230

Full data sheet available for each pump ... contact Aussie Pumps

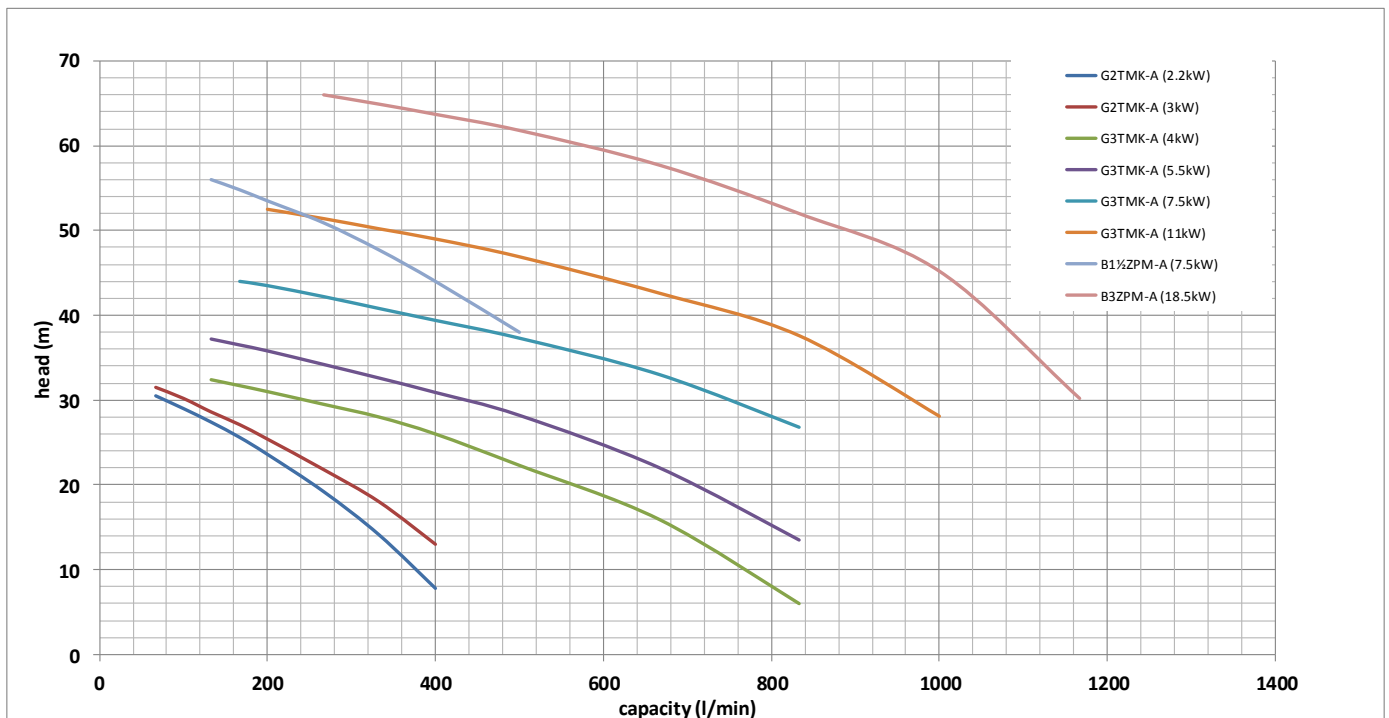
Pumps 4kW & over are mounted on a base plate

Model		Length A (mm)	Height B (mm)	Width C (mm)
G3TMK-A	4kW	700	450	360
	5kW, 7.5kW	790	467	360
	11kW	1000	505	470
B1½ZPMA	7.5kW	790	473.5	360
B3ZPMA	18.5kW	1000	525	470



Full data sheet available for each pump ... contact Aussie Pumps

Performance Curves: 2900 rpm



Curves should be used as a guide only. Detailed curves available on request.