



Aussie GMP hydraulic drive pumps are ideal for mobile, corrosive applications. They provide loads of power and real design flexibility. The range includes models in 2" and 3" and 4" in Ni Al bronze and abrasive resistant stainless steel. Flows available to 2200 litres per minute and heads to 31 metres.

These hydraulic drive motor pumps can be operated in either closed centre or open centre hydraulic systems.

Applications:

- Mine and dust suppression
- Water cart
- Water deliver truck tanker
- Fire fighting tanker refill
- Underground mine dewatering
- Bilge pump out
- Deck wash down
- Tank aeration
- Fire fighting

Cast iron hydraulic drive pumps also available, see separate spec sheet

B2KQ-A/B hydraulic drive

Features

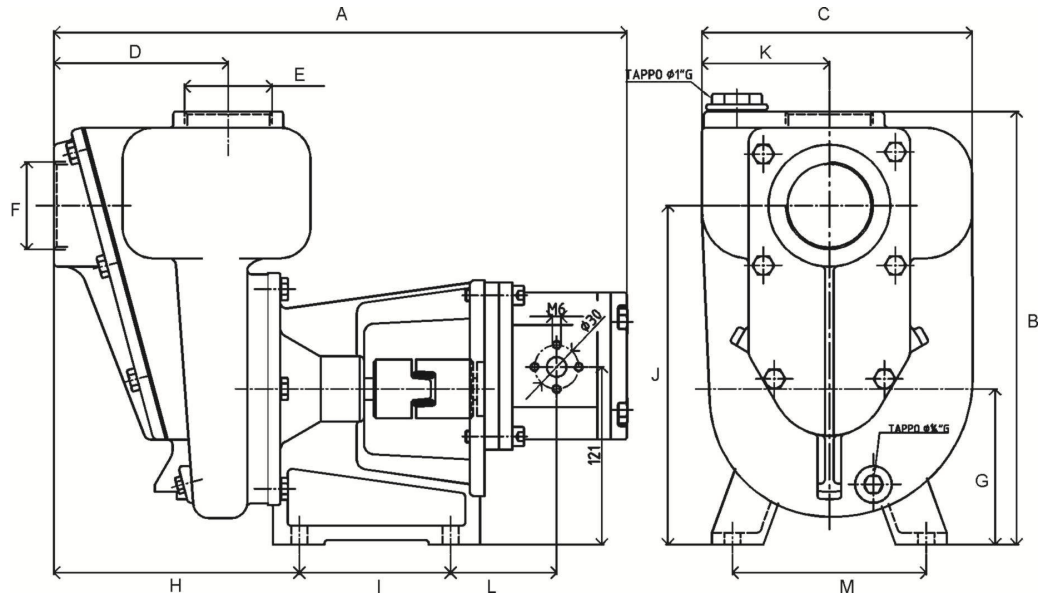
- Elimination of independent engine in mobile applications
- Compact design
- Power supplied by hydraulic lines
- Self priming vertical lift of 6 metres
- Range of materials for construction
- Replaceable suction port
- Mechanical seal in range of carbon ceramic, silicon carbide or tungsten carbide (option)
- All pumps pedestal mounted
- Drive shafts available in high grade steel or stainless steel configurations

Benefits

- Reduced cost, improved reliability
- Facilitates installation
- Flexible design, pump can be located in the most appropriate position, elimination of drive shafts
- Ready to pump in minimum amount of time
- Can be specified to suit specific applications
- Easy to change if thread damaged, ease access to check valve
- Suitable for a wide range of applications
- Makes installation simple
- Applicable to specific models

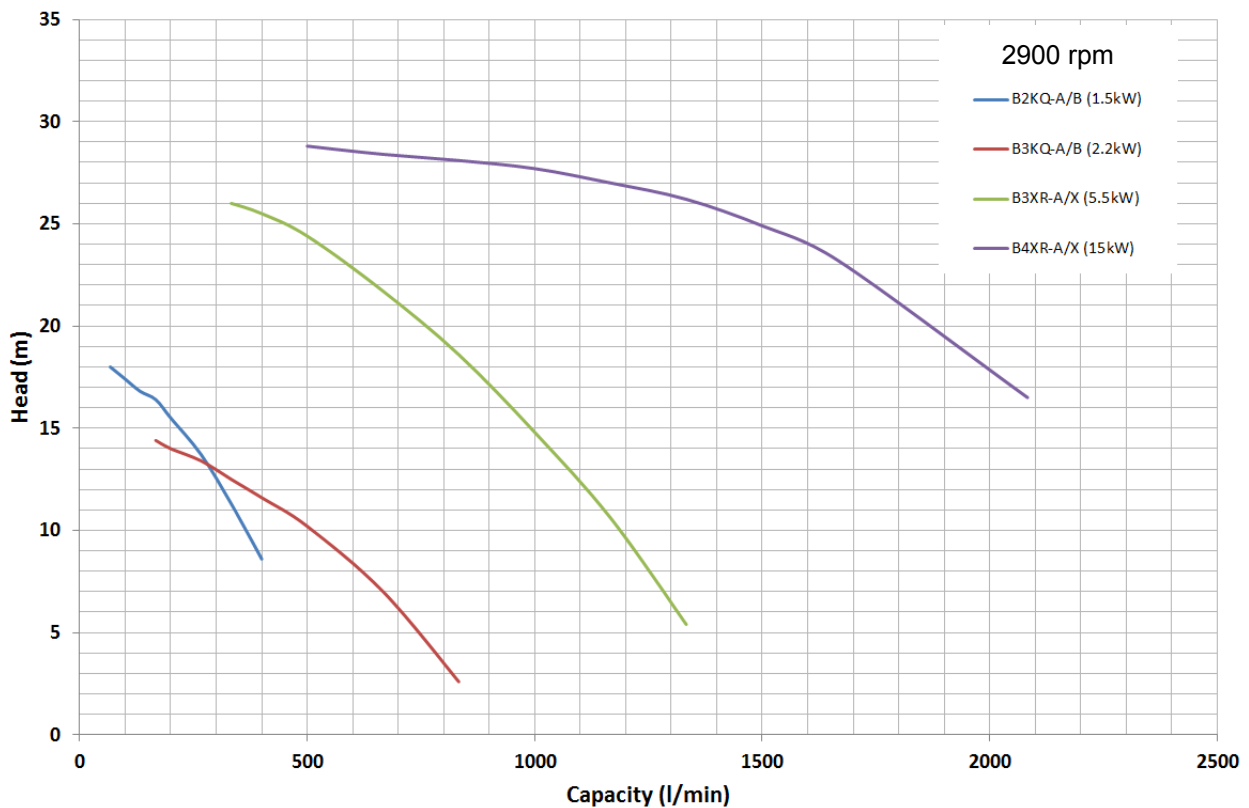
Model	CAT number	RPM	Suct/Del	PSI	Total Head (m)	Capacity (l/m)	Hydraulic requirements at 3,000 rpm
<i>NIAL bronze - Marine Grade ... stainless steel plugs & fasteners</i>							
B2KQ-A/B	AAT3/AA9U	3000	2" x 2"	25	18	440	8.5cm ³ /rev, 100 bar (3kW)
B3KQ-A/B	AA3G/AA1Q	3000	3" x 3"	22	16	900	8.5cm ³ /rev, 100 bar (3kW)
B3XR-A/B		3000	3" x 3"		31	1500	35cm ³ /rev, 100 bar (12.5kW)
B4XR-A/B		3000	4" x 4"		30	2200	35cm ³ /rev, 100 bar (12.5kW)
<i>Stainless Steel—316 Grade for corrosive applications</i>							
B2KQ-A/X		3000	2" x 2"		18	440	8.5cm ³ /rev, 100 bar (3kW)
B3XR-A/X		3000	3" x 3"	43	31	1500	35cm ³ /rev, 100 bar (12.5kW)
B4XR-A/X		3000	4" x 4"	42	30	2200	35cm ³ /rev, 100 bar (12.5kW)

Performance figures to be taken as a guide only, for detailed performance curves contact an Aussie Gold Dealer.



Model	A (mm)	B (mm)	C (mm)	D (mm)	E (mm)	F (mm)	G (mm)	H (mm)	I (mm)	J (mm)	K (mm)	L (mm)	M (mm)
B2KQ-A	390	295	184	119	2"	2"	106	167	103	231	87	72.5	132
B3KQ-A	425	295	185	147	3"	3"	106	201.5	103	226.5	87.5	72.5	132
B3XR-A	650	400	280	175	3"	3"	140	232	105	315	136	230	170
B4XR-A	695	450	365	196	4"	4"	-	308	75	311	181	230	182

Performance Curves:



Performance figures to be taken as a guide only, for detailed performance curves contact Aussie Pumps

HYDRAULIC MOTOR DRIVEN PUMP APPLICATION INSTRUCTIONS

HYDRAULIC SYSTEM REQUIREMENTS:

The hydraulic motor driven pump can be operated on either a closed centre or open centre hydraulic system. The maximum system requirement is 31 litres per minute of hydraulic fluid flow for models up to and including B3KQA/ST units. The system requirement for the larger units is 103 litres per minute. Flows less than or greater than this may result in a lower pump speed, lower pump output, and lower pressure delivered by the pump. Flows exceeding these levels may damage the hydraulic motor and the pumps.

CLOSED CENTRE VERSUS OPEN CENTRE HYDRAULIC SYSTEMS:

An OPEN CENTRE hydraulic system is based on either a vane or gear type hydraulic pump. These pumps have a constant output proportional to the speed of the engine driving them. When this flow is not being used, a valve diverts the flow back to the hydraulic reservoir where it is recirculated through the pump. The term "open centre" is derived from the type of valve used to control an open centre system. The open centre position of the hydraulic valve permits the flow of hydraulic fluid back to the reservoir in the neutral position. A CLOSED CENTRE system uses a variable displacement piston pump. This type of pump varies its output from zero flow to maximum flow depending on the demands put to it by the system. All this happens without disengaging or changing the speed of the engine driving the pump. The term "closed centre" comes from the fact that the type of valve used to control this system completely shuts off the flow in the neutral position.

INSTALLATION OF PUMP ON AN OPEN CENTRE SYSTEM:

The pump hydraulic motor has a BUILT-IN BYPASS VALVE to control the amount of oil flowing through the motor, thus controlling the RPM of the motor. After determining that your hydraulic power supply meets the minimum hydraulic fluid flow, the supply line from the hydraulic pump or control valve should be connected to the inlet port of the hydraulic motor. The outlet port should be connected to return to the hydraulic system reservoir. Before starting up the system, the bypass valve should be opened far enough to ensure that the motor will not overspeed. To do this, loosen the locking nut on the bypass valve. Close the bypass valve by turning the screw clockwise until it seats. Then turn it out about three full turns.

With the hydraulic motor bypass valve open, the speed of the motor will be slow. Close the bypass valve slowly by turning it **clockwise** until the pump starts pumping. This should be done with the pump discharge valve open. Once the pump is pumping liquid, the discharge valve can be closed. At this point, the pump should not be developing very much pressure. This is an indication that the pump is not yet up to full speed. To get maximum pump performance, slowly close the motor bypass valve by turning it **clockwise**.

Optional Accessories:

- Heavy duty galvanised roll frame (standard on diesel drive)
- Heavy duty suction hoses 2" and 3"
- Medium pressure lay flat delivery hose, working pressure 100 psi
- High flow diesel transfer fuel nozzle
- Carbon ceramic, silicon carbide, tungsten carbide or Viton seals available

Due to our program of continuous product development the manufacturer reserves the right to alter specifications without notice.