



"BIG BERTY" BERTOLINI TRIPLEX PUMPS

Model Numbers: **AKM Series**



Product Description:

Stainless steel, heavy duty slow speed triplex pumps, flows to 20 lpm and pressures to 2200 psi (150 bar).

Applications:

- Food processing
- Pharmaceutical & chemical industries
- Reverse osmosis
- Desalination

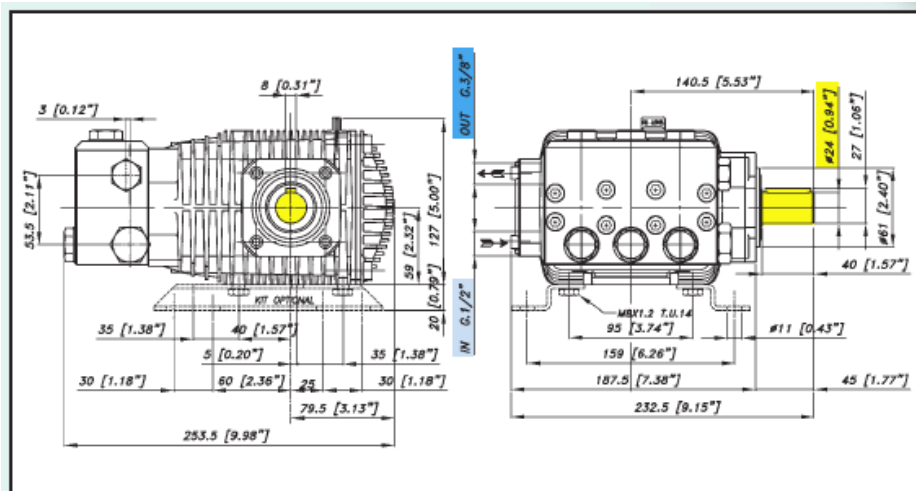
Features :

- 316 stainless steel pump head
- Compact design
- State of the art components
- For direct drive to electric motors (1450 rpm) and to engines through gearbox or pulley.

Benefits:

- Suits pumping corrosive liquids under various working conditions
- Easy installation
- Robust, giving efficient performance for longer
- Suitable for sustained continuous applications

Pump Model	Stock Code	Volume (l/min)	Pressure		RPM	Required HP		Weight (kg)
			bar	psi		kW	HP	
AKML1215	BAKML1215	12	150	2200	1450	3.3	4.4	8.8
AKML1315	BAKML1315	13	150	2200	1450	3.8	5.1	8.8
AKML1515	BAKML1515	15	150	2200	1450	4.3	5.7	8.8
AKML1715	BAKML1715	17	150	2200	1450	5.0	6.7	8.8
AKML2015	BAKML2015	20	150	2200	1450	5.6	7.5	8.8



Specifications	WBL Series
Diameter	G. 1/2"
Pressure - Min	-0.1 bar -1.5 psi
Pressure - Max	6 bar 87 psi
Temperature	74° C. 165° F
Diameter - Out	G. 3/8
Shaft	24mm
Oil - SAE30 30w	0.7 litre 0.18 USG

