



"BIG BERTY" BERTOLINI TRIPLEX PUMPS

Model Numbers: **TTV Series**
KKV Series

KTV Series
HD Series



KKV Series

KTV Series

TTV Series

HD Series

Product Description:

Heavy duty slow speed triplex pumps, flows to 42 lpm and pressures to 4300 psi (300 bar). As used on Aussie Monsoon series electric pressure cleaners and BB series

Drive System:

- 4 pole electric motors 5.5 hp (4 kW) to 15 hp (11kW)
- Petrol engine gear box or belt drive
- Diesel engine gear box or belt drive
- Hydraulic drive

Features :

- Forged brass head
- New valves and caps
- Rapid action, mirror finish valves
- Exclusive double V and U packing seal, with fabric reinforced nitrile buna and elastomer
- Premium, oversized bearings
- Highly polished ceramic pistons
- Big die cast aluminium crankcase, ribbed for cooling
- Tenifer stainless steel piston rods

Applications:

- High pressure cleaning
- Dust suppression
- Industrial processes
- Car wash
- Mineral processes
- Drain cleaning

Benefits:

- Suitable for sustained continuous applications
- Designed for greater endurance of high pressure and minimises risk of over tightening
- Prevents corrosion, enhances high dynamic fluid efficiency
- Sustained long running, can provide years of leak free operation
- Extends life even under extreme working conditions
- Long life wear reductions even in sustained high pressure performance
- Reduces oil temperature, increases pump life
- Provides smooth harder surface for increased seal life

Specifications	TTV	KKV	KTV	HD
Diameter	G. 3/4	G. 1"	G. 3/4	G. 1/2
Pressure - Min	-0.1bar -1.5 psi	-0.1bar -1.5 psi	-0.1bar -1.5 psi	-0.1bar -1.5 psi
Pressure - Max	6 bar 87 psi	6 bar 87 psi	6 bar 87 psi	6 bar 87 psi
Temperature	74° C. 165° F	74° C. 165° F	74° C. 165° F	60° C. 140° F
Diameter - Out	G. 3/8	G. 1/2	G. 3/8	G. 3/8
Shaft	24mm	30mm	30mm	30mm
Oil - SAE30 30w	1.3 litre 0.34 USG	1.4 litre 0.37 USG	1.4 litre 0.37 USG	1.4 litre 0.37 USG



"BIG BERTY" BERTOLINI TRIPLEX PUMPS

Model Numbers: **TTV Series**

Product Description:

Bertolini TTV Series

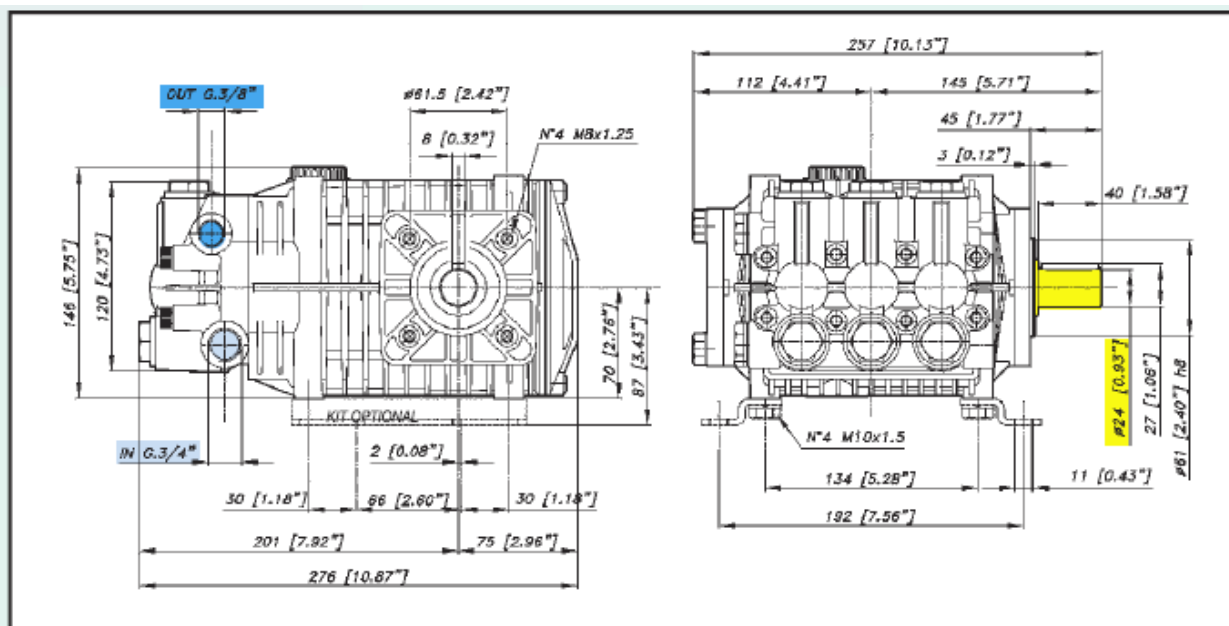
Slow speed, high performance triplex pumps, designed for extended life operating at high pressures.

Maximum Flows 24 lpm
 Maximum Pressure 3000 psi (210 bar)
 Speed 1450 rpm
 Shaft size 24 mm



Piston Pumps TTV Series							
Pump Model	Volume (l/min)	Pressure		RPM	Required HP		Weight (kg)
		bar	psi		electric	petrol	
TTV1515	15	150	2200	1450	5.7	9	14.5
TTV2015	15	210	3000	1450	7.8	14.5	14.5
TTV1618	18	160	2300	1450	7.1	14	14.5
TTV2018	18	210	3000	1450	8.8	12.5	14.5
TTV1521	21	150	2200	1450	7.8	10	14.5
TTV2021	21	210	3000	1450	10.3	16	14.5
TTV1525	24	150	2200	1450	9.2	13	14.5
TTV2024	24	210	3000	1450	12.3	18	14.5

Three cylinder ceramic piston pumps with solid shaft diameter, 24mm, for electric motor with hollow shaft and petrol engine 5-12hp by flange gearbox RT1121 (TTV)





"BIG BERTY" BERTOLINI TRIPLEX PUMPS

Model Numbers: **KKV Series**

Product Description:

Bertolini KKV Series

Slow speed, high performance triplex pumps, designed for extended life operating at high pressures.

Maximum Flows 42 lpm
 Maximum Pressure 3000 psi (210 bar)
 Max Speed 1725 rpm
 Shaft size 30 mm



Piston Pumps KKV Series

Pump Model	Volume (l/min)	Pressure		RPM	Required HP		Weight (kg)
		bar	psi		electric	petrol	
KKV2025	25	210	3000	1450	12.6	18	18
KKV2028	28	210	3000	1450	14	20	18
KKV1232	32	120	1750	1450	9.6	14	18
KKV1632	32	160	2300	1450	13	18	18
KKV1636	36	160	2300	1450	14.5	20	18

3 cylinder ceramic piston pumps with solid shaft diameter, 30mm, for electric motor with hollow shaft and petrol engine 10-18hp by flange gearbox.

KKV2367	25	160	2300	1725	10.2	15	18
KKV3067	25	210	3000	1725	13.4	18	18
KKV3078	30	210	3000	1725	15.7	24	18
KKV3087	33	210	3000	1725	17.4	28	18
KKV2311	42	160	2300	1725	17	28	18

3 cylinder ceramic piston pumps with solid shaft diameter, 30mm, for electric motor with hollow shaft and petrol engine 12-18hp by flange gearbox.

