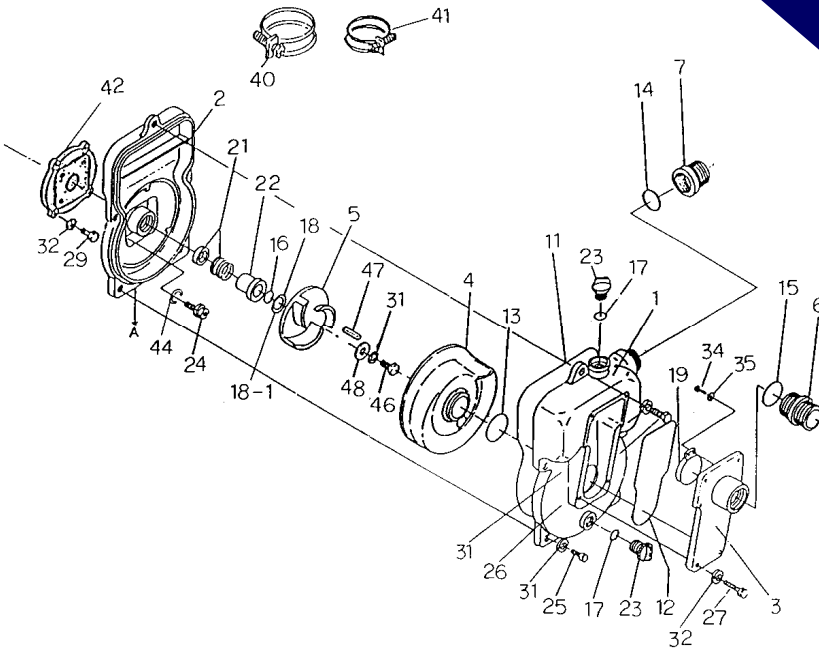






## AUSSIE SPARES DIAGRAM & PARTS LIST

AUSSIE QP TRANSFER PUMPS: QP3310/GX240 (INTRODUCED OCT 2010)  
(AND ALL OTHER 1" SHAFT ENGINES)



**RENEW OR UPGRADE**  
YOUR PUMP WITH AN  
AUSSIE WET END KIT  
**ONLY \$1,489**

SUITS 1" KEVED SHAFT  
(P/N: QP3310KIT)



Position	Part number	Description	Qty	Retail price
1	Q9430-100010	CASING	1	\$1,111
2	Q4421-100020	CASING COVER	1	\$778
3	Q9430-100160	SUCTION COVER	1	\$331
4	Q9430-000130	VOLUTE CASING	1	\$392
5	Q4414-000030	IMPELLER for 1" keyed shaft	1	\$307
5	Q2461-000030	IMPELLER for 1" screwed shaft	1	\$307
6	Q079000-4030-0011	NIPPLE	1	\$117
7	Q079890-4030-0011	SOCKET	1	\$148
8	Q1434-214010-0014	FRAME	1	\$234
9	Q1440-214020-0004	ENGINE BASE	1	\$219
11	Q048935-3850	O-RING (CASING)	1	\$89
12	Q048935-2400	O-RING (SUCTION COVER)	1	\$52
13	Q048131-0950	O-RING (VOLUTE CASING)	1	\$12
14	Q048131-1000	O-RING (SOCKET)	1	\$20
15	Q048131-1100	O-RING (NIPPLE)	1	\$23
16	Q048220-0240	O-RING (MECH SEAL SLEEVE)	1	\$9
17	Q048035-0300	O-RING(FLOODING/DRAIN CAP)	2	\$5
18	Q085283-4525	ADJUST LINER	1	\$8
18-1	Q085285-4525	ADJUST LINER	1	\$8
19	Q9430-350350	CHECK VALVE	1	\$85
21	Q080611-3630	MECHANICAL SEAL	1	\$235
22	Q081188-3051	MECHANICAL SEAL SLEEVE FLOODING/DRAIN CAP WITH	1	\$286
23	Q063121-1100	ASSY O-RING	2	\$20
24	Q010505-0820	BOLT	4	\$1
25	Q010505-1240	BOLT	4	\$5
26	Q010505-1250	BOLT	1	\$5
27	Q010505-1040	BOLT	6	\$3
29	Q019116-0625	BOLT	2	\$3
31	Q045125-0120	SPRING WASHER	5	\$1
32	Q045125-0100	SPRING WASHER	24	\$1
33	Q040145-0100	WASHER	4	\$1
34	Q014109-0616	SCREW	2	\$1
35	Q040145-0060	WASHER	2	\$1

**PURCHASE A KIT AND SAVE UP TO 40%**  
**ON BUYING INDIVIDUAL PARTS**

### Replacement Kits

Part number	Description	Positions	Retail Price
Q402-ORKIT	O ring Kit	11, 12, 13, 14, 15, 16, 17	\$61.60
Q402REJ	Rejuvenation Kit	11, 13, 16, 18, 21	\$297

**FIVE YEAR WARRANTY**  
**ON ALL AUSSIE QP PUMPS**  
... subject to the use of genuine  
Aussie replacement parts.

Position	Part number	Description	Qty	Retail price
40	Q093225-0090	WIRE HOSE BAND	2	\$25
41	Q093225-3000	WIRE HOSE BAND	1	\$25
42	Q4313-000600-0011	CASING COVER SET PLATE	1	\$132
44	Q045822-0080	SEAL WASHER	4	\$20
46	Q019115-0730	IMPELLER SET BOLT	1	\$7
47	Q052004-0422	KEY	1	\$16
48	Q4334-201240-0011	IMPELLER WASHER	1	\$5



To ensure correct impeller is ordered compare vane type with impeller shown (i.e open vanes, for either a keyed or screwed impeller.)

RELIABLE PRODUCTS ... RELIABLE PEOPLE

