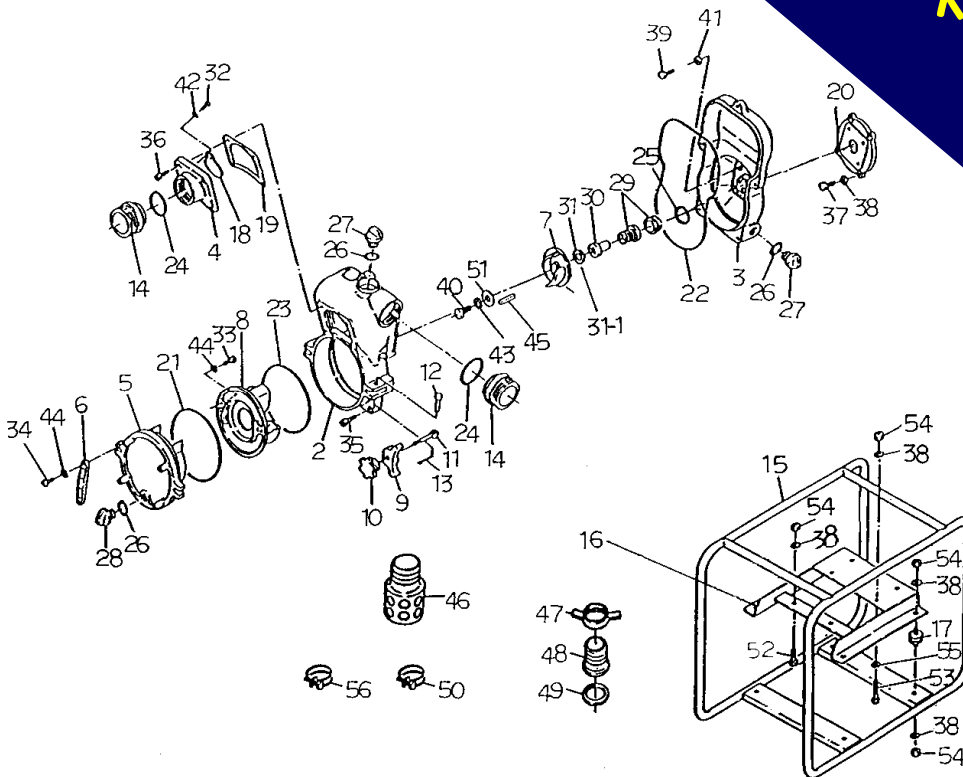




**AUSSIE SPARES DIAGRAM & PARTS LIST**  
**AUSSIE QP TRASH PUMPS:QP301T/GX240**  
**(AND ALL 1" SHAFT PETROL ENGINES)**

**RENEW OR UPGRADE**  
**YOUR PUMP WITH AN**  
**AUSSIE WET END KIT**  
**ONLY \$1,573**

(P/N: QP301TKIT  
 SUITS 1" KEYED SHAFT)



**PURCHASE A KIT AND SAVE UP TO 40%**  
**ON BUYING INDIVIDUAL PARTS**

Position	Part number	Description	Qty	Retail price
2	1317-100010	CASING	1	\$1,142
3	1317-100020	MOUNTING FLANGE	1	\$1,037
4	1317-100160	SUCTION COVER	1	\$289
5	1247-100170	DRAIN COVER	1	\$451
6	1247-100250	DRAIN COVER HANDLE	2	\$39
7	4334-000030	IMPELLER	1	\$298
8	1317-000130	VOLUTE CASING	1	\$282
9	1247-000200-0014	DRAIN COVER PUSH PLATE	2	\$36
10	1247-000190-0014	DRAIN COVER SET HANDLE	2	\$36
11	1247-200270	HINGE BOLT	2	\$47
12	1247-220280	HINGE PIN	2	\$7
13	064140-0430	SPLIT PIN	2	\$1
14	079000-3030-0011	NIPPLE	2	\$153
15	1964-214010-0004	FRAME	1	\$251
16	1353-214020-0004	ENGINE BASE	1	\$246
17	072330-2040	CUSHION RUBBER	4	\$16
18	1317-350350	CHECK VALVE	1	\$60
19	1317-330370	SUCTION COVER PACKING	1	\$43
20	4313-000600-0011	CASING COVER SET PLATE	1	\$132
21	048935-2400	O-RING (DRAIN COVER)	1	\$36
22	048935-3970	O-RING (CASING)	1	\$89
23	048931-2300	O-RING (VOLUTE CASING)	1	\$36
24	048131-0800	O-RING (NIPPLE)	2	\$11
25	048220-0240	O-RING (MECHANICAL SEAL SLEEVE)	1	\$5
26	048035-0300	O-RING(FLOODING DRAIN CAP)	3	\$5
27	063121-1100ASSY	FLOODING CAP WITH O-RING	2	\$19
28	063121-1100ASSY	DRAIN CAP WITH O-RING	1	\$19
29	080112-3530	MECHANICAL SEAL	1	\$375
30	081188-3051	MECHANICAL SEAL SLEEVE	1	\$233
31	085283-4525	ADJUST LINER	1	\$8
31-1	085285-4525	ADJUST LINER	1	\$8
32	014109-0510	SCREW	2	\$1
33	014109-0820	SCREW	2	\$5
34	014105-0825	SCREW	4	\$1
35	013115-1235	CAP SCREW	5	\$7
36	013115-1030	CAP SCREW	4	\$5
37	019116-0625	BOLT	4	\$3
38	045125-0100	SPRING WASHER	18	\$1

**Replacement Kits**

Part number	Description	Positions	Retail Price
Q301T-ORKT	O ring Kit	21, 22, 23, 24, 25, 26,	\$180
Q301TREJ	Rejuvenation Kit	22, 29, 31	\$405

Position	Part number	Description	Qty	Retail price
39	010505-0820	BOLT	4	\$5
40	019115-0730	IMPELLER SET BOLT	1	\$21
41	045822-0080	SEAL WASHER	4	\$1
42	040145-0050	WASHER	2	\$1
43	045125-0120	SPRING WASHER	1	\$1
44	045125-0080	SPRING WASHER	6	\$1
45	052004-0422	KEY	1	\$8
46	QSTRAINER301T	STRAINER	1	\$73
47, 48, 49	QCOUPLING3"	COUPLING KIT	2	\$73
50	093225-3000	WIRE HOSE BAND	1	\$9
51	4334-201240-0011	IMPELLER WASHER	1	\$9
52	010505-1035	BOLT	2	\$3
53	010505-1045	BOLT	4	\$3
54	020545-0100	NUT	14	\$1
55	040145-0100	WASHER	4	\$1
56	093225-0090	WIRE HOSE BAND	2	\$9

**FIVE YEAR WARRANTY**  
**ON ALL AUSSIE QP PUMPS**  
 ... subject to the use of genuine  
 Aussie replacement parts.



RELIABLE PRODUCTS ... RELIABLE PEOPLE

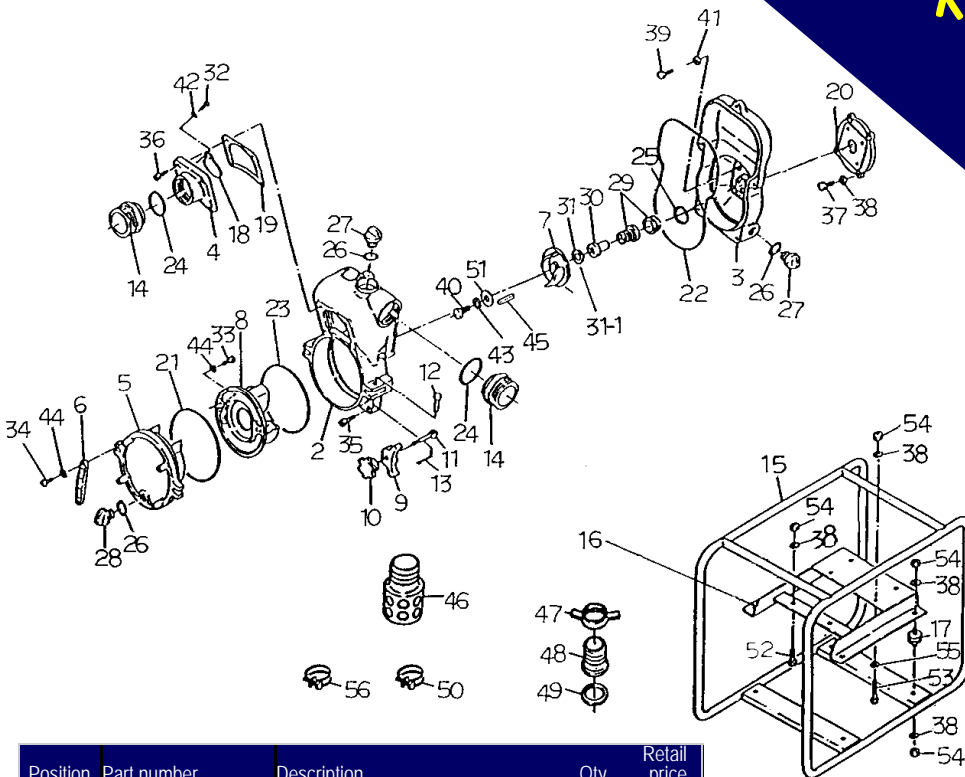


## AUSSIE SPARES DIAGRAM & PARTS LIST

**AUSSIE QP TRASH PUMPS: QP301T/L70 & QP301T/L100  
(AND ALL 1" SHAFT DIESEL ENGINES)**

**RENEW OR UPGRADE  
YOUR PUMP WITH AN  
AUSSIE WET END KIT  
ONLY \$1,573**

(P/N: QP301TKIT N/F  
SUITS 1" KEYED SHAFT)



**PURCHASE A KIT AND SAVE UP TO 40%  
ON BUYING INDIVIDUAL PARTS**

Position	Part number	Description	Qty	Retail price
2	1317-100010	CASING	1	\$1,142
3	1317-100020	MOUNTING FLANGE (L70)	1	\$1,037
3	7301-100020	MOUNTING FLANGE (L100)	1	\$1,037
4	1317-100160	SUCTION COVER	1	\$289
5	1247-100170	DRAIN COVER	1	\$451
6	1247-100250	DRAIN COVER HANDLE	2	\$39
7	2361-000030	IMPELLER (L70)	1	\$298
7	4334-000030	IMPELLER (L100)	1	\$298
8	1317-000130	VOLUTE CASING	1	\$282
9	1247-000200-0014	DRAIN COVER PUSH PLATE	2	\$36
10	1247-000190-0014	DRAIN COVER SET HANDLE	2	\$36
11	1247-200270	HINGE BOLT	2	\$47
12	1247-220280	HINGE PIN	2	\$7
13	064140-0430	SPLIT PIN	2	\$1
14	079000-3030-0011	NIPPLE	2	\$153
15	2375-184010	GAL FRAME (L70)	1	\$251
15	2376-184010	GAL FRAME (L100)	1	\$251
16	2375-184020	ENGINE BASE (L70)	1	\$246
16	2376-184020	ENGINE BASE (L100)	1	\$246
17	072330-2040	CUSHION RUBBER (L70)	4	\$16
17	072330-3032	CUSHION RUBBER (L100)	4	\$16
18	1317-350350	CHECK VALVE	1	\$60
19	1317-330370	SUCTION COVER PACKING	1	\$43
20	4313-000600-0011	CASING COVER SET PLATE	1	\$132
21	048935-2400	O-RING (DRAIN COVER)	1	\$36
22	048935-3970	O-RING (CASING)	1	\$89
23	048931-2300	O-RING (VOLUTE CASING)	1	\$36
24	048131-0800	O-RING (NIPPLE)	2	\$11
25	048220-0240	O-RING (MECHANICAL SEAL SLEEVE)	1	\$5
26	048035-0300	O-RING (FLOODING DRAIN CAP)	3	\$5
27	063121-1100ASSY	FLOODING CAP WITH O-RING	2	\$19
28	063121-1100ASSY	DRAIN CAP WITH O-RING	1	\$19
29	080112-3530	MECHANICAL SEAL	1	\$375
30	081188-3051	MECHANICAL SEAL SLEEVE	1	\$233
31	085283-4525	ADJUST LINER	1	\$8
31-1	085285-4525	ADJUST LINER	1	\$8
32	014109-0510	SCREW	2	\$1
33	014109-0820	SCREW	2	\$5
34	014105-0825	SCREW	4	\$1
35	013115-1235	CAP SCREW	5	\$7

### Replacement Kits

Part number	Description	Positions	Retail Price
Q301T-ORKT	O ring Kit	21, 22, 23, 24, 25, 26,	\$180
Q301TREJ	Rejuvenation Kit	22, 29, 31	\$405

Position	Part number	Description	Qty	Retail price
36	013115-1030	CAP SCREW	4	\$5
37	019116-0625	BOLT	4	\$3
38	045125-0100	SPRING WASHER	18	\$1
39	010505-0820	BOLT	4	\$5
40	019115-0730	IMPELLER SET BOLT	1	\$21
41	045822-0080	SEAL WASHER	4	\$1
42	040145-0050	WASHER	2	\$1
43	045125-0120	SPRING WASHER	1	\$1
44	045125-0080	SPRING WASHER	6	\$1
45	052004-0422	KEY	1	\$8
46	QSTRAINER301T	STRAINER	1	\$73
47, 48, 49	QCOUPLING3*	COUPLING KIT	2	\$73
50	093225-3000	WIRE HOSE BAND	1	\$9
51	4334-201240-0011	IMPELLER WASHER	1	\$9
52	010505-1035	BOLT	2	\$3
53	010505-1045	BOLT	4	\$3
54	020545-0100	NUT	14	\$1
55	040145-0100	WASHER	4	\$1
56	093225-0090	WIRE HOSE BAND	2	\$9

**FIVE YEAR WARRANTY  
ON ALL AUSSIE QP PUMPS**

RELIABLE PRODUCTS ... RELIABLE PEOPLE

