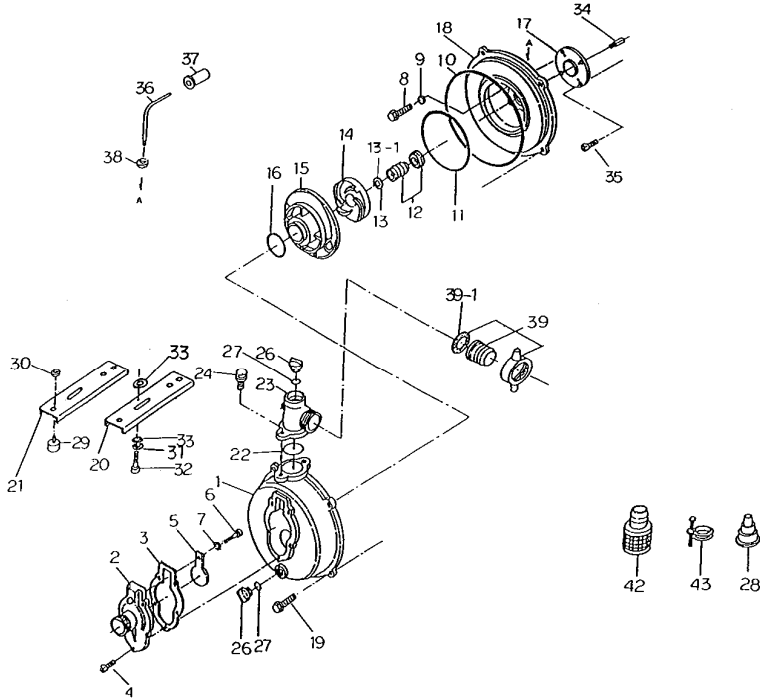




AUSSIE SPARES DIAGRAM & PARTS LIST

AUSSIE QP ULTRALITE PUMPS: QP154SX/GXH50



Position	Part number	Description	Qty	Retail price
1	Q1714-100010	CASING	1	\$227
2	Q1714-100160	SUCTION COVER 1.5"	1	\$57
3	Q1714-330370	SUCTION COVER PACKING	1	\$17
4	Q014105-0512	SCREW (SUCTION COVER)	5	\$1
5	Q1701-350350	CHECK VALVE 1.5"	1	\$27
6	Q014109-0510	SCREW (CHECK VALVE)	1	\$1
7	Q040145-0050	PLAIN WASHER (CHECK VALVE)	1	\$1
8	Q010505-0620	BOLT (CASING COVER)	4	\$1
9	Q045822-0060	SEAL WASHER	4	\$1
10	Q048931-1810	O-RING (CASING)	1	\$23
11	Q048924-1380	O-RING (VOLUTE CASING) L	1	\$16
12	Q080611-2515	MECHANICAL SEAL	1	\$108
13	Q085283-1812	ADJUST LINER	1	\$4
13-1	Q085285-1812	ADJUST LINER	1	\$4
14	Q1129-100030	IMPELLER	1	\$39
15	Q1714-100130	VOLUTE CASING	1	\$56
16	Q048220-0380	O-RING (VOLUTE CASING) S	1	\$10
17	Q1129-060600	CASING COVER SET PLATE	1	\$259
18	Q1714-100021	CASING COVER	1	\$176
19	Q018105-1025	BOLT SET WITH SPRING WASHER	4	\$3
20	Q1126-204010-0004	BASE (R)	1	\$67
21	Q1126-204260-0004	BASE (L)	1	\$67
22	Q048035-0440	O-RING (DELIVERY ELBOW)	1	\$5
23	Q1714-100091	DELIVERY ELBOW 1.5"	1	\$55
24	Q018105-0820	BOLT SET WITH SPRING WASHER	2	\$1
26	Q063121-1060ASSY	FLOODING/DRAIN CAP WITH O-RING (NO.27)	2	\$16
27	Q048131-0250	O-RING (FLOODING / DRAIN CAP)	2	\$5
28	Q074120-4313	HOSE JOINT	1	\$15
29	Q072332-2030R	CUSHION RUBBER	4	\$9
30	Q020915-0060	FLANGE NUT	4	\$1
31	Q045125-0060	SPRING WASHER (CUSHION RUBBER)	8	\$1
32	Q010505-0616	BOLT (ENGINE)	4	\$1
33	Q040145-0014	WASHER (ENGINE)	8	\$1
34	Q1129-221010	PUMP SHAFT	1	\$136
35	Q014105-0620	SCREW	4	\$1
36	Q1101-207010	HANDLE	1	\$45
37	Q073133-1230	HANDLE RUBBER	1	\$15
38	Q020545-0120	NUT	1	\$3
39	QCOUPLING1.5"	HOSE COUPLING SET	2	\$29
39-1	Q074131-0481	HOSE COUPLING PACKING	2	\$24
42	QSTRAINER1.5"	STRAINER	1	\$35
43	Q093225-1120	WIRE HOSE BAND	3	\$8

PURCHASE A KIT AND SAVE UP TO 40% ON BUYING INDIVIDUAL PARTS

Replacement Kits	Part number	Description	Positions	Retail Price
Q154SXREJKIT	Rejuvenation Kit		10, 11, 12, 13	\$92

FIVE YEAR WARRANTY ON ALL AUSSIE QP PUMPS
... subject to the use of genuine Aussie replacement parts.

RELIABLE PRODUCTS ... RELIABLE PEOPLE

