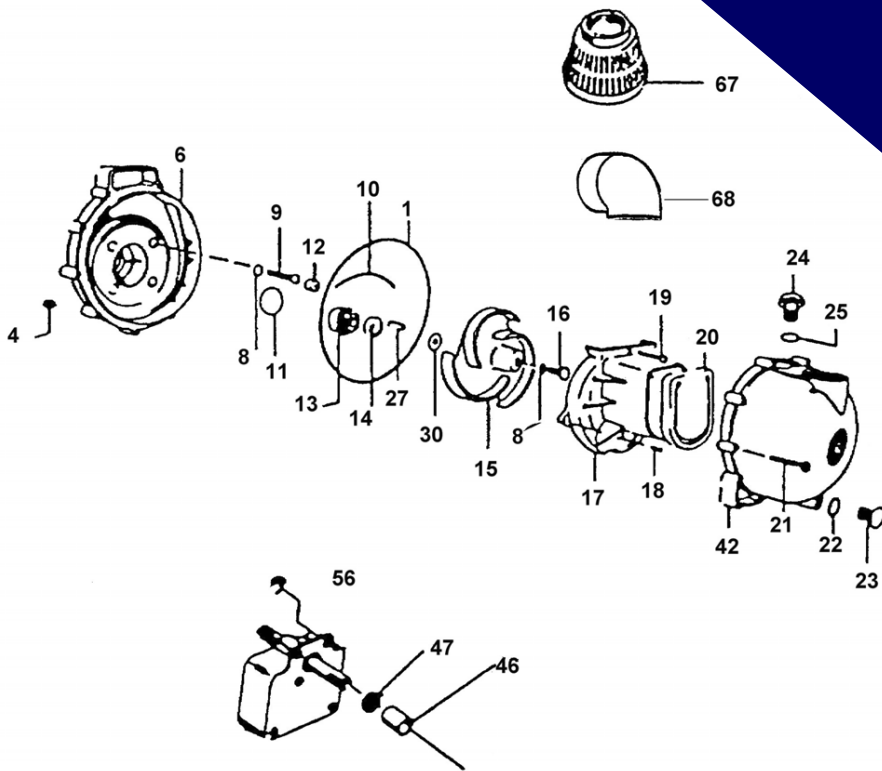




AUSSIE SPARES DIAGRAM & PARTS LIST

AUSSIE POLY PUMPS: RSE SERIES

**RENEW OR UPGRADE
YOUR PUMP WITH AN
AUSSIE POLY WET END KIT**
2" ONLY \$430
3" ONLY \$629



**PURCHASE A KIT &
SAVE UP TO 25%
ON BUYING INDIVIDUAL PARTS**

Position	Part number	Description	Qty	Retail price
1	O-RING BODY BUNA N	58.0719.71	1	\$21
1	O-RING BODY EPDM	58.0719.72	1	\$25
1	O-RING BODY VITON	58.0719.73	1	\$127
6	BACK CASING	58.0703.3B	1	\$199
13-14	MECHANICAL SEAL BUNA N 316SS CARBON CERAMIC	58.0714.11	1	\$84
13-14	MECHANICAL SEAL EPDM 316SS CARBON CERAMIC	58.0714.12	1	\$84
13-14	MECHANICAL SEAL VITON 316SS CARBON CERAMIC	58.0714.14	1	\$209
15	IMPELLER HIGH VOLUME 4 VANE 975	58.0975.30	1	\$75
15	IMPELLER HIGH HEAD 5 VANE 706	58.0706.30	1	\$75
17	VOLUTE HIGH VOLUME (975)	58.0977.30	1	\$134
17	VOLUTE HIGH HEAD (706)	58.0702.30	1	\$180
20	CHECK VALVE BUNA N	58.0705.71	1	\$69
20	CHECK VALVE EPDM	58.0705.72	1	\$69
20	CHECK VALVE VITON	58.0705.73	1	\$234
23	DRAIN PLUG	58.0723.30	1	\$6
24	FILLER PLUG	58.0722.30	1	\$7
42	FRONT CASING 2"	58.0784.30	1	\$164
42a	FRONT CASING 3"	58.0877.30B	1	\$298
46	SHAFT SLEEVE	58.0882.90	1	\$4
56	PLASTIC PEDESTAL KIT - CARBON STEEL SHAFT	58.0001	1	\$195
56b	CAST IRON PEDESTAL KIT-STAINLESS STEEL SHAFT	RKIT097	1	\$921
70a	OPTIONAL DELIVERY ELBOW 2" BSP	58.1367.40	1	\$16
70b	OPTIONAL DELIVERY ELBOW 3" BSP	58.1368.40	1	\$23

CONVERSION KITS (includes shaft seal, check valve, all o-rings to rebuild pump)				
S2 & 3	BUNA N	58.0014	1	\$150
S2 & 3	EPDM	58.0005	1	\$150
S2 & 3	VITON	58.0017	1	\$546

PUMP REPAIR KIT (includes shaft seal most r-rings (except body o-ring & check valve) impeller screw, volute screws, shims to repair pump)				
S2 & 3	Viton Seal repair kit	58.0026	1	\$255

ACCESSORIES				
	PROTEK MOTOR PROTECTION KIT	58.0015	1	\$286
	GALVANISED ROLL FRAME	AFRAMEL48GAL	1	\$286

RELIABLE PRODUCTS ... RELIABLE PEOPLE

