

SPARES MANUAL



Aussie Gigante Revision: #0 (March 10)

Index

Complete base set pag.3

Motor pump set GIGANTE 275/18 pag.4

Pump components diagram GIGANTE 275/18 pag.5

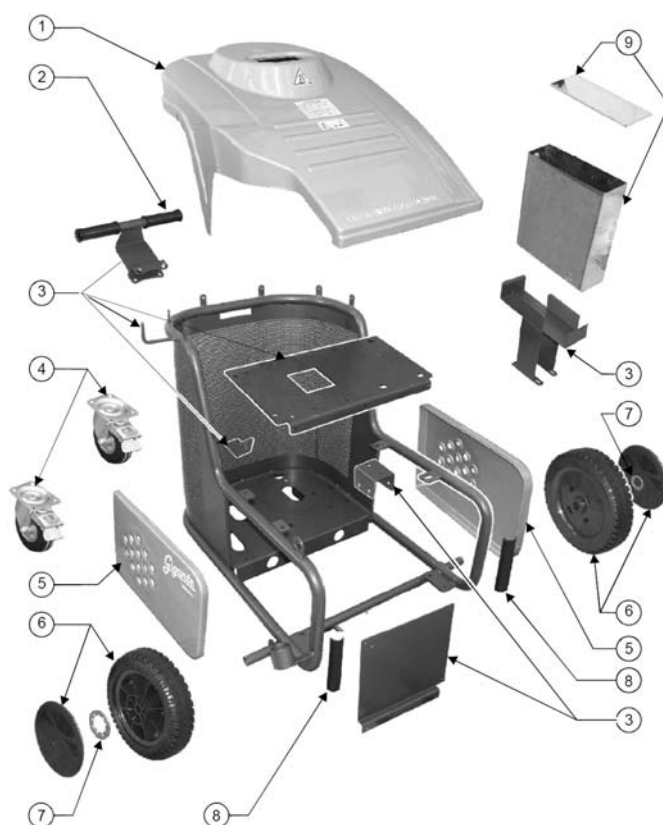
Pump Accessories pag.5

Accessories pag.6

Burner: list of components pag.7

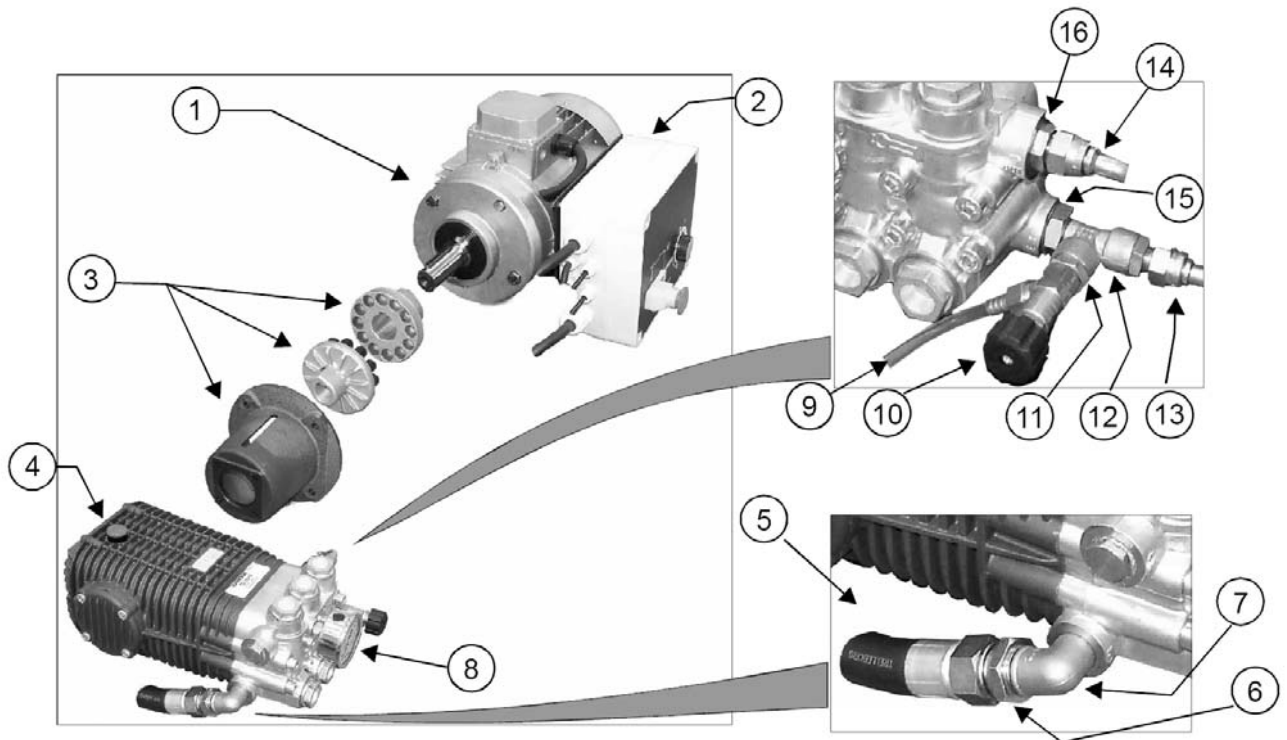
Electrical panel pag.9

Complete Base Set



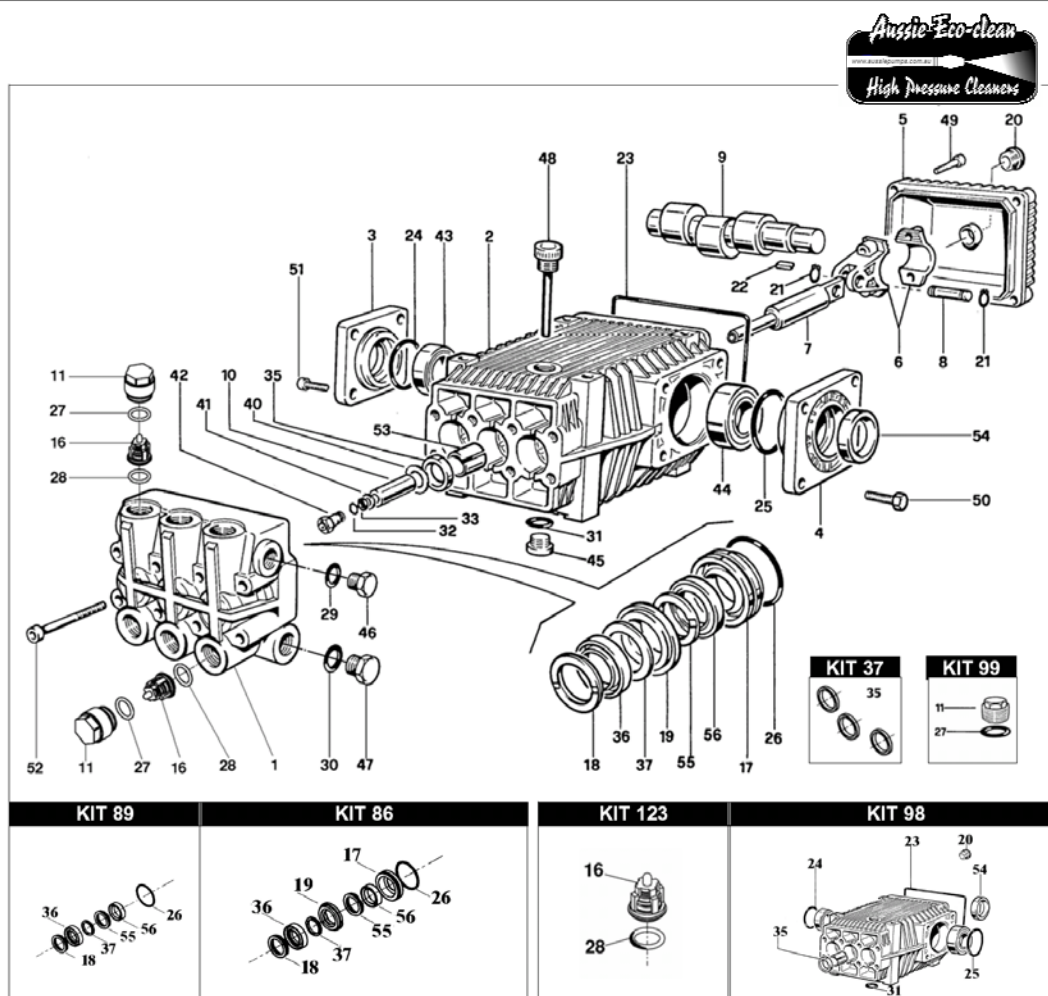
POS.	CODE	DESCRIPTION	Q.TY
1	MPL.0005	GREY CASING	1
2	GAM.7317140	KNURLED HANDLE	2
3	ZX.1118	BASE SET	1
4	CDR.7341	WHEEL	2
5	LM.0021	GREY SIDE	1
6	T.SPV30025	VULCANIZED RUBBER WHEEL + KNOB	2
7	T.RDF25	FLAT Ø25	2
8	GE.60309N	PLASTIC PROTECTION	1
9	TEC.GIG019	WATER TANK	1

Motor pump set 1450 150/33 -3x400V



POS.	CODE	DESCRIPTION	Q.TY
1	ML.131922T082	ELECTRIC MOTOR 12,5 HP	1
2	ZX.0061	COMPLETE ELECTRICAL PANEL	1
3	CDR.0592	ELASTIC COUPLING	1
4	KTV3018	BERTOLINI PUMP 1450 RPM	1
5	D.0046	ASPIRATION HOSE	1
6	VN.N134	NIPLEX G 3/4 M -3/4 M	1
7	CDR.7203	L.P. BRASS ELBOW G 3/4 M -3/4 F	1
8	AGCDR0102	GAUGE	1
9	CDR.0550	HOSE Ø 7x10	1
10	P.29.0954.00	CHEMICAL RESTRICTOR VALVE	1
11	VN.T23R3814	REDUCER G 3/8 M -1/4 F	1
12	M.0013MFM2	TEE CONNECTION G 3/8 M -F -M	1
13	D.0042	HOSE 3/8 R1 820 mm G 3/8 F 90° -F 90°	1
14	D.0043	HOSE 3/8 R2 970 mm G 3/8 F 90° -F 90°	1
15	VN.T23R1238	REDUCER G 1/2 M -3/8 F	1
16	VN.N21238	NIPLEX G 1/2 M -3/8 M	1

PUMP FOR GIGANTE (KTV 3018) 275/18



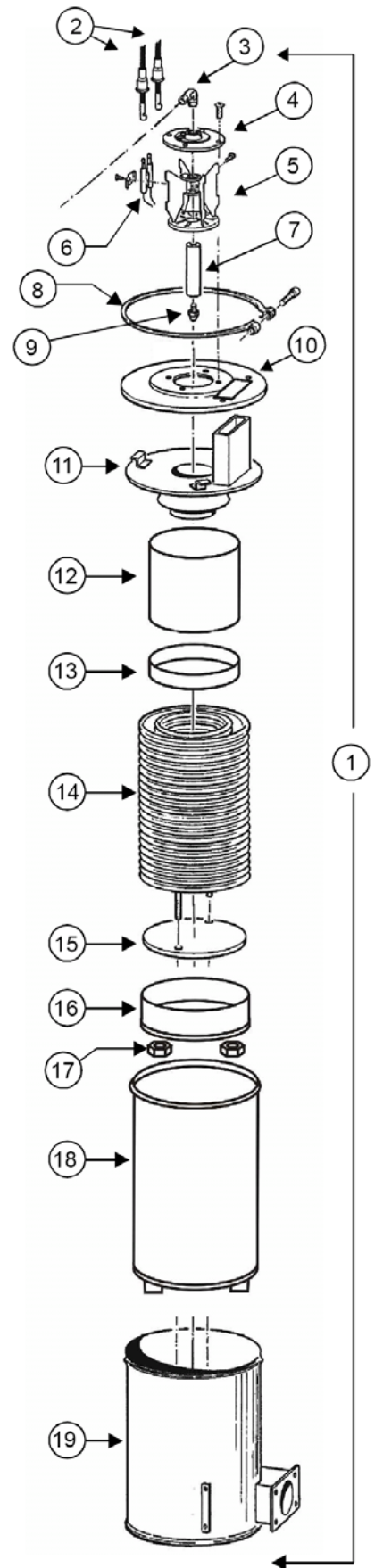
Kit No.	Part No.	Description	Q.TY
98	B069842973	OIL SEAL & SIGHT GLASS KIT	1
123	B069867973	VALVE KIT	1
89	B069839973	SEAL KIT MINOR	1
86	B069836973	SEAL KIT MAJOR	1
37	B069814973	OIL SEAL KIT	1
10	B0600009182	CERAMIC PISTON (20MM)	1
20	B853515502	SIGHT GLASS 3/4	1

PUMP ACCESSORIES

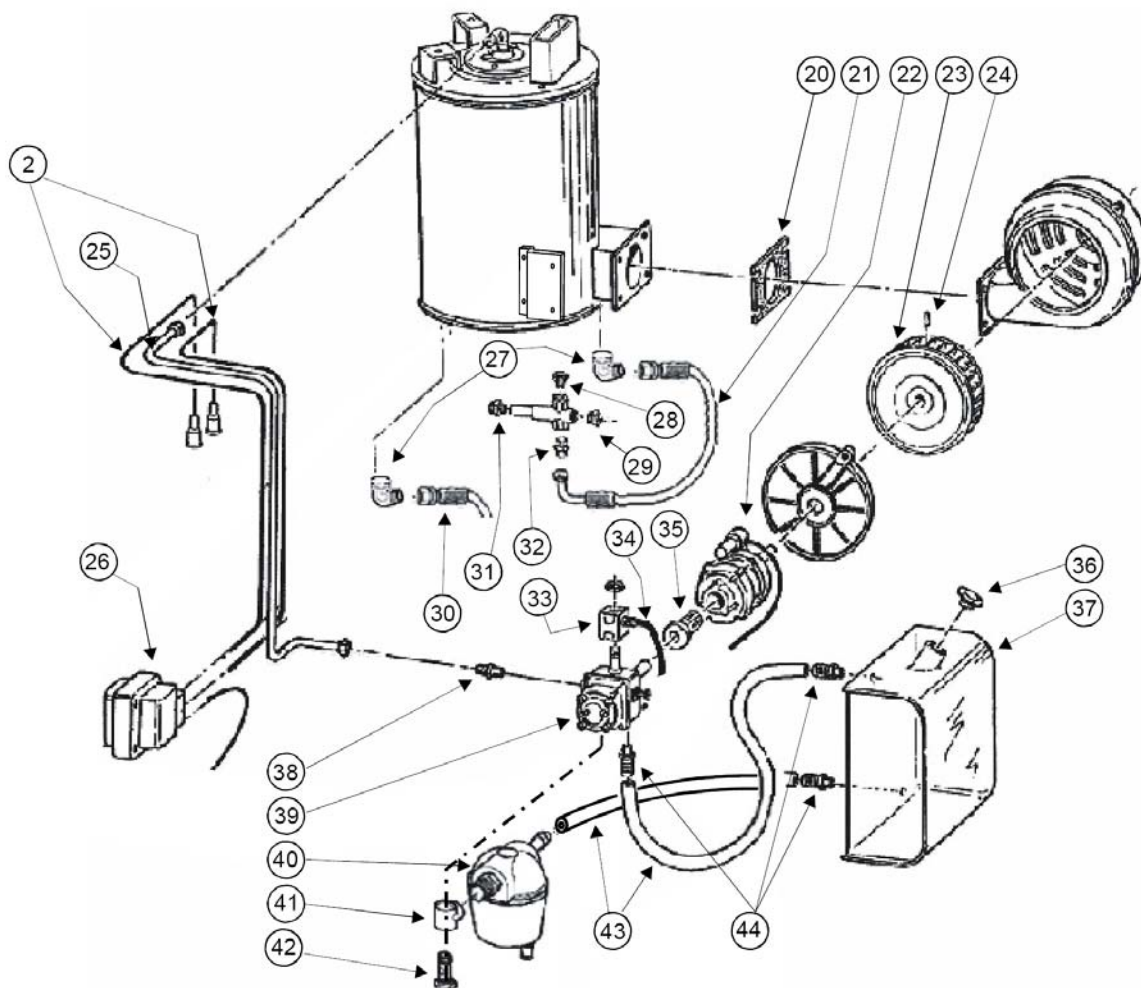
CODE	DESCRIPTION	Q.TY
CDR.0375	UNLOADER VALVE	1
MTM0003303	SAFETY VALVE	1
CDR.0729	COMPLETE INLET WATER FILTER	1
CDR.0736	BLUE CARTRIDGE 50 MESH	1
S.LI0110SA	ACCUMULATOR	1

BURNER

Pos	CODE	DESCRIPTION	Q.TY
7	TX.CT00170	NOZZLE HOLDER	1
8	TX.CT00050	STREEP SHEET	1
9	DA.030H6930	OIL NOZZLE 1.75 60°	1
10	TX.CT00040	BURNER COVER	1
11	TX.CT00061	COMPLETE CHIMNEY COVER	1
12	TX.CT00070	SUPERIOR LITTLE CHAMBER	1
13	TX.CT00080	INFERIOR LITTLE CHAMBER	1
14	TX.CT00097	COIL (GIGANTE 275/18)	1
15	TX.0008	INSULATING RIGID DISK	1
16	TX.CT00001	STAINLESS STEEL BOTTOM WITH RING	1
17	TX.CT00010	ZINCATE NUT	4
18	TX.CT00021	INSIDE COVERING	1
19	TX.CT00031	OUTSIDE COVERING	1
20	TX.CT00460	CORKSCREW SEAL	1
21	D.0041	HOSE 3/8 R2 460 mm	1
22	CDR.0532	ELECTRIC MOTOR BURNER	1
23	TX.0007	BURNER FAN	1
24	TX.CT00410	SET SCREW M6	1
25	TX.CT00211	COPPER HOSE	1
26	CDR.1246	TRANSFORMER (FROM 2008)	1
27	M.0012FM02	ELBOW 3/8 M -3/8 F	1
28	VN.T1438	SCREW PLUG G 3/8 M	2
29	CDR.7302	REDUCTION	1
30	D.0040	HOSE 3/8 R2 380 mm	1
31	CDR.7017	NIPPLE M22x1.5 M -3/8 M	1
32	VN.N138	NIPPLE G 3/8M -3/8M	1
33	CDR.0435	ELECTRIC COIL 24V 50/60 HZ	1

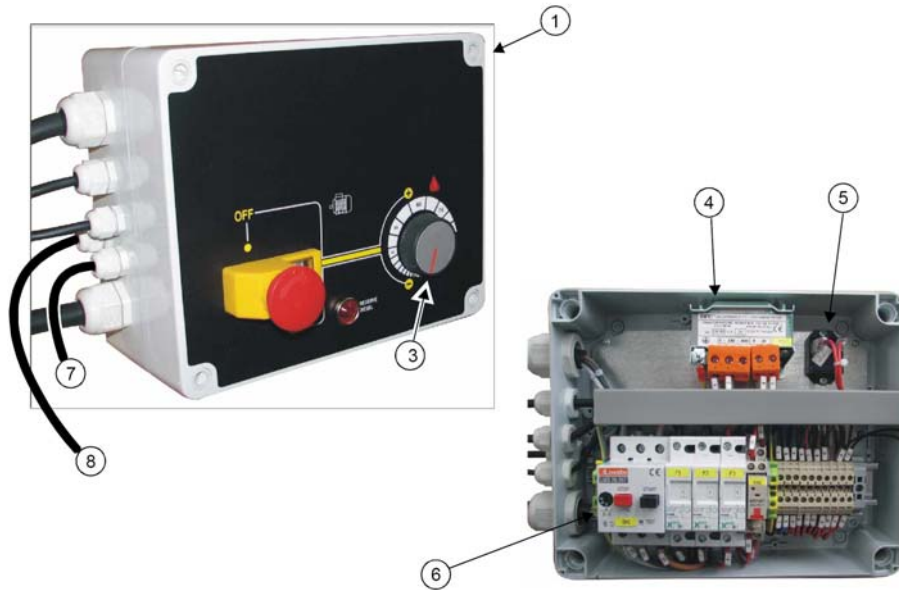


BURNER

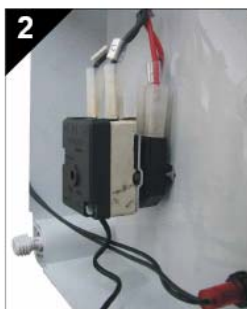


Pos	CODE	DESCRIPTION	Q.TY
34	CDR.0433	CABLE FOR SOLENOID VALVE	1
35	TX.CT00340	FUEL PUMP COUPLNG	1
36	CDR.0567	FUELTANK CAP	1
37	ZX.1123	FUELTANK	1
38	TX.CT00140	COPPER CONNECTION 1/8 RAME	1
39	CDR.0587	FUEL PUMP	1
40	CDR.0430	FUEL FILTER	1
41	PS.2412002	COUPLING FOR PIERCED SCREW	1
42	PS.2407003	PIERCED SCREW FORAIR 1/4M	1
43	CDR.0551	FUEL HOSE D. 7x12	1
44	CDR.7003	BRASS HOSE-BARB D.9x1/7 M	3

THREE PHASE ELECTRIC PANEL



Pos	CODE	DESCRIPTION	Q.TY
1	ZX.0061	COMPLETE ELECTRICAL PANEL	1
2	PG.0001	THERMOSTAT	1
3	PG.20379004200	THERMOSTAT KNOB	1
4	ELE.0001	TRANSFORMER	1
5	GM.RTD24	TIMER	1
6	CDR.0752	THERMAL OVERLOAD SWITCH	1
7	CDR.0096	LEVEL SENSOR FUEL TANK	1
8	P.29.0080.00	PRESSURE SWITCH	1



ACCESSORIES

CODE	DESCRIPTION	Q.TY
C4344.12	AL35 GUN	1
CD10001	COUPLING	1
C3905.15	900MM SINGLE LANCE WITH MELTED HANDLE & PROTECTOR	1
C1500.05	QUICK COUPLING REDUCER	
AHW06FB6FB6X10	3/8" HOSE WITH 3/8F SWIVEL END	1
C3003.04	3/8 M22 QUICK COUPLINGS (TWO REQUIRED)	1
C965040Q	LOW PRESSURE DETERGENT NOZZLE (BLACK)	1
C9000459	HIGH PRESSURE 0° 045 NOZZLE (RED)	1
C9150459	HIGH PRESSURE 15° 045 NOZZLE (YELLOW)	1
C9250459	HIGH PRESSURE 25° 045 NOZZLE (GREEN)	1
C9400459	HIGH PRESSURE 40° 045 NOZZLE (WHITE)	1

Reliable Products ...
Reliable People



Australian Pump Industries Pty Ltd
 7 Gladstone Road, Castle Hill NSW 2154
 Ph: (02) 8865 3500 Fax: (02) 9894 4240
www.aussiepumps.com.au info@aussiepumps.com.au

