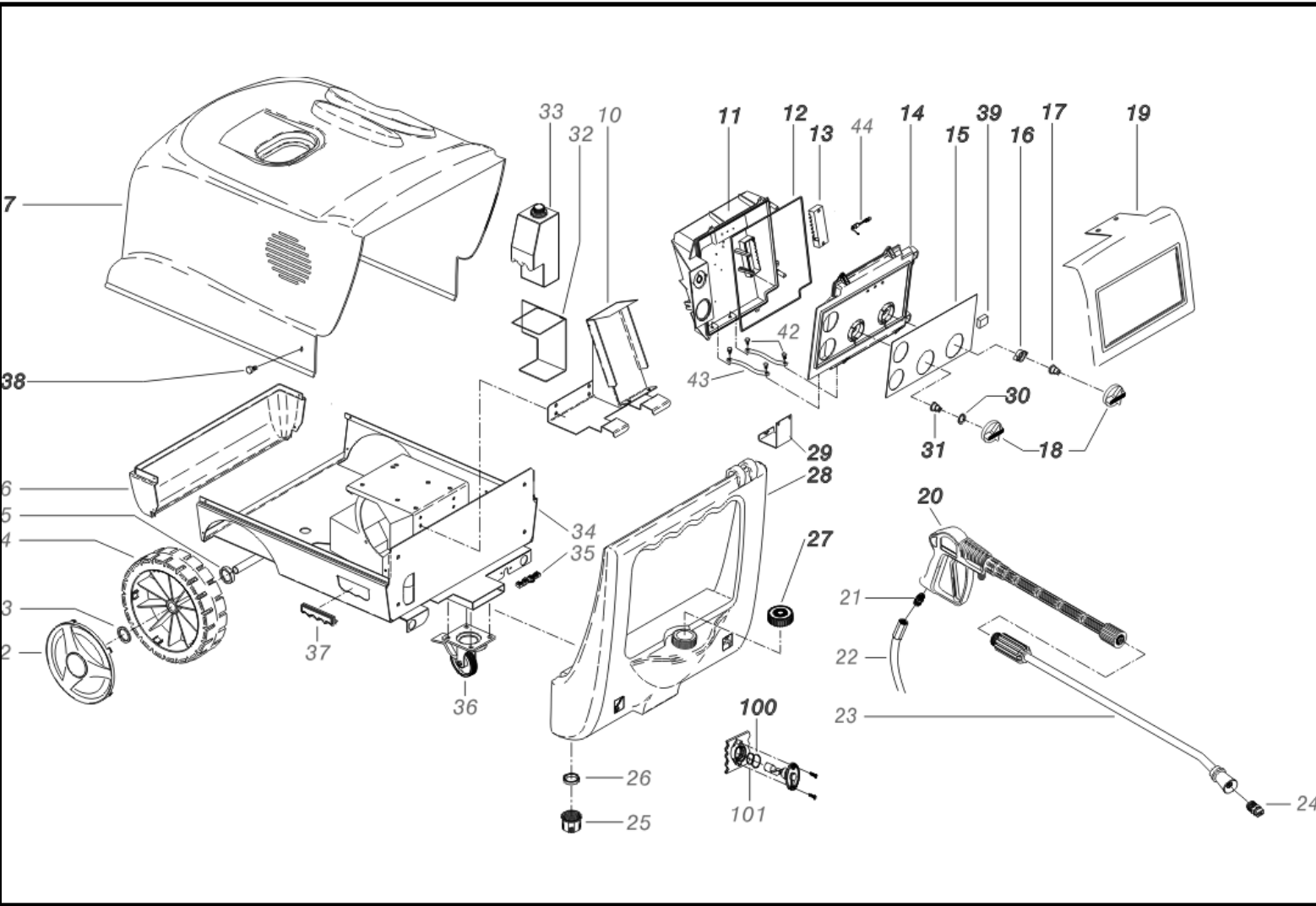


Spare Parts List

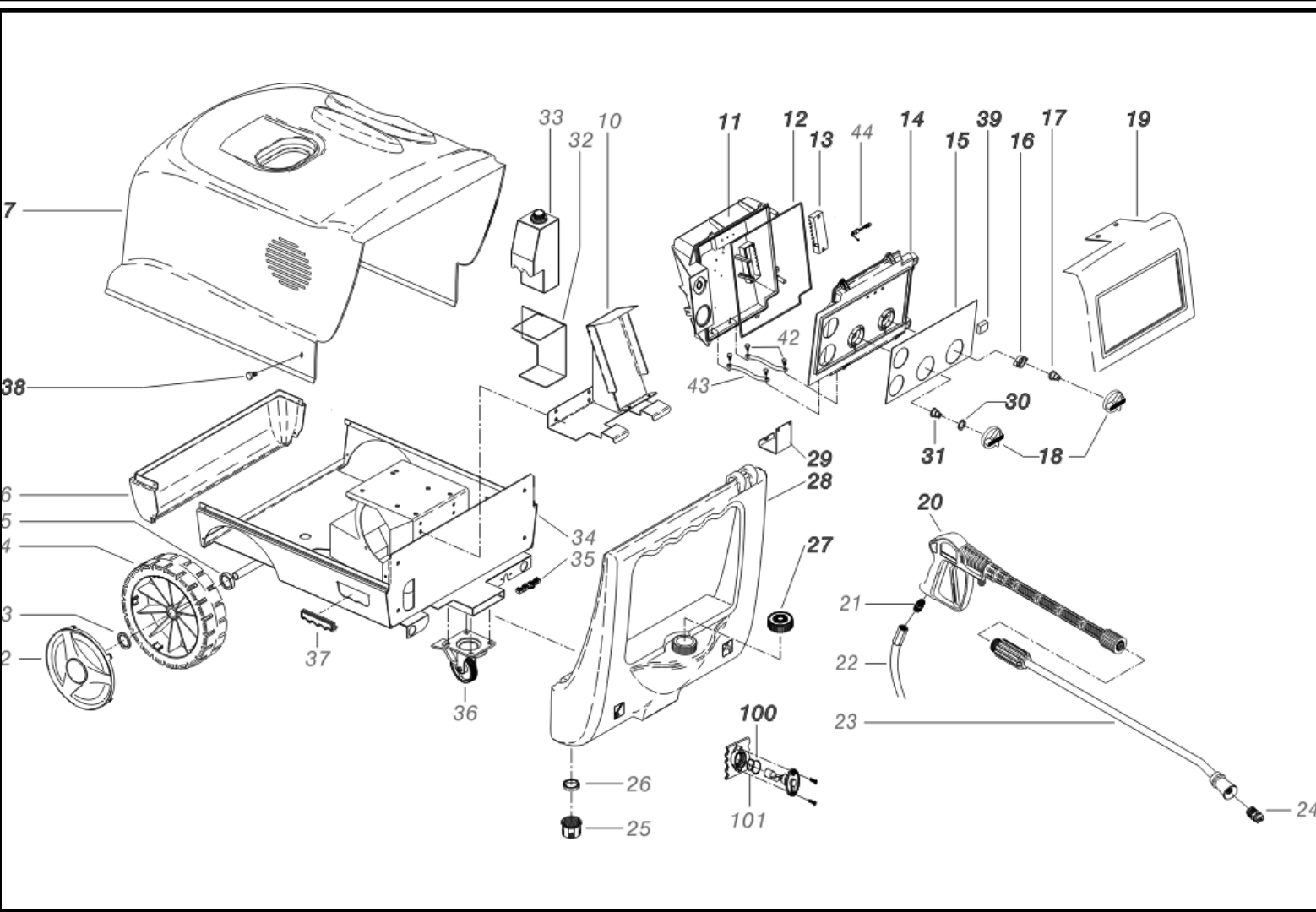
AUSTRALIAN PUMP IND P/L

Ref: IDAC87964

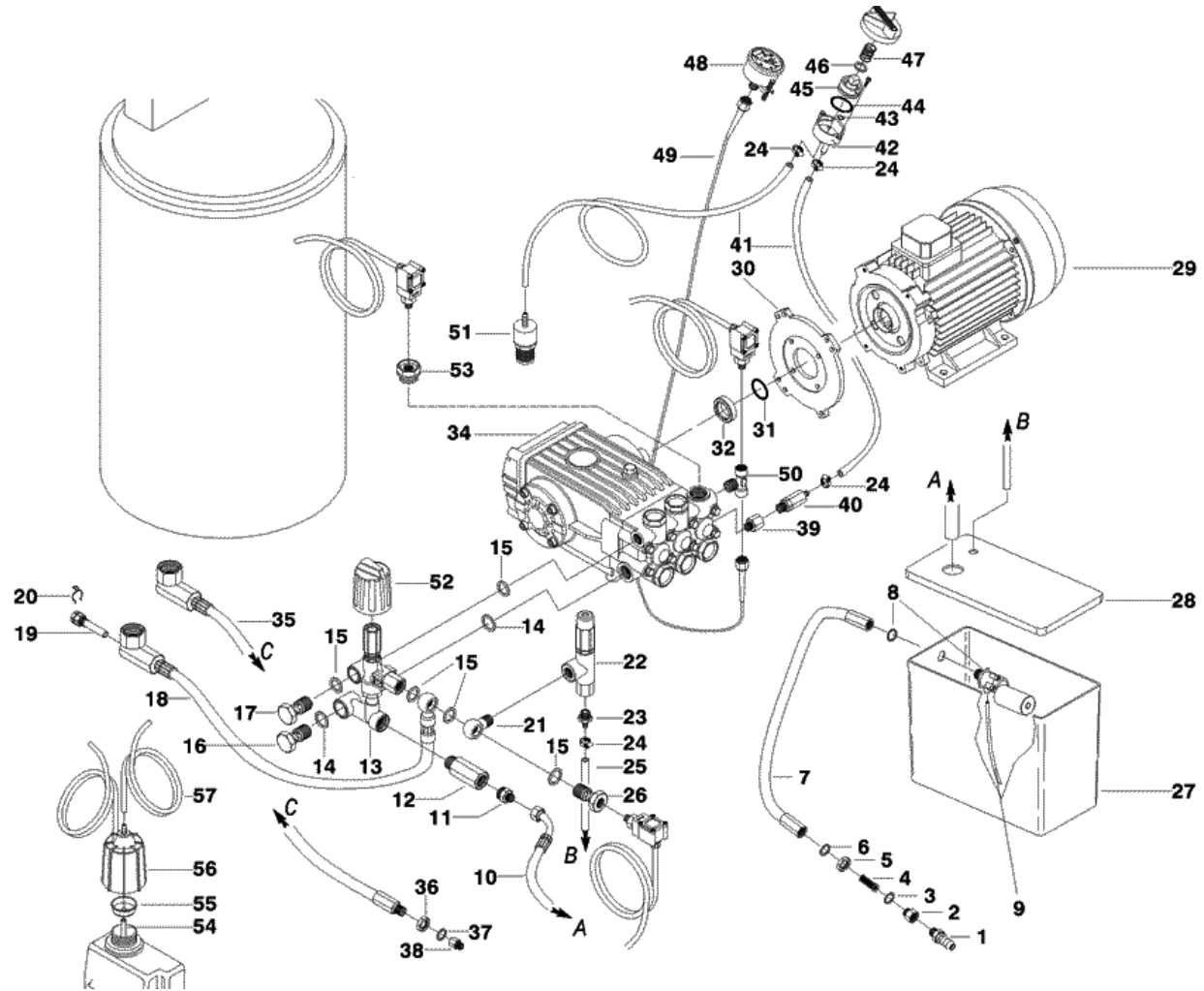
Model: IDROP S.INDY/2 DS 2015 T 415/50 3-04AUS



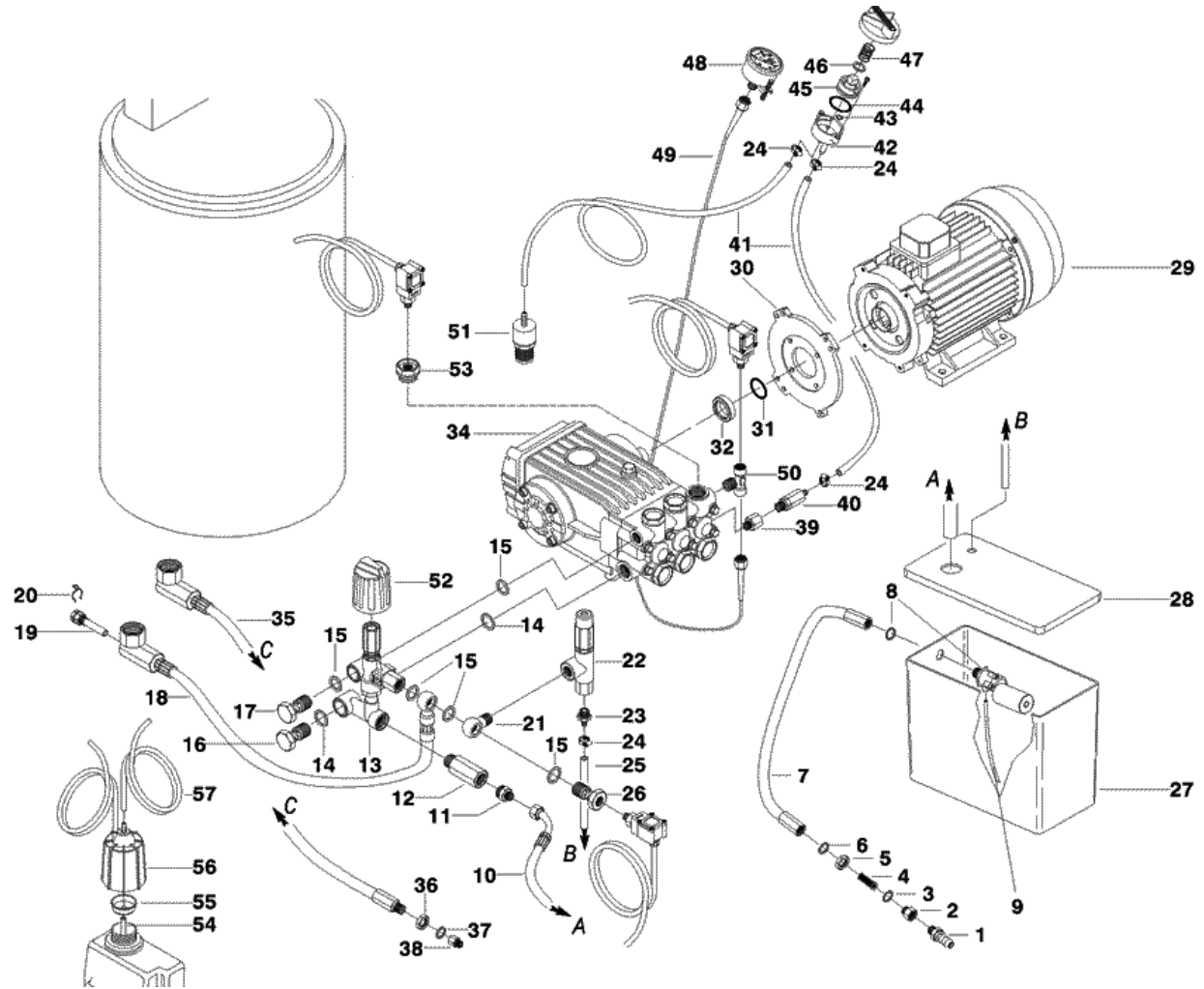
Ref.	K	Part N.	Customer Part N.	Description	Qty	Validity:		Price
						From	To	
0001		LAFN40161		CHASSIS S.INDY/2 CLW-JP 2V.	1,00	12/2008		--
0001		LAFN88667		CHASSIS S.INDY/2 CLW-JP	1,00	07/2005	12/2008	--
0002		MPVR28995		GREY HUB CAP D. 110	2,00	07/2005		--
0002		MPVR87996		HUB CAP D. 250 RT/SPI.2 BL.	2,00		06/2005	--
0003		VTRS09813		WASHER D.25	2,00	07/2005		--
0003		VTRS28558		WASHER D.20	2,00		06/2005	--
0004		RTRT30566		WHEEL D.250-D.25X 88 P. NYL	2,00	07/2005	02/2008	--
0004		RTRT40002		WHEEL D.260 3.00-4 D.25 S.PI.NY	2,00	02/2008		--
0004		RTRT60891		WHEEL D.250X50 D.20 SPI 2	2,00		06/2005	--
0006		MPVR40085		FUEL TANK S.INDY/2 C/BC. PEHD	1,00	04/2009		--
0006		MPVR88774		FUEL TANK S.INDY/2 C/F.G1/2 PEHD	1,00		03/2009	--
0006		MPVR49199		PANEL S.INDY/2 PS	1,00			--
0007		MPVR87995		BLUE COVER S.INDY/2	1,00		12/2005	--
0007		MPVR88960		BLUE COVER S.INDY/2-CLW PS	1,00	12/2005		--
0010		LAFN40167		SUPPORT S.INDY/2 CLW. 2V.	1,00	12/2008		--
0010		LAFN49264		SUPPORT S.INDY/2	1,00		12/2005	--
0010		LAFN88656		SUPPORT S.INDY/2 CLW.	1,00	12/2005	12/2008	--
0011		MPVR33248		CONTROL BOX MISTRAL PP	1,00		07/2005	--
0011		MPVR89016		CONTROL BOX S.INDY/2 PP	1,00	07/2005		--
0012		GUGO11309		JOINT MOUSSE D. 3	1,20			--
0013		MPVR33250		CABLE CLAMP COVMISTRAL	1,00			--
0014		MPVR33249		BOX COVER MISTRAL	1,00		07/2005	--
0014		MPVR89017		BOX COVER S.INDY/2 PP	1,00	07/2005		--
0015		ETET34267		LABEL MST B.P. PVC R	1,00		12/2005	--
0015		ETET89748		LABEL S.INDY MA-LV. PLC	1,00	12/2005		--
0016		MPVR41903		THICKNESS TERM.IM.PA66	1,00			--
0017		MPVR23484		TAIL PIECE THERM.KSM TUV	1,00			--
0018		MPVR40068		BLACK KNOB KSM C/F.FIX BK.	3,00	03/2008		--
0018		MPVR45228		BLACK KNOB KSM	3,00		03/2008	--
0019		LAFN88651		FRAME S.INDY/2 TRM	1,00	12/2005		--
0021		RCDS00610		NIPPLE 3/8 - 3/8 SV	1,00	12/2005		--
0023		LCPR12976		EXTENSION P 70	1,00	11/2010		--
0023		LCPR12976		EXTENSION P 70	1,00	04/2006	10/2010	--
0024		UGLN03327		NOZZLE 1/4 25045	1,00		04/2006	--
0024		UGLN49987		NOZZLE LECH 1/4 15045	1,00	11/2010		--
0024		UGLN49992		NOZZLE LECH 1/4 25045	1,00	04/2006	10/2010	--
0025		PVVR11806		DISCHARGE CAP FLL	1,00			--
0026		GUGO11489		GASKET D.22X1,5	1,00			--
0027		MPVR40573		TANK CAP MHDS-SK	1,00			--



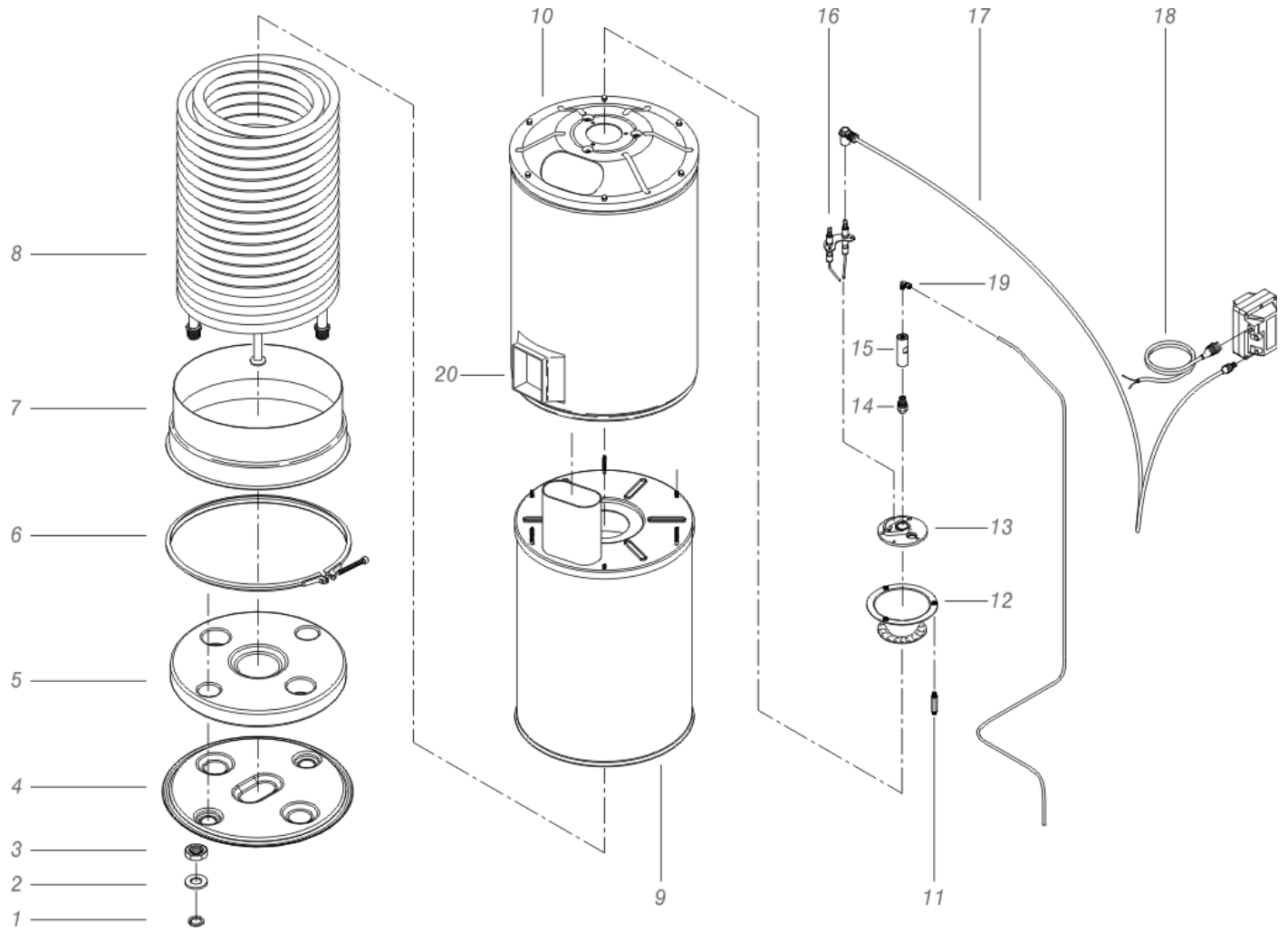
Ref.	K	Part N.	Customer Part N.	Description	Qty	Validity:		Price
						From	To	
0028		TBAP40009		H.P. HOSE R2 MT 10 5/16" C/2 IRV IX	1,00	03/2007		--
0028		TBAP53052		H.P. HOSE 5/16 400B. 8MT 3/8 F-F	1,00		03/2007	--
0029		LAFN34423		SUPPORT BRACKETMST.S-P	1,00			--
0029		RCDS00610		NIPPLE 3/8 - 3/8 SV	1,00		03/2007	--
0029		RCIN09348		MALE COUPLING 3/8MA L=32	1,00	03/2007		--
0030		GUGO23079		V-SEAL RING VA0014 13.5- 15.5	1,00			--
0030		IPPR52938		GRIP AL5 +PR. M22	1,00		03/2007	--
0030		IPPR89429		GRIP G 4500 - P.330 -M22SW.M V	1,00	03/2007		--
0031		MPVR10083		TAIL PIECE OKA L=22	1,00		12/2005	--
0031		MPVR23482		TAIL PIECE TEC. TUV	1,00	12/2005		--
0032		LAFN24961		TANK HOLDER ANTIC.GLX	1,00			--
0033		MPVR24959		TANK GLX	1,00			--
0034		LAFN49260		CHASSIS S.INDY/2	1,00		06/2005	--
0035		MEVR33994		CABLE FASTNER 4228 B D. 6- 18	1,00			--
0036		RTRT47975		TURNING WHEEL D.100 P MZ.PLS.	1,00			--
0037		MPVR10058		HANDLE FLL	2,00			--
0042		MPVR89160		PROD D. 7-15 L=15 BK.	4,00	07/2005		--
0043		MPVR89015		PLATE S.INDY/2	2,00	07/2005		--
0044		MEVR27264		FUSE-HOLDER 031-1081	3,00			--
0100		GUGO01197		O-RING D. 22.22 X 2.62 NBR 70SH	1,00	04/2009		--
0101		GUGO01056		O-RING D. 18.72 X 2.62 NBR 70SH	1,00	04/2009		--



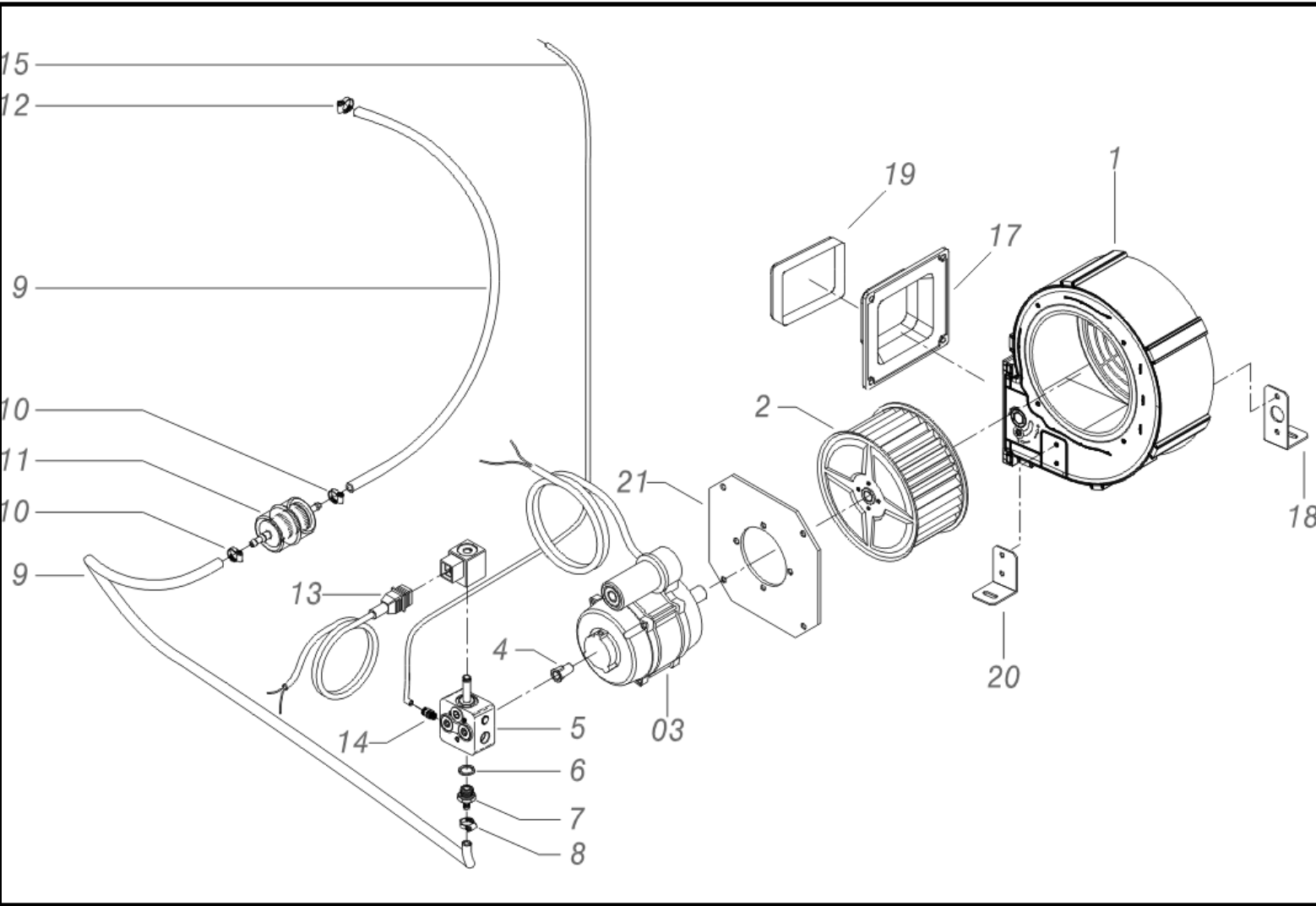
Ref. K	Part N.	Customer Part N.	Description	Qty	Validity: From To	Price
0001	RCVR29600		SOCKET PTC 3/4 F	1,00		--
0002	RCVR37806		REDUCTION PTC 3/4-1/2 M/F	1,00		--
0003	GUGO37736		GASKET D. 10- 19 X 5 70SH	1,00		--
0004	FTAC30214		FILTER D.15X67	1,00		--
0005	RCDS49875		RING NUT 1/2"X 6 CH.27 OT.	1,00		--
0006	VTRS00549		WASHER D.21,5X27X1,5 (1/2) RM	1,00		--
0007	TBBP49338		L.P. HOSE L= 560 3/4F 90°- 1/2M	1,00		--
0008	GUGO89255		GASKET D. 17.5-24 X 2 EPDM	1,00	06/2005	--
0008	RCGR60703		FLOATER MTM 3/4 PP. S/F.	1,00		--
0009	TBBP07631		L.P. HOSE D.10-14	0,10		--
0010	TBBP46848		L.P. HOSE L=400 3/4F 90° -15X26	1,00		09/2005
0010	TBBP89300		L.P. HOSE L=400 3/4F 90° -3/8 45°	1,00	09/2005	--
0011	RCDS87610		NIPPLE 3/4 - 1/2 CB D.13.0	1,00		--
0013	VVAZ46720		VALVE MV 625 W151 AC S/IN. REG.	1,00		--
0014	VTRS12491		WASHER 1/2	2,00		--
0015	VTRS12492		WASHER 3/8	3,00		--
0016	RCDS12486		SCREW G 1/2 L=48.5	1,00		--
0017	RCDS12495		SCREW G 3/8 L=48.5	1,00		--
0018	TBAP49336		HOSE-FITTING 3/ 8 R2 L=800 3/8O-1/2PMG	1,00		--
0019	RCDS00593		SUMP IM 0-120 L=50	1,00		--
0020	MLML02623		SPRING IMT	1,00		--
0021	RCDS15150		CONNECTOR O. 3/8 - G3/8M L=28.5	1,00		--
0022	VVSC21627		VALVE VS 220 G3/8	1,00		06/2010
0022	VVSC40005		VALVE MR 401 G3/8	1,00	06/2010	--
0023	RCDS03514		HOSE FITTING 3/8 M D. 5- 7	1,00		--
0024	FSVR00427		CLAMP D. 12 CLIC 66-110	2,00		--
0025	TBBP04917		L.P. HOSE D. 6- 9	0,28		--
0026	RCDS88103		SCREW G 3/8 - 1/8F L=53	1,00		--
0027	MPVR61359		WATER TANK BK C/F.G3/4	1,00		--
0028	MPVR48151		TANK COVER BK FOR.	1,00		--
0029	MOTR06345		3PH MOTOR AC HP 7.5 2/460-5/60 C.ED	1,00		--
0030	MFVR21735		COUNTERFLANGE MEC 112 2.V	1,00		--
0031	GUGO42285		O-RING D. 35 X 2.5 VIT.70SH	1,00		--
0032	RCDS34756		BUSHING IP W15 OT	1,00		--
0034	PPAP42031		PUMP WS151 DX LT 15 -150B. USA	1,00		--
0035	TBAP49337		HOSE-FITTING 3/ 8 R2 L=525 M26+3/8F-P.	1,00		--
0036	RCDS21120		RING NUT M 26 X 1,5	1,00		--
0037	VTRS00548		WASHER D.17,5X23X1,5 (3/8)RM	1,00		--
0039	RCVR02606		REDUCTION 1/2-1/4 M/F	1,00		--



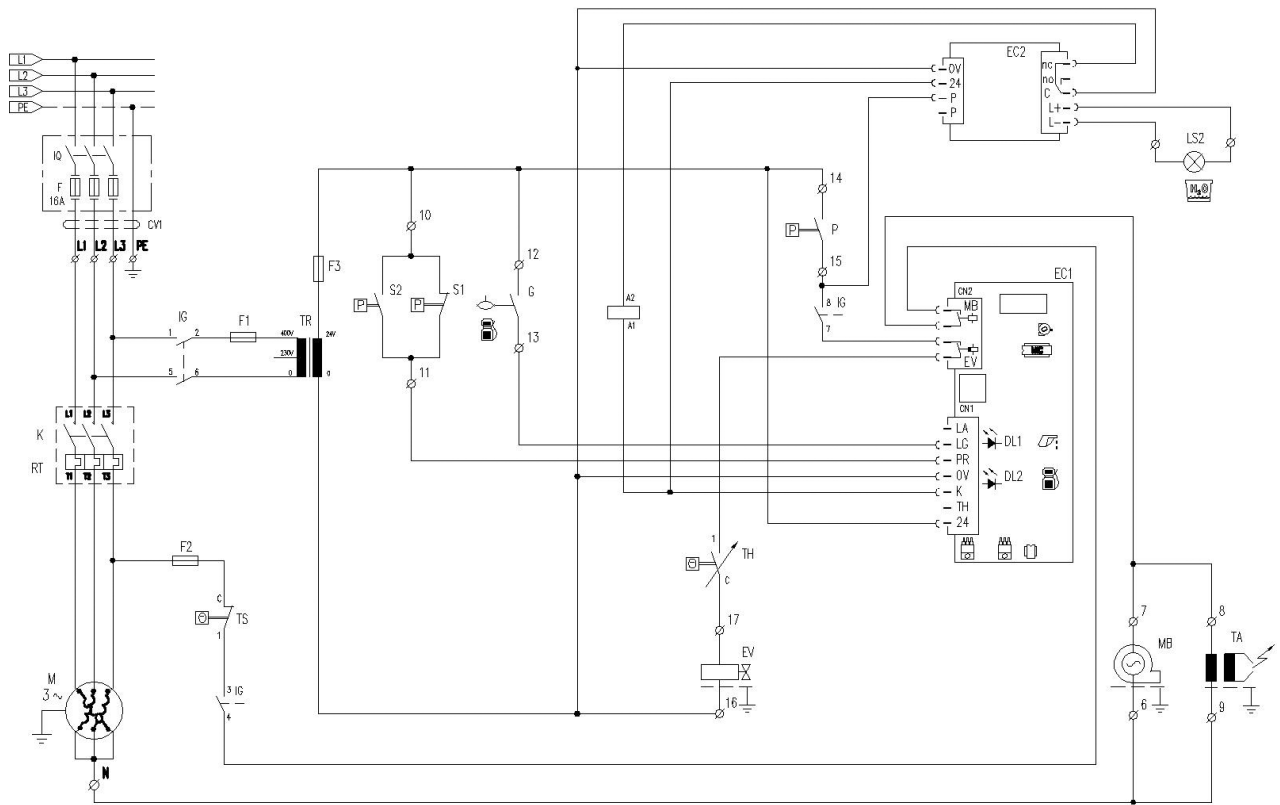
Ref. K	Part N.	Customer Part N.	Description	Qty	Validity:		Price
					From	To	
0040	VVSF46712		VALVE 1/4M -PG. D.3X7.5	1,00			--
0041	TBBP00051		DETERGENT HOSE D. 6-12	1,30			--
0041	TBBP00051		DETERGENT HOSE D. 6-12	0,80			--
0042	RCGR08069		TAP BODY DET. PRT	1,00			--
0043	GUGO12183		O-RING D. 23.4 X 3.53 VIT 70SH	1,00			--
0044	GUGO08071		O-RING D. 4.48 X 1.78 NBR 70SH	1,00			--
0045	RCGR08070		ADJUSTER PRT	1,00			--
0046	VTRS00542		WASHER D.14X20	1,00			--
0047	MLML08068		SPRING D.1,5 L.23	1,00			--
0048	MNMN49621		PRESSURE GAUGE 0-250 D.50 INOX	1,00			--
0049	TBAP06875		POLYAMIDE HOSE L=840 1/4-1/4 F-F	1,00		03/2007	--
0049	TBAP40007		POLYAMIDE HOSE L=840 1/4 F-F P.MAN.	1,00	03/2007		--
0050	RCDS40589		CONNECTOR T 3/8M - 1/4 M/F OT.	1,00			--
0051	FTDT04648		FILTER PG. D.6 PLS	1,00			--
0052	MPVR09436		BLACK KNOB ST 260	1,00			--
0053	RCDS09059		CAP M24X2X16 + 1/4F OTT	1,00	12/2005		--
0054	TBBP11756		L.P. HOSE D. 4- 6 RILSAN NTR	0,22			--
0055	MPVR18582		CAP D.22	2,00	04/2011		--
0056	MEPD25575		DESCALING PUMP NME-1 24V CPL.	1,00			--
0057	TBBP00058		L.P. HOSE D. 4- 6	1,00			--



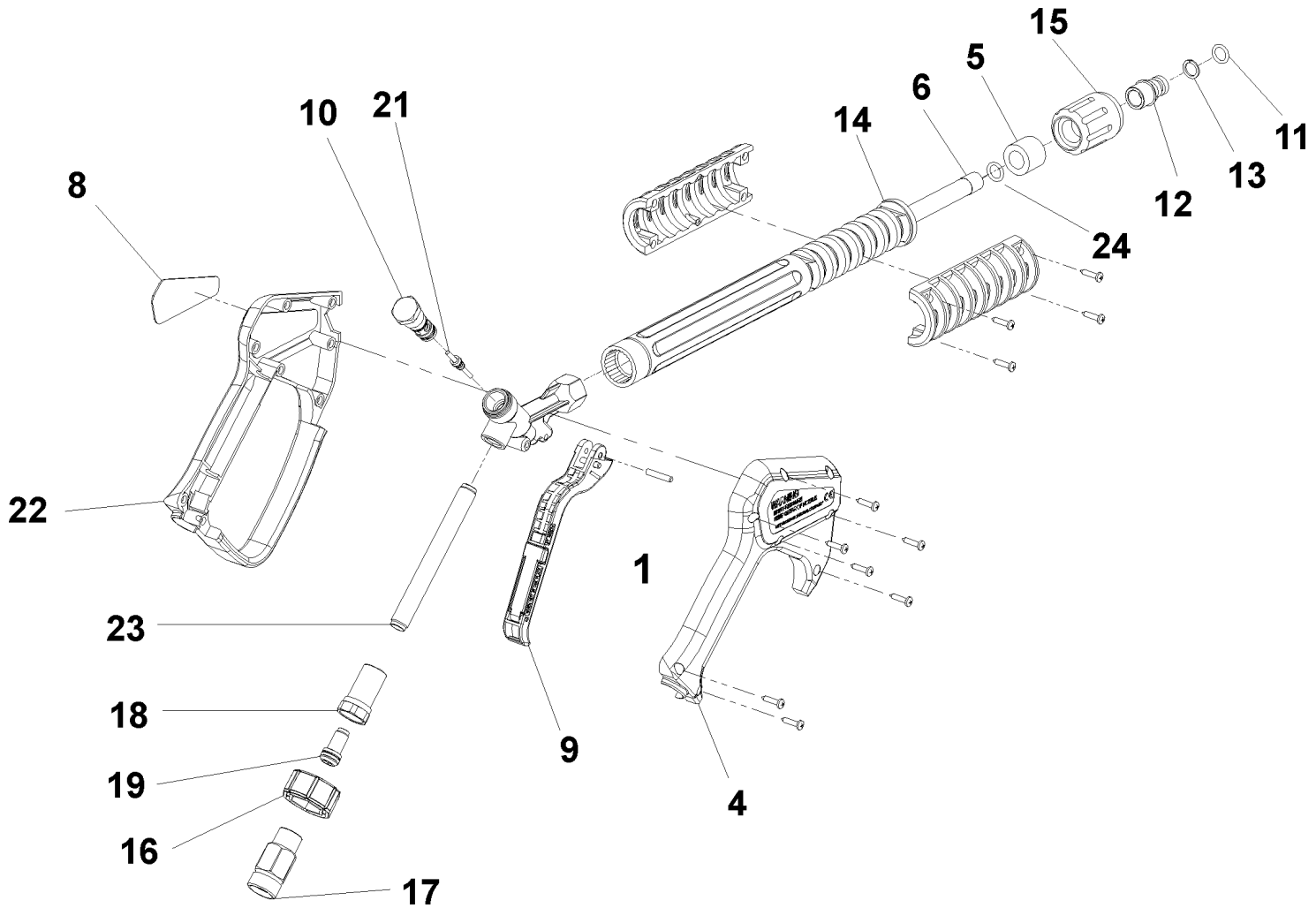
Ref. K	Part N.	Customer Part N.	Description	Qty	Validity: From	To	Price
0001	RCDS21120		RING NUT M 26 X 1,5	2,00			--
0002	GUGO21222		O-RING D. 15.54 X 2.62 VIT 80SH	2,00			--
0003	GUVR21021		ANTI-EXTR.RING D. 21 X17 TEF.	2,00			--
0004	LAFN44149		BOILER BOTTOM P176	1,00	11/2007		--
0005	ITTE44175		BOTTOM P176 C.TE	1,00	11/2007		--
0006	LAFN40037		RING D.342 P176 ZN 2V.CPL.	1,00	11/2007		--
0006	LAFN44150		RING D.345 P176 ZN	1,00		06/2007	--
0007	LAFN44151		BAND P176 INX	1,00	11/2007		--
0008	LAFN88010		DOUBLE COIL M26X1.5 P176 30M S.2.6 VR	1,00	11/2007		--
0009	LAFN46225		INT. CYLINDER P176 CP.INX	1,00	11/2007		--
0010	LAFN40034		EXT. CYLINDER P176-FR/2 CP.	1,00	11/2007		--
0010	LAFN46223		EXT. CYLINDER P176-FBX CP.	1,00		10/2007	--
0011	LAFN44159		PIN CH.10 X 75.7 M5M/M5M P176	3,00	11/2007		--
0012	LAFN44244		BAFFLE P176 30M INX	1,00			--
0013	MFVR44251		ELECTR.HOLDER P176	1,00			--
0014	UGBR22576		BURNER NOZZLE 1.35 60 S	1,00			--
0015	RCDS07642		NOZZLE HOLDER FUT	1,00			--
0016	MECA12525		ELECTRODE FUT	1,00			--
0017	MECV35336		CABLE A.T. 9,8-23KOHM/M L= 750P	2,00			--
0018	MECB89638		CABLE BT L=1000 SP.	1,00			--
0019	RCVR08954		ELBOW 1/8"-4 B5	1,00			--
0020	MPVR40013		CONVEYOR P176-FBX PA6 BK.	1,00	01/2010		--



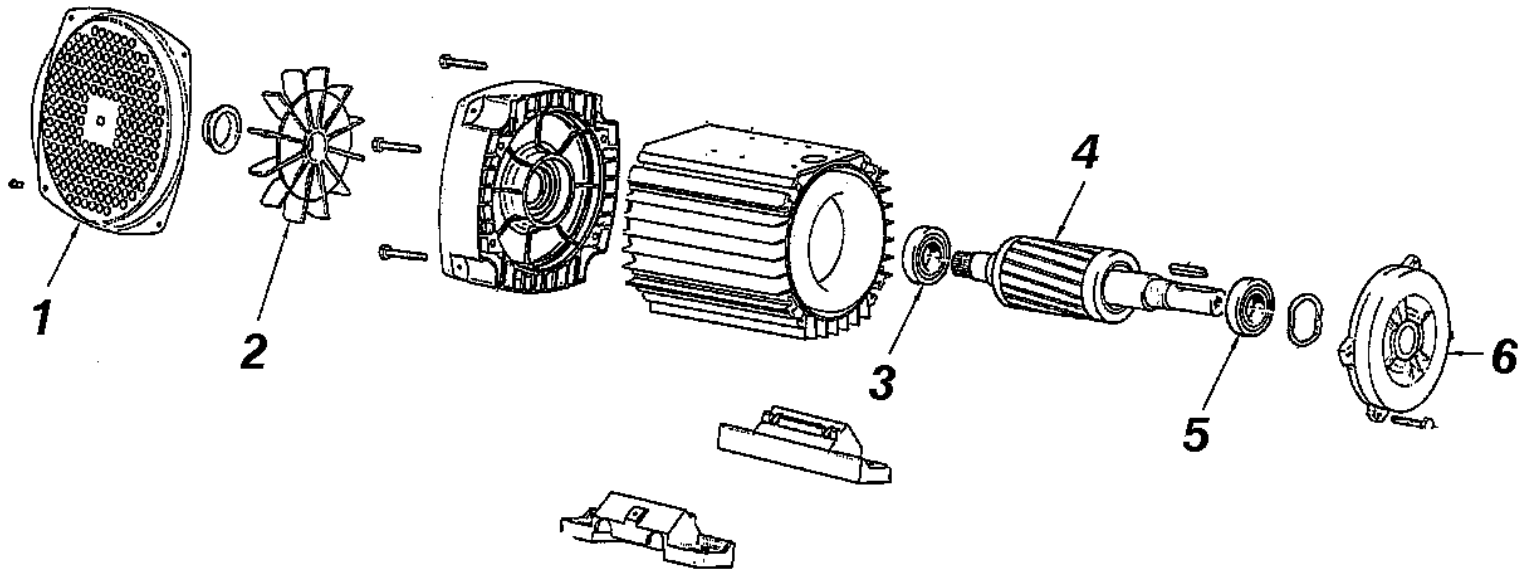
Ref. K	Part N.	Customer Part N.	Description	Qty	Validity: From	To	Price
0001	MPVR40010		SCROLL CB4 -2PZ.CP	1,00	12/2008		--
0002	VEVR34275		IMPELLER D.160-80 D.12.7 36P B.SX	1,00	12/2008		--
0003	MOMB40002		BURNER MOTOR 230-50 IP44 110W AO+CNN	1,00	12/2008		--
0004	KTRI36516		KIT P 18- 9	1,00			--
0005	FTCO88927		FUEL FILTER S.AL	1,00			--
0005	PPGS40010		FUEL PUMP DNF BFA 01L3R1	1,00	04/2010		--
0005	PPGS88084		FUEL PUMP DLT ALLUM. A1L1	1,00	12/2008	03/2010	--
0006	VTRS04931		WASHER COPPER D.13X19X1.5	1,00	12/2008		--
0007	RCDS00626		HOSE FITTING 1/4 M D. 5- 7	1,00	12/2008		--
0008	FSVR00427		CLAMP D. 12 CLIC 66-110	2,00			--
0009	TBCO06945		L.P. HOSE D. 6-12 10BAR C.PRESS	0,13			--
0010	FSVR11197		CLAMP D.I. 11 13315	1,00			--
0011	FTCO34840		FUEL FILTER FB 7/A NYL.	1,00		04/2010	--
0011	FTCO40003		FUEL FILTER FB 7/TA 60mc NYL.	1,00	04/2010		--
0012	FSVR00427		CLAMP D. 12 CLIC 66-110	1,00			--
0013	MECB18118		CABLE DLT L=1.600	1,00			--
0014	RCVR14014		BI-CONE CONNEC.DTT 1/8"M B1 D. 2/ 4 NIK	1,00	12/2008		--
0015	TBCO49339		DIESEL HOSE INDY/2 D. 4	1,00			--
0017	MPVR40041		CONVEYOR P176-CB4 PA6 BK.	1,00	12/2008		--
0018	LAFN40164		BRACKET S.INDY/2 DX ZC.	1,00	12/2008		--
0019	GUGO20124		GASKET KSM	1,00	12/2008		--
0020	LAFN40165		BRACKET S.INDY/2 SX ZC.	1,00	12/2008		--
0021	LAFN10272		MOTOR PLATE CB 3	1,00	12/2008		--



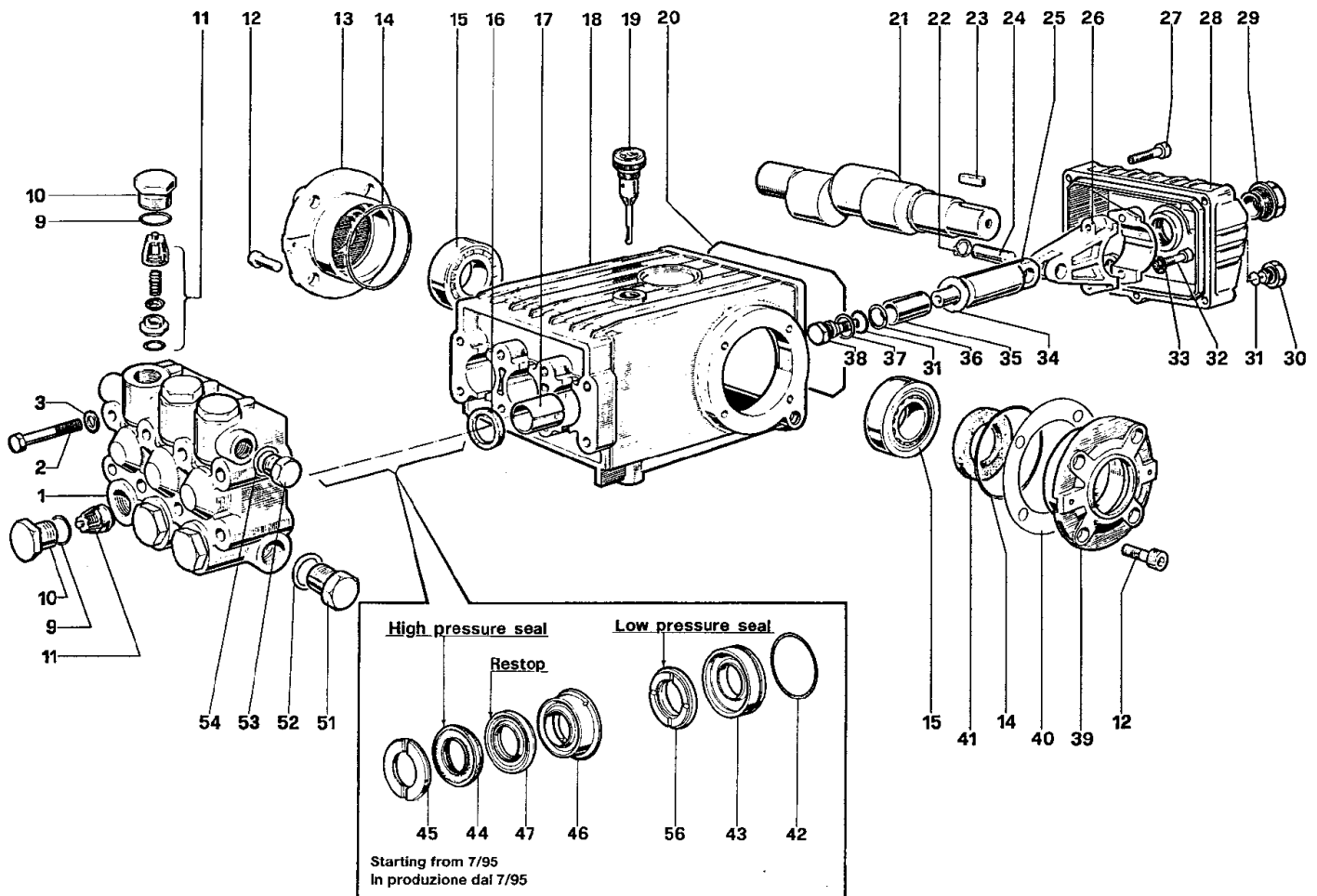
Ref.	K	Part N.	Customer Part N.	Description	Qty	Validity:		Price
						From	To	
G		MECI40006		SENSOR LEVEL S1.PML.XD.FPJ FST.	1,00	04/2009		--
G		MECI49945		SENSOR LEVEL S1.PML.15NO-FST +G.1/2	1,00		03/2009	--
K		METT43990		CONTACTOR SIE 3RT 1017 1AB01 5/60HZ	1,00		12/2005	--
K		METT45025		CONTACTOR SIE 3RT 1024 1AC20 24V	1,00	12/2005		--
P		MEPF39741		PRESSURE SWITCHMTM 1/8M NA/NC 25B. MICRO	1,00			--
EC		MECE40004		PCB P245 T-ST/MP/L.2V.S30+3"	1,00	02/2010		--
EC		MECE48580		PCB P190 T-ST/MP V.PLUS	1,00		12/2005	--
EC		MECE89083		PCB P105 T-ST/MP/LIV. S30+3"	1,00	12/2005	01/2010	--
EV		MEBE43704		COIL DNF 24-50	1,00	04/2010		--
EV		MEBE48504		COIL DLT 24-50 NF84	1,00	12/2005	03/2010	--
EV		MEBE49880		COIL DLT 24-50 NF84-FRP	1,00		12/2005	--
F1		MEVR09010		FUSE 5X20 0,5A	1,00			--
F2		MEVR00237		FUSE 5X20 3,15A	1,00			--
F3		MEVR02824		FUSE 5X20 1A	1,00	12/2005		--
IG		MECI08294		SWITCH O.K.N. 10-16 A	1,00		12/2005	--
IG		MECI40017		COMMUTAT.SWITCH0-1-2 UN.	1,00	01/2011		--
IG		MECI40544		COMMUTAT.SWITCH0-1-2 HD12H022-R000	1,00	12/2005	01/2011	--
LC		MECE34831		FILTER LC F.AH.DA.3100ZF 6.5A	1,00		12/2005	--
RT		METT45026		THERMAL RELAY SIE 3RU1126-4AB0 11-16 A	1,00	12/2005		--
TA		METR34823		TRANSFORMER 240V-50HZ 2X4000V SP4 CM	1,00		12/2005	--
TA		METR88630		TRANSFORMER 23/240V-5/60HZ 2X26KV TR.	1,00	12/2005		--
TH		METK19354		THERMOSTAT 0-150° L=1500	1,00	12/2005	12/2010	--
TH		METK33752		THERMOSTAT 30-150°C TR/711-N+ BS75	1,00		12/2005	--
TH		METK40006		THERMOSTAT 0-150° L=1500 S&R	1,00	12/2010		--
TR		METR46914		TRANSFORMER 35VA 240-415/24 50/60HZ	1,00			--
TS		METK34839		THERMOSTAT 50°C TR/711-N C.1.5	1,00			--
CV1		MECB17414		CABLE H07 RNF 4X2.5 L=6.500	1,00			--
EC2		MECE48676		PCB LV.H2O 24V	1,00	12/2005		--
LS2		MELF61944		LAMP 24V ORN.	1,00	12/2005		--
S1,2		MEPF39902		PRESSURE SWITCHMTM 1/4M NA/NC 25B. MICRO	2,00			--



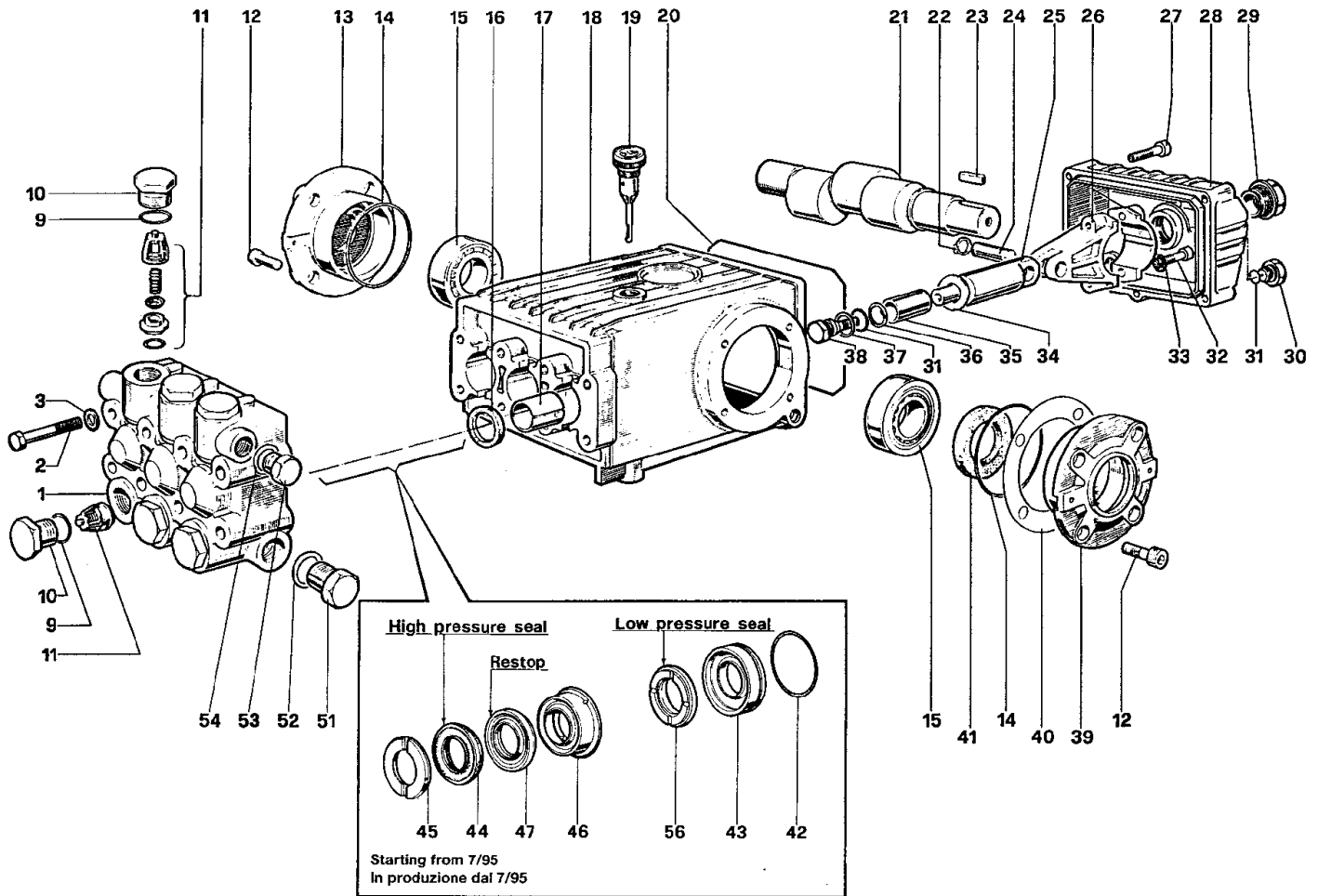
Ref.	K	Part N.	Customer Part N.	Description	Qty	Validity:		Price
						From	To	
0001		VTVR46568		PLUG G 4500	1,00			--
0004		MPVR40157		COVER G 4500 2V.	1,00	05/2008		--
0004		MPVR46563		COVER G 4500	1,00		04/2008	--
0005		MPVR46572		SPACER P 330 ST	1,00			--
0006		LCPR40007		TUBE 1/4 L=352 ZC. 2V.	1,00	05/2008		--
0006		LCPR46571		TUBE 1/4 L=352 ZC.	1,00		04/2008	--
0008		MPVR46569		PLATE G 4500 RD.	1,00			--
0009		MPVR40057		TRIGGER G 4500 -SW	1,00			--
0010		PVVR40030		SMALL PISTON TM ST-2300	1,00			--
0011		GUGO10384		O-RING D. 10 X 2.2 VIT 80SH	1,00			--
0012		RCVR13030		GUDGEON G 1/4 F L=31.5	1,00			--
0013		GUVR10526		ANTI-EXTR.RING D.13.9X10.2 C.BZ	1,00			--
0014		MPVR46570		PROTECTION P 330 ST	1,00			--
0015		PVVR13445		CONNECTION M 22X1,5 L=45	1,00			--
0016		MPVR40058		RING NUT G4500 SW.	1,00			--
0017		RCIN40001		JOINT SWIV 4500 3/8"F	1,00		04/2008	--
0017		RCIN40005		JOINT SWIV 4500 3/8"F 2V.	1,00	05/2008		--
0018		RCIN31641		CONNECTOR SWIV 1500 F	1,00			--
0019		KTRI31645		KIT P 26- 14	1,00			--
0021		PVVR40031		ROD ST-2300	1,00			--
0022		MPVR40156		SHELL G 4500 2V.	1,00	05/2008		--
0022		MPVR46562		SHELL G 4500	1,00		04/2008	--
0023		PVVR40023		TUBE G 1/4" M/M P/SW.	1,00			--
0024		GUGO27021		O-RING D. 11 X 2.5 EPD 70SH	1,00	05/2008		--



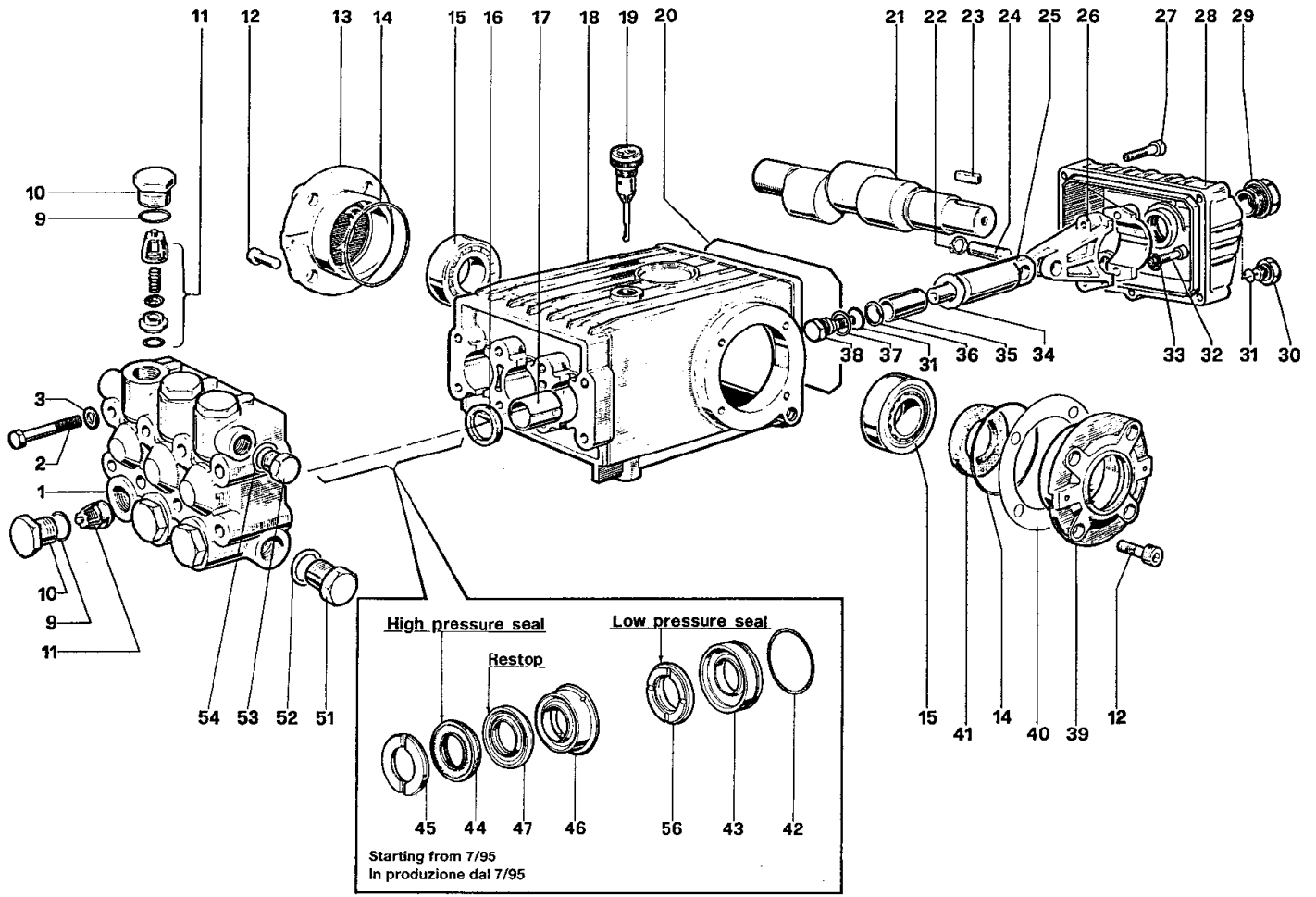
Ref. K	Part N.	Customer Part N.	Description	Qty	Validity:		Price
					From	To	
0001	LAFN40007		PROTECTION ED H.112 EST. LM.BK	1,00			--
0002	VEVR48370		MOTOR FAN H 112 EST. ELD	1,00			--
0003	CUVR40002		BALL BEARING 6306 2Z	1,00			--
0004	MORT40001		EL.MOT. ROTOR 7.5HP T 4P H112 AC EST ED	1,00			--
0005	CUVR21250		BALL BEARING 6008 2Z	1,00			--
0006	MFVR48371		FLANGE MOTOR MEC 112 T. EST. ELD	1,00			--



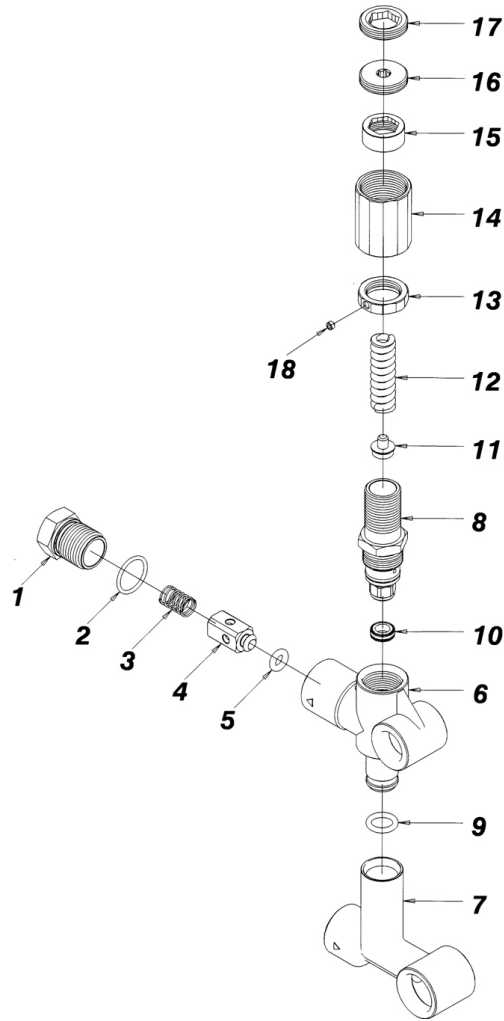
Ref.	K	Part N.	Customer Part N.	Description	Qty	Validity:		Price
						From	To	
0001		MFVR01097		HEAD W 151	1,00			--
0002		VTVT01111		SCREW TE M 8X70 UNI 5737	8,00			--
0003		VTRS01072		WASHER D. 8 TC	8,00			--
0009	S	GUGO01033		O-RING D. 20.24 X 2.62 NBR 90SH	6,00			--
0010	S	RCDS01087		CAP M24X2X16 OTT	6,00			--
0011	S	VVAM01104		VALVE UNIT W 70-151	6,00			--
0012		VTVT01118		SCREW TCEI M 8X16 ZC. UNI 5931	8,00			--
0013		MFVR03576		CRANKASE COVER W151	1,00			--
0014		GUGO01041		O-RING D. 67.95 X 2.62 NBR 70SH	2,00			--
0015		CUVR09205		ROLLER BEARING 32206 A	2,00			--
0016	S	GUGO01000		OIL SEAL 22X 32X 5.5 NBR70	3,00			--
0017		PVVR01011		BUSHING W 151	3,00			--
0018		MFVR01013		PUMP CRANKCASE W 151	1,00			--
0019		PVVR01092		OIL DIPSTICK W 151	1,00			--
0020		GUGO34590		O-RING D. 133.02 X 2.62 NBR 70SH	1,00			--
0021		ALMO41530		SHAFT TS 1511 USA	1,00			--
0022		VTAE14016		CIRCLIP D. 12 UNI 7435	6,00			--
0023		VTVR41531		KEY 8X 7X35 UNI 6604A	1,00			--
0024		PVVR01085		GUDGEON D.13X35 W151	3,00			--
0025		PVVR01029		PISTON GUIDE W 151	3,00			--
0026		BLVR01009		CONNECTING ROD W 151	3,00			--
0027		VTVT01116		SCREW TCEI 6X30 UNI5931	5,00			--
0028		MFVR03582		CRANKASE COVER W 151 POS	1,00			--
0029		PVVR01083		OIL INDICATOR G 3/4 W70-151	1,00			--
0030		RCDS01088		CAP 1/4X 9 M WW90	1,00			--
0031	S	GUGO01036		O-RING D. 10.82 X 1.78 NBR 70SH	4,00			--
0032		VTVT01120		SCREW TCEI 8X35 UNI5931	6,00			--
0033		VTRS14242		WASHER D. 8.4X13X0.8 UNI7064 SCH	6,00			--
0034	S	VTRS01753		WASHER D.14X28 X0,5	3,00			--
0035		PIVR01066		PISTON D.20X50 W 151	3,00			--
0036	S	GUVR00994		ANTI-EXTR.RING W151	3,00			--
0037	S	VTRS01076		WASHER D.14X18,5X0,5	3,00			--
0038	S	PVVR01107		PISTON BOLT IP W151	3,00			--
0039		MFVR03583		CRANKASE COVER W151	1,00			--
0040		PVVR01016		THICKNESS 0,1 W 151	2,00			--
0041	S	GUGO01003		OIL SEAL 30X 55X 7 NBR70	1,00			--
0042	S	GUGO01042		O-RING D. 34.6 X 1.78 NBR 70SH	3,00			--
0043	S	PVVR00977		PACKING RETAIN.W151	3,00			--
0044	S	GUVR00981		PACKING W151	3,00			--



Ref.	K	Part N.	Customer Part N.	Description	Qty	Validity:		Price
						From	To	
0045	S	PVVR00985		HEAD RING W151	3,00			--
0046	S	PVVR34589		INTERMED. RING W 151 D. 20	3,00			--
0047	S	GUVR34587		PACKING D. 20 RESTOP	3,00			--
0051		RCDS01091		CAP 1/2X10 M	1,00			--
0052		VTRS01075		WASHER D.21,5X27 ALL	1,00			--
0053		RCDS01090		CAP 3/8X13 M WW90	1,00			--
0054		VTRS01074		WASHER D.17,05X22,3 X1,5	1,00			--
0056	S	GUVR34585		PACKING W 151 L.P.	3,00			--



Ref. Part N.	Cust. Part N.	Description	Reference	Price
KTRI14900	KIT P	15- 3	0041	--
KTRI14901	KIT P	10	0042 0043	--
KTRI17793	KIT P	6	0031 0034 0036 0037 0038	--
KTRI17795	KIT P	4	0009 0010	--
KTRI17859	KIT P	1	0011	--
KTRI17860	KIT P	2	0016	--
KTRI18574	KIT P	7	0045	--
KTRI18579	KIT P	28	0042 0043 0044 0045 0046 0047 0056	--



Ref. K	Part N.	Customer Part N.	Description	Qty	Validity:		Price
					From	To	
0001	PVVR47977		CONNECTOR MV625 G 3/8F	1,00			--
0002	GUGO01058		O-RING D. 17.17 X 1.78 NBR 70SH	1,00			--
0003	MLML47978		SPRING MV 625	1,00			--
0004	PVVR47979		PIN MV 625	1,00			--
0005	GUGO46053		O-RING D. 6 X 3 NBR 90SH	1,00			--
0006	PVVR47980		VALVE BODY MV 625	1,00			--
0007	PVVR47997		CONNECTOR MV 625 H.73	1,00			--
0008	PVVR47988		CONNECTOR MV 625 REG.	1,00			--
0009	GUGO11225		O-RING D. 10.78 X 2.62 NBR 70SH	1,00			--
0010	PVVR47985		VALVE SEAT MV 625 + O-RING	1,00			--
0011	PVVR47986		SPRING PLATE MV 625	1,00			--
0012	MLML47987		SPRING D. 3.25X41.1 MV 625	1,00			--
0013	PVVR47984		RING NUT MV 625	1,00			--
0014	PVVR47989		CAP MV 625 REG.	1,00			--
0015	PVVR47990		RING NUT MV 625 REG.	1,00			--
0016	PVVR47991		REGISTER MV 625 REG.	1,00			--
0017	PVVR47992		CLAMP MV 625 REG.	1,00			--
0018	VTVT24918		SCREW EI-ST 4X 4 UNI5927	1,00			--