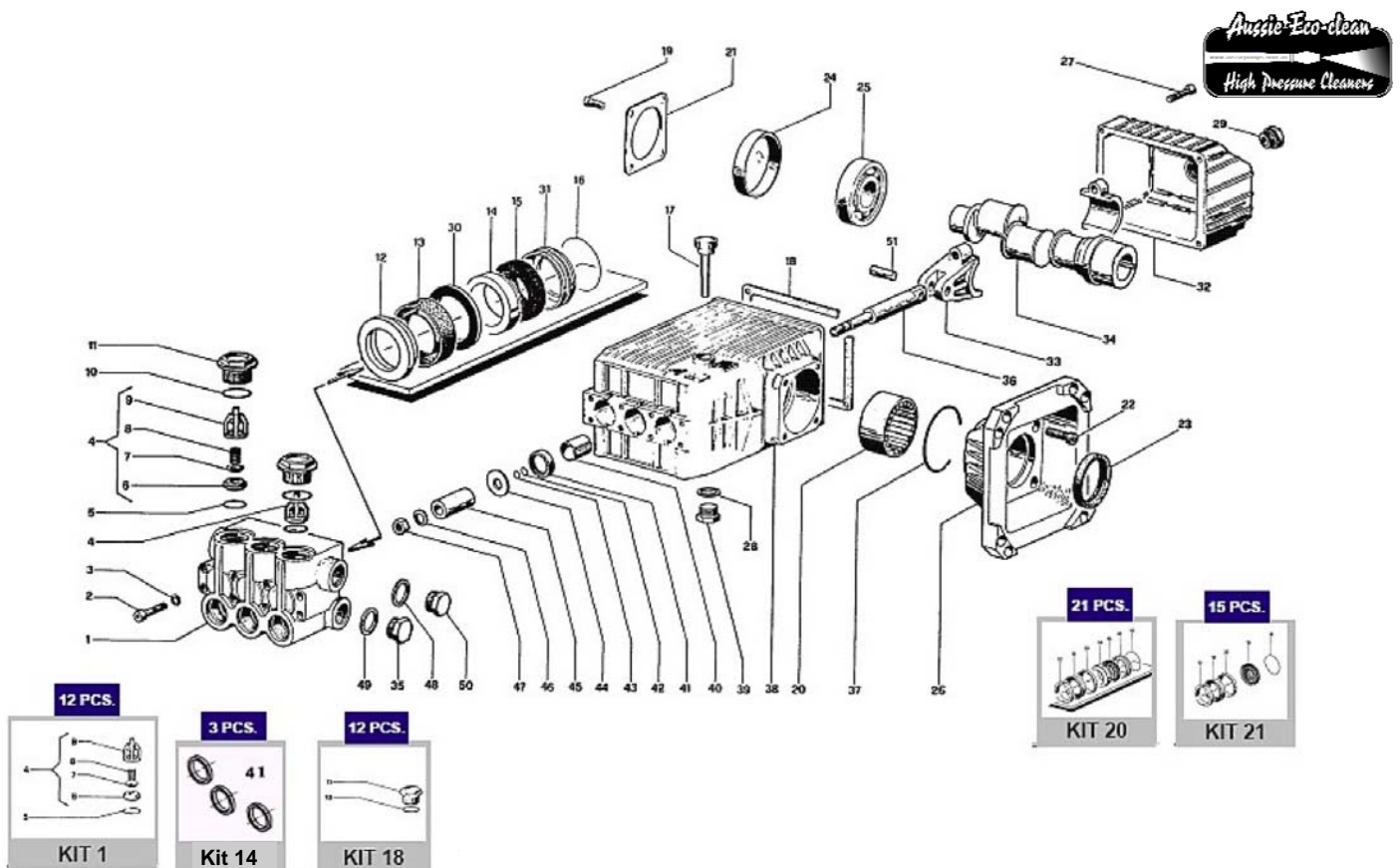




AUSSIE SPARES DIAGRAM & PARTS LIST

BERTOLINI HIGH PRESSURE PUMPS: TWS-G-3013
TWS-G-3016



Position	Part Number	Description	Qty	Retail Price
1	B050251282	PLATED PUMP BODY 1/2"	1	\$938
2	B862415002	BOLT M6x55	8	\$4
3	B843583002	LOCK WASHER DIA. 6.4x10x0.9	8	\$1
4-Kit 1	B049801973	VALVES ASSEMBLY	6	-
5-Kit 1	B803182002	O-RING DIA. 2.62x17.13	6	-
6-Kit 1	B040023512	VALVES ASSEMBLY SEAT	6	-
7-Kit 1	B040022682	VALVE	6	-
8-Kit 1	B940054512	VALVE SPRING	6	-
9-Kit 1	B040020322	VALVE CAGE	6	-
10	B803217502	O-RING DIA. 3x19	6	\$2
11	B050227532	NICKEL PLATED VALVE CAP	6	\$31
12-Kit 20, 21	B802061502	THRUST RING	3	-
13-Kit 20, 21	B802061602	SUPER "U" PACKING DIA. 18x28	3	-
14-Kit 20	B050226532	FRONT GLAND	3	-
15-Kit 20, 21	B802043002	LOW PRESSURE PACKING	3	-
16-Kit 20, 21	B803073002	O-RING DIA. 23.52x1.78	3	-
17	B852570002	FILLER PLUG	1	\$12
18	B050050722	CRANKCASE COVER GASKET	1	\$6
19	B862086002	SCREW TCEI M6x14	4	\$1
20	B812878902	NEEDLE BEARING HK 4020	1	\$67
21	B050045612	CRANKCASE COVER	1	\$3
22	B862216002	SCREW M6x25	4	\$1
23	B802178002	OIL SEAL DIA. 40x52x7	1	\$20
24	B802101002	CAP RCA 6210	1	\$11
25	B812730002	STRAIGHT ROLLER BEARING NY 30S	1	\$145

Position	Part Number	Description	Qty	Retail Price
26	B050058092	MOTOR FLANGE	1	\$58
27	B862355002	SCREW TCEI M6x45 UNI 5931	4	\$2
28	B824107002	GASKET DIA. 16.5x23.1	1	\$1
29	B853505002	OIL SIGHT GLASS	1	\$14
30-Kit 20, 21	B802061702	HP ANTI EXTRUSION RING	3	-
31-Kit 20	B050222532	BACK BRASS GLAND DIA. 18MM	3	-
32	B050202092	CRANKCASE REAR COVER	1	\$52
33	B050005092	CONNECTING ROD	3	\$52
34/1	B050046262	HOLLOW CRANKSHAFT 1"	1	\$335
34/4	B0500049262	HOLLOW CRANKSHAFT 1"	1	\$335
35	B852629502	NICKEL PLATED G 1/2"	1	\$16
36	B050211512	SPECIAL PLUNGER ROD	3	\$63
37	B803210002	O-RING DIA. 2.62x56.82	1	\$2
38	B050001092	PUMP CRANKCASE	1	\$212
39	B852579002	PLUG G 3/8	1	\$7
40	B804140002	SELF-LUBRICATING BUSHING	3	\$25
41	B802040002	OIL SEAL DIA. 16x24x5	3	\$11
42	B803908502	ANTI-EXTRUSION RING	3	\$2
43	B803049002	O-RING DIA. 1.78x5.28	3	\$3
44	B843726002	WASHER DIA. 9.1x24x1	3	\$2
45	B050010182	CERAMIC PISTON DIA. 18MM	3	\$99
46	B843642902	WASHER DIA. 8.1x14x1	3	\$1
47	B814561002	STAINLESS STEEL NUT M8 UNI 5589	3	\$3
48	B824109002	COPPER GASKET DIA. 17x22x1	1	\$1
49	B824140002	GASKET FOR COUPLING 21.2x26x1	1	\$2
50	B852590002	NICKEL PLATED CAP 3/8" G	1	\$17
51	B852006252	LAPPED PISTON PIN DIA. 12x24x25.2 CO	3	\$6

Bertolini Kits ... Rejuvenate your pump & SAVE, SAVE, SAVE

Kit No.	Part No.	Description	Retail Price
1	B059880973	Valve Kit	\$99
14	B059844973	Oil seal kit	\$33
18	B059848973	Valve cap kit	\$188
21	B059850973	Seal Kit Minor	\$205
20	B059834973	Seal Kit Major	\$299
Aussie pressure test set			\$165
Aussie pressure test set includes gauge and fitting for testing pump output pressure and Bertolini Pump Selection Guide			

