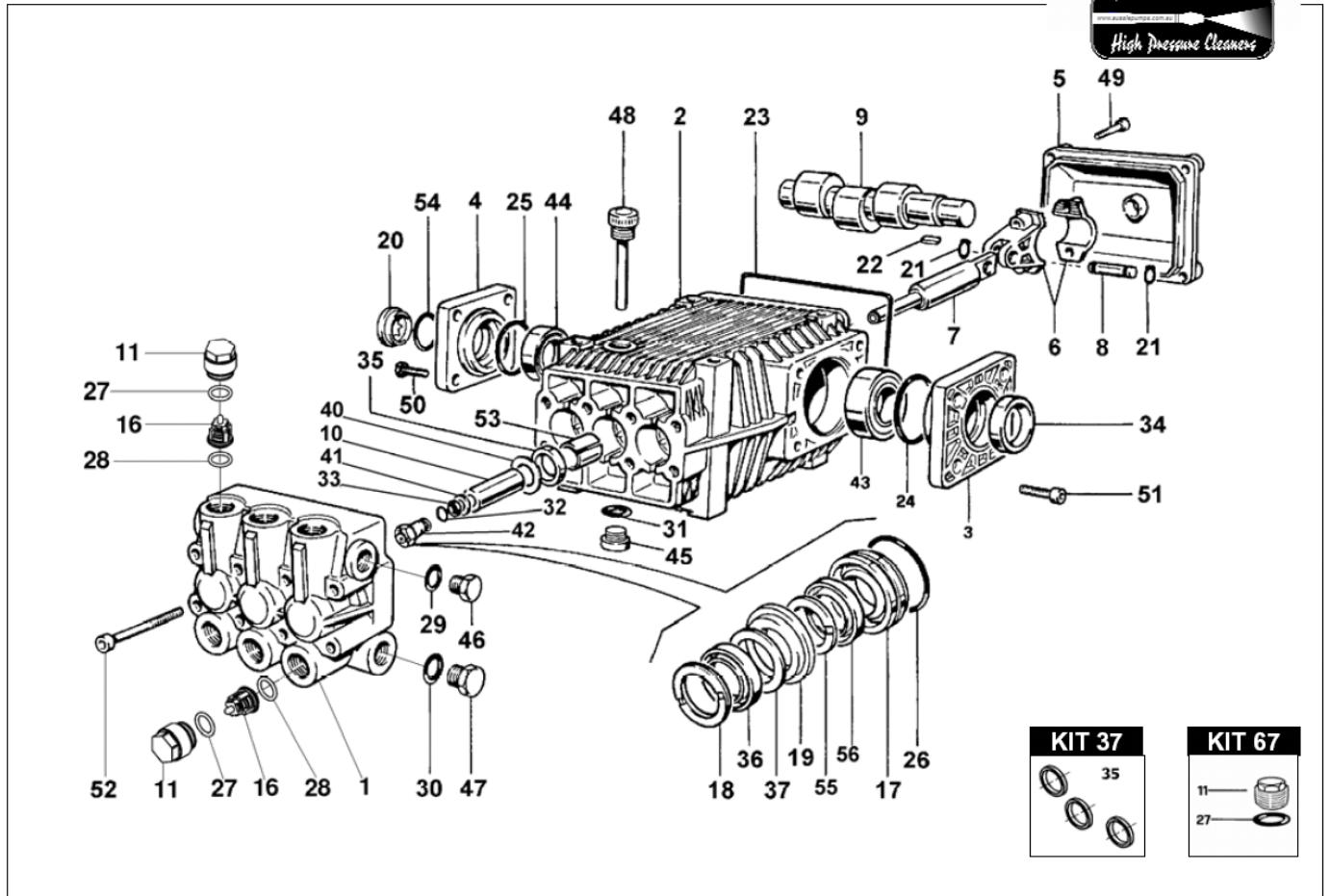




AUSSIE SPARES DIAGRAM & PARTS LIST

BERTOLINI HIGH PRESSURE PUMPS: TTV 2015
TTV 2021



KIT 89	KIT 86	KIT 123	KIT 127

Bertolini Kits ... Rejuvenate your pump & SAVE, SAVE, SAVE

Kit No.	Part No.	Description	Retail Price
127	B069872973	Oil Seal & Sight Glass Kit	\$116.50
123	B069867973	Valve Kit	\$117.70
89	B069839973	Seal Kit Minor	\$206.80
86	B069836973	Seal Kit Major	\$385.00
37	B069814973	Oil Seal Kit	\$49.50
Aussie pressure test set		Aussie pressure test set includes gauge and fitting for testing pump output pressure and Bertolini Pump Selection Guide	\$165.00





AUSSIE SPARES DIAGRAM & PARTS LIST

BERTOLINI HIGH PRESSURE PUMPS: TTV 2015
TTV 2021

Position	Part Number	Description	Qty	Retail Price
1	B060079282	PUMP HEAD D.20	1	\$1,241
2	B060001092	CRANKCASE	1	\$350
3	B060016092	BEARING COVER DIA.72 MM	1	\$35
4	B060017092	BEARING COVER DIA.80 MM	1	\$35
5	B060003092	CRANKCASE COVER	1	\$67
6	B069800972	CONNECTING ROD	3	\$67
6	B862796002	CONNECTING ROD BOLT	6	\$2
7	B060071512	PLUNGER ROD	3	\$112
8	B060007492	PISTON PIN DIA.15 MM	3	\$11
9-1	B060106262	CRANKSHAFT TTV 3040	1	\$503
9-2	B060107262	CRANKSHAFT TTV 1515-2015-3047	1	\$503
9-4	B060109262	CRANKSHAFT TTV 1521-2021	1	\$503
10	B060009182	CERAMIC PISTON DIA.20 MM	3	\$107
11	B070040532	VALVE CAP M27x1,5	6	\$23
16-kit 123	B069846973	CHECK VALVES	6	-
17-kit 86	B060036532	BACK GLAND DIA.20 MM	3	-
18-kit 86-89	B802065302	THRUST RING DIA.20	3	-
19-kit 86	B060076532	FRONT GLAND	3	-
20-kit 127	B060059322	OIL SIGHT GLASS	1	\$31
21	B801099002	CIRCLIP DIA.15	6	\$1
22	B806534002	TAB 8X7X35	1	\$4
23-kit 127	B803210902	O-RING DIA.2,62X152	1	-
24-kit 127	B803210552	O-RING DIA.2,62X67,95	1	-
25-kit 127	B803210642	O-RING DIA.2,62X75,87	1	-
26-kit 86-89	B803080102	O-RING DIA.1,78X34,65	3	-
27	B803182002	O-RING DIA.2,62X17,13	6	\$1
28-kit 123	B803182002	O-RING DIA.2,62X17,13	6	-
29	B824109002	GASKET DIA.17X22X1	1	\$1
30	B824180002	GASKET DIA.27X36X1	1	\$2
31-kit 127	B803204002	O-RING DIA.2,62X23,81	1	-
32	B803058002	O-RING DIA.1,78X10,82	3	\$2
33	B803902002	ANTI-EXTRUSION RING	3	\$2
34-kit 127	B802143002	OIL SEAL	1	-
35-kit 37-127	B802090002	OIL SEAL DIA.17	3	-
36-kit 86-89	B802065102	SUPER U" PACKING DIA.20X30 "	3	-
37-kit 86-89	B060086322	ANTIEXTRUSION RING	3	-
40	B060018682	WASHER DIA.14X38X0,5	3	\$3
41	B843646002	WASHER	3	\$2
43	B812848002	ROLLER BEARING DIA.35X72X17	1	\$122
44	B812867002	BALL BEARING	1	\$109
45	B852687002	CAP G 3/4	1	\$28
46	B852579002	PLUG G 3/8	1	\$7
47	B852693002	CAP G3/4	1	\$18
48	B060020322	OIL FILLER PLUG WITH DIP STICK	1	\$10
49	B862108002	BOLT	4	\$1
50	B863265002	BOLT	4	\$2
51	B862562002	BOLT	4	\$2
52	B862951002	BOLT	8	\$2
53	B804300002	SELF-LUBRIFICATING BUSHING	3	\$20
54-kit 127	B803265002	O-RING DIA.3,53X46,01	1	-
55-kit 86-89	B380392322	THRUST RING DIA.20X30	3	-
56-kit 86-89	B802064002	V" PACKING DIA.20X30 "	3	-
17-18-26-36-37-56	B069884973	KIT PACKING FOR HOT WATER	18	\$825