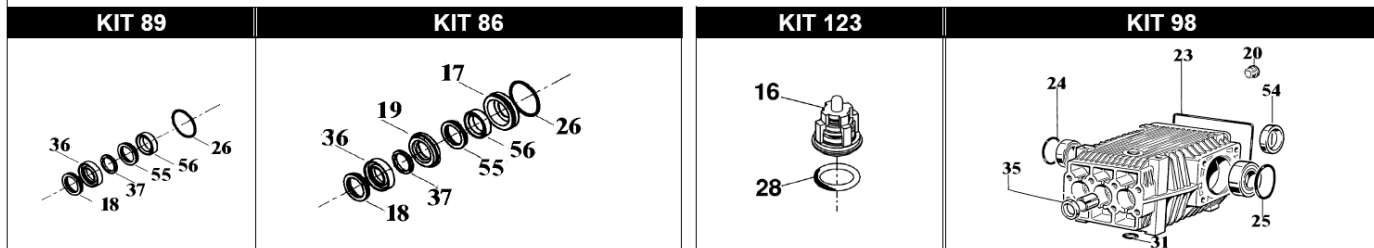
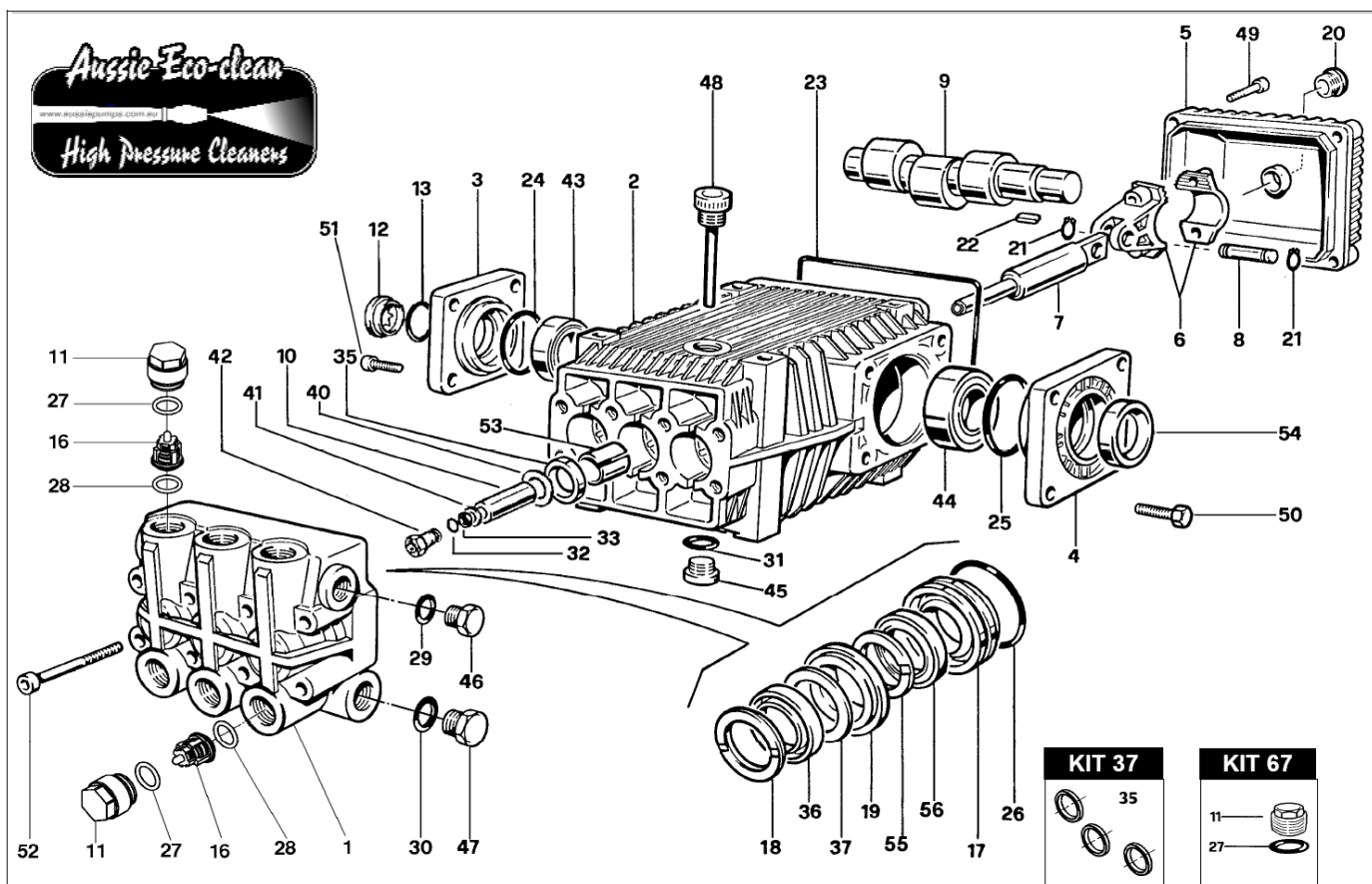




AUSSIE SPARES DIAGRAM & PARTS LIST

BERTOLINI HIGH PRESSURE PUMPS: TTK 2130



Bertolini Kits ... Rejuvenate your pump & SAVE, SAVE, SAVE

Kit No.	Part No.	Description	Pieces	Retail Price
98	B069842973	Full Oil seal kit	9	\$110.00
123	B069867973	Valve Kit	12	\$117.70
89	B069839973	Seal Kit Minor	18	\$206.80
86	B069836973	Seal Kit Major	24	\$385.00
37	B069814973	Oil Seal Kit	3	\$49.50
67	B049839973	Valve cap kit	12	\$125.00
Aussie pressure test set		Aussie pressure test set includes gauge and fitting for testing pump output pressure and Bertolini Pump Selection Guide		\$165.00





AUSSIE SPARES DIAGRAM & PARTS LIST

BERTOLINI HIGH PRESSURE PUMPS: TTK 2130

Position	Part Number	Description	Qty	Retail Price
1	B060083282	PUMP HEAD	1	\$1,241
2	B060001092	PUMPS CRANKCASE	1	\$350
3	B060016092	BEARING COVER DIA.72	1	\$41
4	B060017092	BEARING COVER DIA.80 MM	1	\$3
5	B060006092	CRANKCASE COVER	1	\$82
6	B069800972	CONNECTING ROD	3	\$66
6	B862796002	CONNECTING ROD BOLT	6	\$67
7	B060071512	PLUNGER ROD	3	\$112
8	B060007492	PISTON PIN DIA.15 MM	3	\$11
9-1	B060164262	CRANKSHAFT TTK 2130	1	\$502
10	B060009182	CERAMIC PISTON DIA.20 MM	3	\$107
11-kit 67	B070040532	VALVE CAP	6	-
12	B060059322	OIL SIGHT GLASS	1	\$30
13	B803265002	O RING	1	\$2
16-kit 123	B069846973	VALVES ASSEMBLY	6	-
17-kit 86	B060036532	BACK GLAND DIA.20 MM	3	-
18-kit 86-89	B802065302	THRUST RING DIA.20	3	-
19-kit 86	B060076532	FRONT GLAND	3	-
20-kit 98	B853515502	OIL SIGHT GLASS	1	\$20
21	B801099002	CIRCLIP DIA.15	6	\$1
22	B806534002	TAB 8X7X35	1	\$4
23-kit 98	B803210902	O-RING DIA.2.62X152	1	-
24-kit 98	B803210552	O-RING DIA.2.62X67,95	1	-
25-kit 98	B803210642	O-RING DIA.2.62X75,87	1	-
26-kit 86-89	B803080102	O-RING DIA.1.78X34,65	3	-
27-kit 67	B803182002	O-RING DIA.2.62X17,13	6	-
28-kit 123	B803182002	O-RING DIA.2.62X17,13	6	-
29	B824109002	COPPER GASKET DIA.17X22X1	1	\$1
30	B824180002	GASKET DIA.27X36X1	1	\$2
31-kit 98	B803204002	O-RING DIA.2.62X23,81	1	-
32	B803058002	O-RING DIA.1.78X10,82	3	\$2
33	B803902002	ANTI-EXTRUSION RING	3	\$2
35-kit 98- kit 37	B802090002	OIL SEAL DIA.17	3	-
36-kit 86-89	B802065102	SUPER U" PACKING DIA.20X30 "	3	-
37-kit 86-89	B060086322	ANTIEXTRUSION RING	3	-
40	B060018682	WASHER DIA.14X38X0,5	3	\$3
41	B843646002	WASHER	3	\$2
42	B060072002	PISTON BOLT	3	\$9
43	B812848002	ROLLER BEARING DIA.35X72X17	1	\$122
44	B812870002	ROLLER BEARING DIA.35X80X21	1	\$158
45	B852687002	CAP G 3/4	1	\$28
46	B852590002	PLUG G 3/8 "	1	\$17
47	B852693002	PLUG G.3/4 "	1	\$30
48	B060020322	OIL FILLER PLUG WITH DIP STICK	1	\$10
49	B862216002	BOLT M6X25	4	\$2
50	B863265002	BOLT M10X25	4	\$2
51	B862562002	BOLT M 8X20	4	\$2
52	B862985002	BOLT TCEI M8X70 UNI 5931	8	\$3
53	B804300002	SELF-LUBRIFICATING BUSHING	3	\$20
54-kit 98	B802143002	OIL SEAL	1	-
55-kit 86-89	B380392322	THRUST RING DIA.20X30	3	-
56-kit 86-89	B802064002	V" PACKING DIA.20X30 "	3	-
17-18-26-36-37-56	B069884973	KIT 200 PACKING FOR HOT WATER	21	\$824
	B069956973	KIT 249 H.W VALVE KIT	18	tba