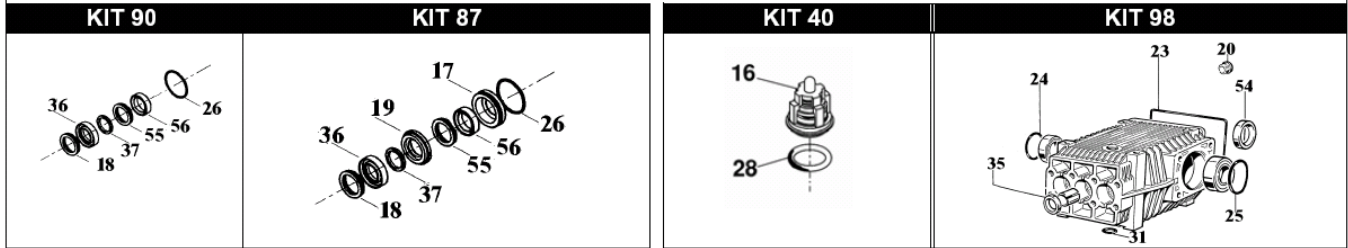
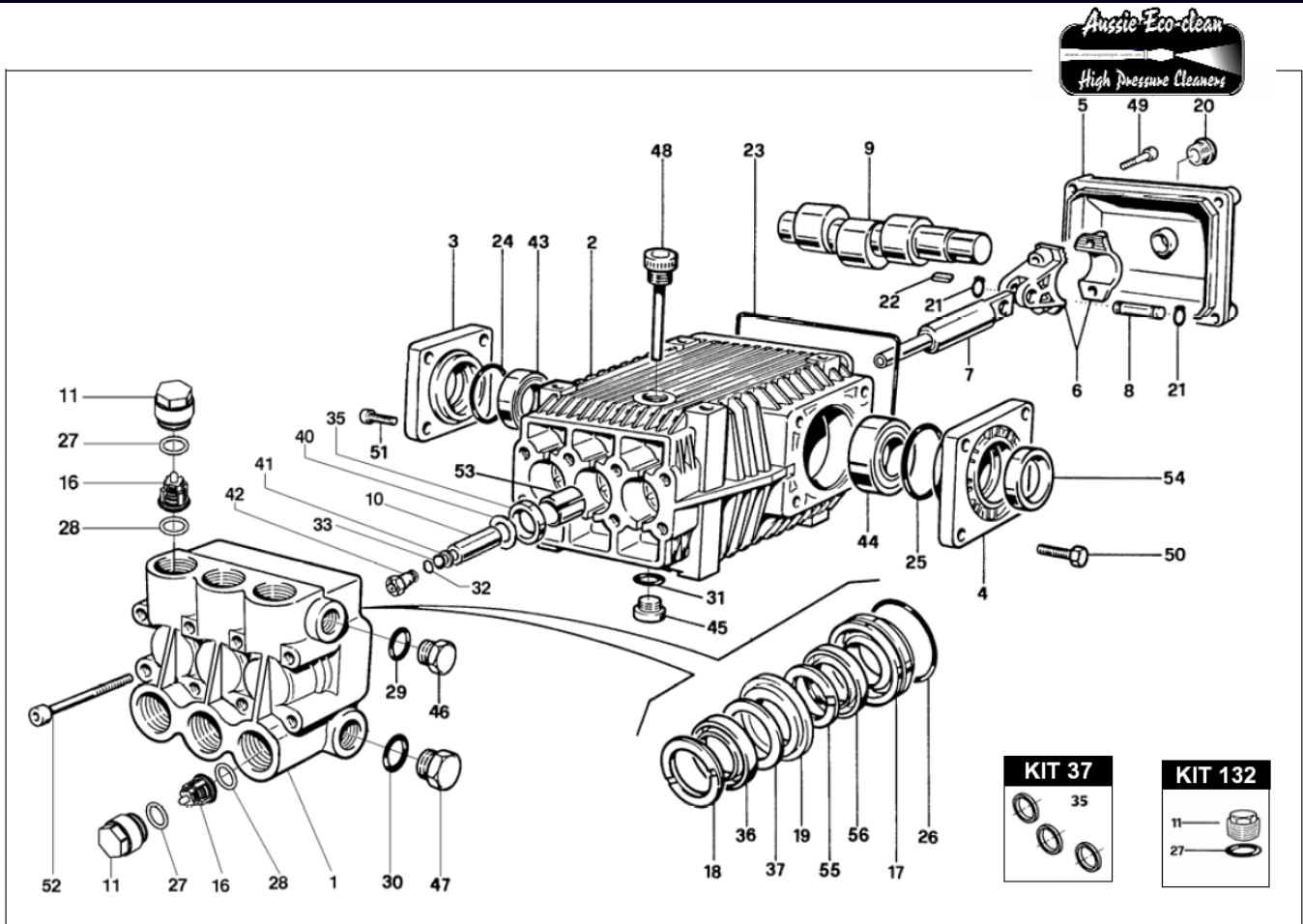




# AUSSIE SPARES DIAGRAM & PARTS LIST

## BERTOLINI HIGH PRESSURE PUMPS: KKV 2028



### Bertolini Kits ... Rejuvenate your pump & SAVE, SAVE, SAVE

Kit No.	Part No.	Description	Retail Price
98	B069842973	Oil seal & Sight Glass kit	\$110
40	B069817973	Valve Kit	\$200
90	B069840973	Seal Kit Minor	\$237
87	B069837973	Seal Kit Major	\$377
37	B069813973	Oil Seal Kit	\$50
Aussie pressure test set		Aussie pressure test set includes gauge and fitting for testing pump output pressure and Bertolini Pump Selection Guide	\$165





## AUSSIE SPARES DIAGRAM & PARTS LIST

### BERTOLINI HIGH PRESSURE PUMPS: KKV 2028

Position	Part Number	Description	Qty	Retail Price
1	B060075282	PUMP HEAD D.22	1	\$1,390
2	B060021092	CRANKCASE	1	\$351
3	B060056092	BEARING COVER DIA.72	1	\$41
4	B060017092	BEARING COVER DIA.80 MM	1	\$41
5	B060006092	CRANKCASE COVER	1	\$82
6	B069800972	CONNECTING ROD	3	\$67
6	B862796002	CONNECTING ROD BOLT	6	\$2
7	B060071512	PLUNGER ROD	3	\$112
8	B060007492	PISTON PIN DIA.15 MM	3	\$11
9-1	B060033262	CRANKSHAFT KKV 3067	1	\$502
9-2	B060034262	CRANKSHAFT KKV 2025-3078	1	\$502
9-3	B060035262	CRANKSHAFT KKV 2028-3087	1	\$502
10	B060010182	CERAMIC PISTON DIA.22 MM	3	\$133
11-kit 132	B060095282	VALVE CAP D.36X1,5	6	-
16-kit 40	B069801973	VALVES ASSEMBLY	6	-
17-kit 87	B060037532	BACK GLAND DIA.22 MM	3	-
18-kit 87-90	B802088802	THRUST RING DIA.22	3	-
19-kit 87	B060077532	FRONT GLAND	3	-
20-kit 98	B853515502	OIL SIGHT GLASS	1	\$20
21	B801099002	CIRCLIP DIA.15	6	\$1
22	B806534002	TAB 8X7X35	1	\$4
23-kit 98	B803210902	O-RING DIA.2,62X152	1	-
24-kit 98	B803210552	O-RING DIA.2,62X67,95	1	-
25-kit 98	B803210642	O-RING DIA.2,62X75,87	1	-
26-kit 87-90	B803080202	O-RING DIA 1,78X37,82	3	-
27-kit 132	B803204802	O-RING DIA.2,62X23,81	6	-
28-kit 40	B803204802	O-RING DIA.2,62X23,81	6	-
29	B824140002	GASKET	1	\$17
30	B824230002	GASKET 34,5X42X1	1	\$4
31-kit 98	B803204002	O-RING DIA.2,62X23,81	1	-
32	B803058002	O-RING DIA.1,78X10,82	3	\$2
33	B803902002	ANTI-EXTRUSION RING	3	\$2
35-kit 37-98	B802090002	OIL SEAL DIA.17	3	-
36-kit 87-90	B802088602	SUPER U" PACKING DIA.22X35 "	3	-
37-kit 87-90	B060087322	ANTIEXTRUSION RING	3	-
40	B060018682	WASHER DIA.14X38X0,5	3	\$3
41	B843646002	WASHER	3	\$2
42	B060072002	PISTON BOLT	3	\$9
43	B812848002	ROLLER BEARING DIA.35X72X17	1	\$122
44	B812870002	ROLLER BEARING DIA.35X80X21	1	\$158
45	B852687002	CAP G 3/4	1	\$28
46	B852629002	PLUG G 1/2 "	1	\$9
47	B852712002	CAP G 1 "	1	\$28
48	B060020322	OIL FILLER PLUG WITH DIP STICK	1	\$10
49	B862216002	BOLT M6X25	4	\$1
50	B863265002	BOLT M10X25	4	\$2
51	B862562002	BOLT M 8X20	4	\$2
52	B863590002	GALVANIZED BOLT M10X80	8	\$5
53	B804300002	SELF-LUBRIFICATING BUSHING	3	\$20
54-kit 98	B802143002	OIL SEAL	1	-
55-kit 87-90	B060012322	THRUST RING DIA.22 MM	3	-
56-kit 87-90	B802087002	V" PACKING DIA.22X32 "	3	-
17-18-26-36-37-56	B069885973	KIT PACKING FOR HOT WATER	18	\$856
16-28	B069887973	KIT CHECK VALVES FOR HOT WATER	12	\$191