

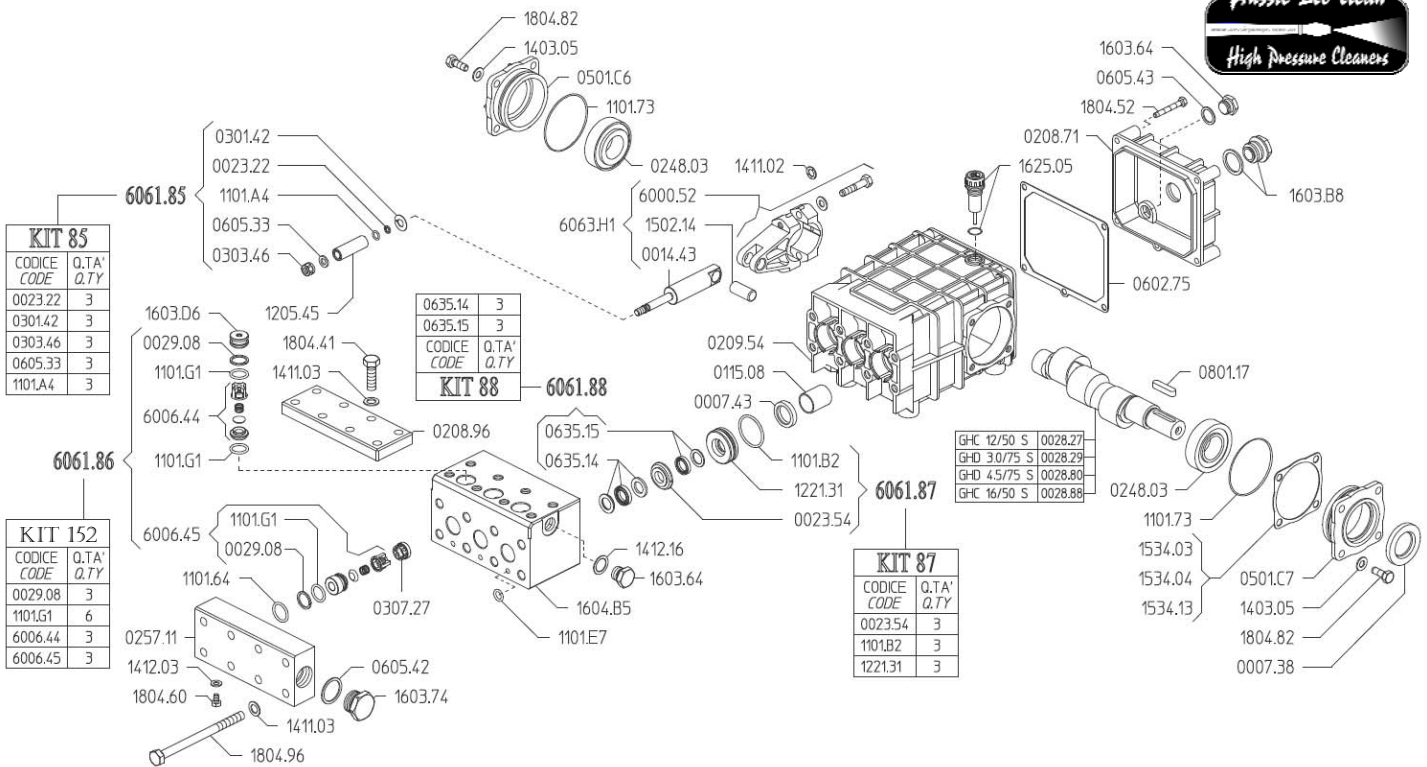


# AUSSIE SPARES DIAGRAM & PARTS LIST

UDOR HIGH PRESSURE PUMPS:

GHC 12/50

GHC 16/50



KIT 85	
CODICE CODE	Q.TA' Q.TY
0023.22	3
0301.42	3
0303.46	3
0605.33	3
1101.A4	3

KIT 88	
CODICE CODE	Q.TA' Q.TY
0635.14	3
0635.15	3

KIT 152	
CODICE CODE	Q.TA' Q.TY
0029.08	3
1101.G1	6
6006.44	3
6006.45	3

KIT 87	
CODICE CODE	Q.TA' Q.TY
0023.54	3
1101.B2	3
1221.31	3

GHC 12/50 S	0028.27
GHD 3.0/7.5 S	0028.29
GHD 4.5/7.5 S	0028.80
GHC 16/50 S	0028.88

Kit No.	Part Number	Description	Retail price
BKIT 85	606185	Piston kit	\$88
BKIT 152	606186	Valve kit	\$451
BKIT 87	606187	Brass ring kit	\$311
BKIT 88	606188	Water seal kit	\$780
	1205.45	Piston (3 required per pump) price each	\$60
Breathers & Sight Glass			
GHC & GHD series	162505	Breather	\$4.50
	1603B8	Sight glass	\$10

