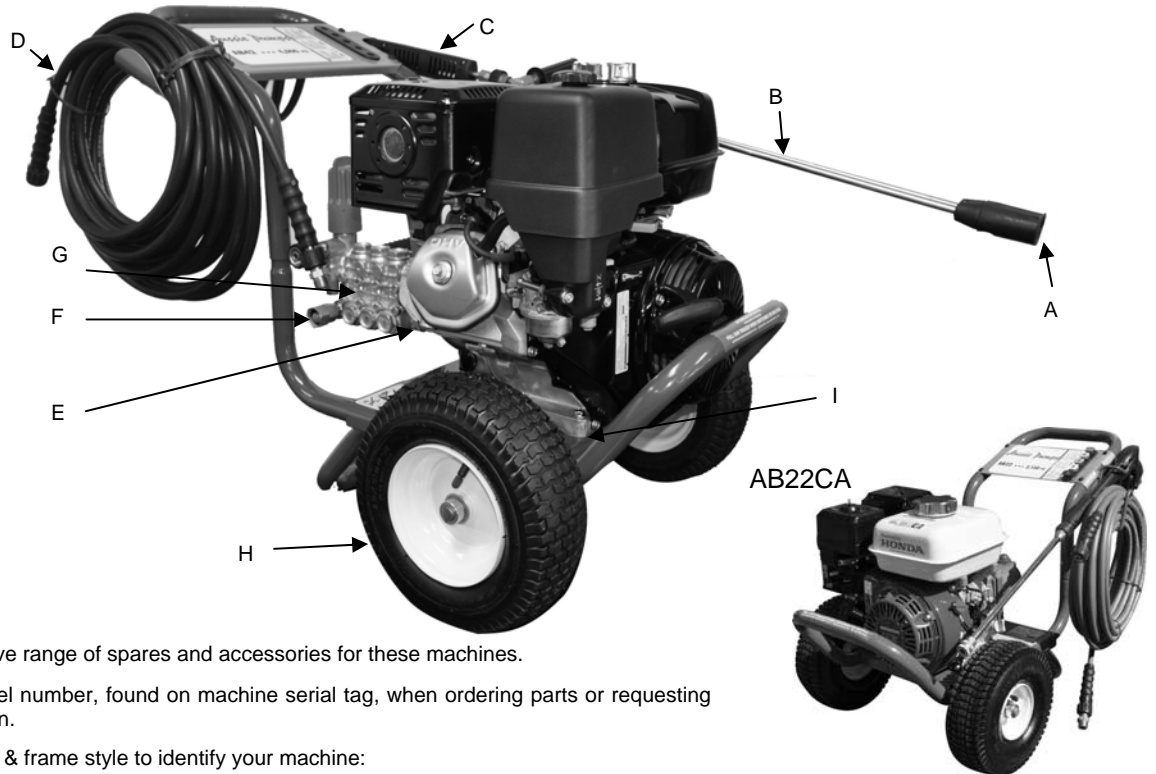




## AUSSIE SPARES DIAGRAM & PARTS LIST

AUSSIE SLOW SPEED ENGINE DRIVE BLASTERS: AB22CA  
AB32G  
AB42G

AB32G & AB42G



We stock a comprehensive range of spares and accessories for these machines.

**IMPORTANT:** Give model number, found on machine serial tag, when ordering parts or requesting information.

Use engine, pump model & frame style to identify your machine:

Model	Stock Code	Engine	Pump Make	Pump Model	Pump Pressure (psi)	EWP	Flow rate (lpm)	Pump rpm	
AB22CA	AB22/GX200	Honda GX200	6.5HP	CAT	3DNX	2150	3400	12.5	3200
AB32G	AB32/GX270	Honda GX270	9HP	Interpump	TX1508G8UIA	3000	4785	13	3200
AB42G	AB42/GX390	Honda GX390	13HP	Interpump	TX1510G8UIAF	4000	6000	13	3200

Note: If your machine has a Bertolini pump it is not covered on this sheet, check website for applicable sheet

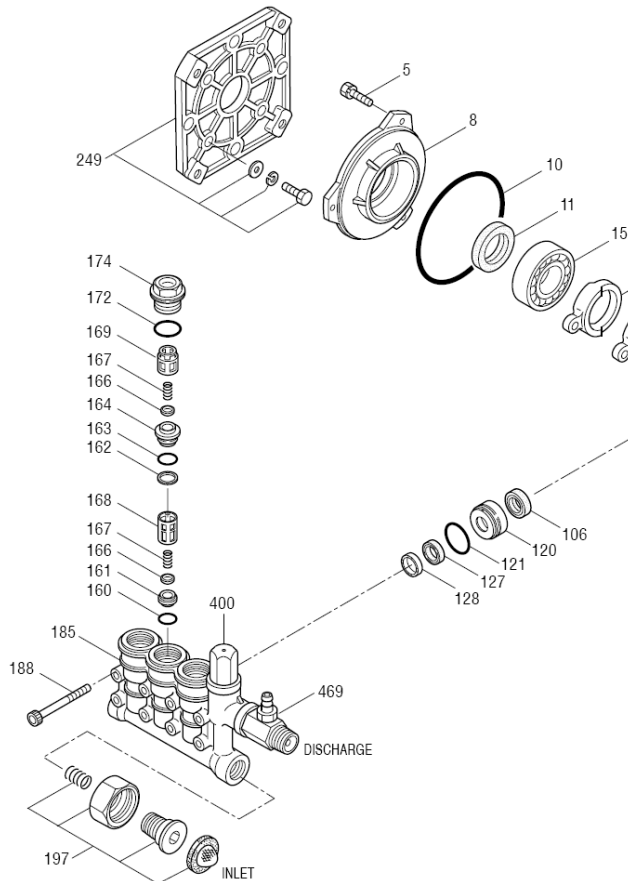
Position	Part No	Description	AB22CA	AB32G	AB42G	Retail Price
	<b>Nozzles</b>					
A	C900035Q	0° NOZZLE, TIP SIZE 40 (RED)	✓			\$23
	C915035Q	15° NOZZLE, TIP SIZE 40 (YELLOW)	✓			\$23
	C925035Q	25° NOZZLE, TIP SIZE 40 (GREEN)	✓			\$23
	C940035Q	40° NOZZLE, TIP SIZE 40 (WHITE)	✓			\$23
	C965400Q	LP DETERGENT NOZZLE FOR Q SERIES	✓			\$23
	C9150_M	HP NOZZLE (15° ANGLE)		35	30	\$23
	C91550MSS	LP DETERGENT NOZZLE		✓	✓	\$23
	<b>Lance</b>					
B	C3930.00	400MM SS SINGLE LANCE	✓			\$43
	CD10002	M22 QUICK COUPLER FOR NOZZLE	✓			\$23
	M212003540	M22 X 3/8M COUPLER BETWEEN LANCE & GUN	✓			\$17
	C3924.01	684MM SS DOUBLE LANCE C/W BOOT		✓	✓	\$109
	<b>Gun</b>					
C	M200019050	AL12 GUN WITH MELTED HANDLE & QC	✓			\$53
	M200917400	AL50 GUN WITH MELTED HANDLE & QC		✓	✓	\$98
	C1500.05	M22 MALE NIPPLE (TO CONNECT GUN TO LANCE)	✓			\$8
	<b>Hose</b>					
D	AR206K2214MB6X10	10 MTR HP HOSE (R2, 4500 PSI) - order quick coupler to connect hose	✓	✓	✓	\$163
	M212003520	Quick coupler to fit hose to gun (3/8"G-F to M22)	✓	✓	✓	\$17
	<b>Thermal Dump Valves</b>					
E	7101359	INTERPUMP THERMAL DUMP VALVE 3/8"	✓			POA
	7101331	INTERPUMP THERMAL DUMP VALVE 1/2"		✓	✓	POA
	<b>Inlet Strainer</b>					
F	7101379	GENERAL PUMP INLET STRAINER ONLY	✓	✓	✓	POA
	7100355	INLET FITTING WITH STRAINER (GENERAL PUMP)	✓			POA
	7100495	INLET FITTING WITH STRAINER (GENERAL PUMP)		✓	✓	POA
	<b>Pumps</b>					
G	3DNX	CAT PUMP (2000 PSI, 12 LPM)	✓			POA
	TX1508G8UIA	INTERPUMP (3,000 PSI, 12 LPM) UH2013CV (VER 026)		✓		POA
	TX1510G8UIAF	INTERPUMP (4,000 PSI, 12 LPM) UH2016CV (VER 027)			✓	POA
	<b>Wheel</b>					
H	A400015	10" WHEEL	✓	✓	✓	\$31



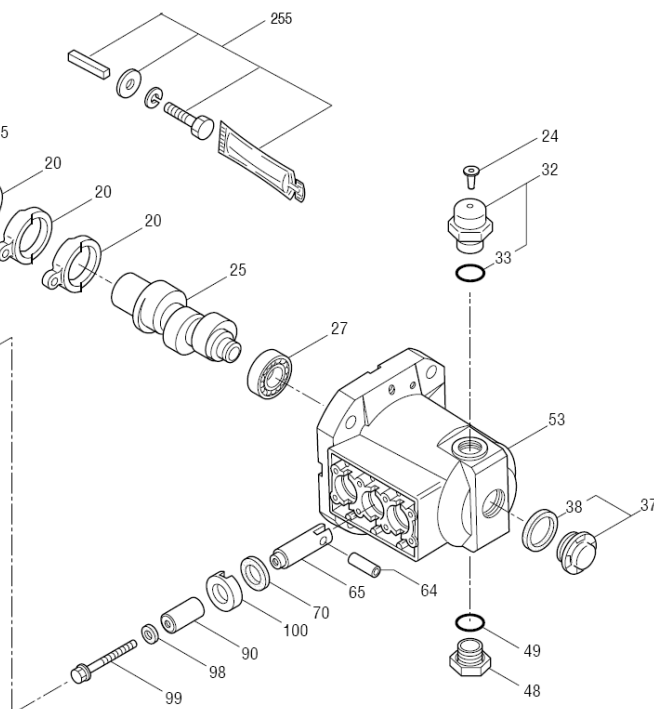
# AUSSIE SPARES DIAGRAM & PARTS LIST

AUSSIE SLOW SPEED ENGINE DRIVE BLASTERS: AB22CA  
AB32G  
AB42G

## AB22CA Only EXPLODED VIEW



## 3DNX PLUNGER PUMP MODEL 3DNX25GSI, 3DNX27GSI



### PARTS LIST

ITEM	PN	MATL	DESCRIPTION	QTY
5	547161	STCP	Screw, HHC Sems (M6x14)	3
	549360	STCP R	Screw, HHC Sems (M6x14)	3
8	547153	AL	Cover, Bearing	1
10	14041	NBR	O-Ring, Bearing Cover - 70D	1
11	55337	NBR	Seal, Oil - 70D	1
15	14488	STL	Bearing, Ball	1
20	547048	TNM	Rod, Connecting	3
24	76045	LDPE	Plug, Oil Cap	1
25	549446	CM	Crankshaft, 3450 RPM, 3/4", 6.8 mm	1
	548558	CM	Crankshaft, 3450 RPM, 3/4", 7.2 mm	1
27	56084	STL	Bearing, Ball	1
32	547961	RTP	Cap, Oil Filler w/O-Ring	1
33	14179	NBR	O-Ring, Oil Filler Cap - 70D	1
37	92241	—	Gauge, Bubble Oil w/Gasket	1
38	44428	NBR	Gasket, Flat Flex, Oil Gauge - 80D	1
48	44842	NY	Plug, Drain	1
49	14179	NBR	O-Ring, Drain Plug - 70D	1
53	548062	AL	Crankcase	1
64	46229	CM	Pin, Crosshead	3
65	542402	BB	Rod, Plunger	3
70	47215	NBR	Seal, Oil - 70D	3
90	547091	CC	Plunger (M14x25.5)	3
98	46730	NBR	Washer, Seal - 90D	3
99	542405	S	Retainer, Plunger (M6x35)	3
100	46233	NY	Retainer, Seal	3
106	45188	NBR	Seal, LPS w/S-Spg	3
120	548559	BB	Case, Seal	3
121	13976	NBR	O-Ring, Seal Case - 70D	3
127	547082	SNG	V-Packing	3

ITEM	PN	MATL	DESCRIPTION	QTY
128	547083	PVDF	Adapter, Male	3
160	17428	NBR	O-Ring, Inlet Seat - 80D	3
161	547077	S	Seat, Inlet	3
162	48361	D	Back-up-Ring, Discharge Seat	3
163	43358	NBR	O-Ring, Discharge Seat - 70D	3
164	547076	S	Seat, Discharge	3
166	547098	S	Valve	6
167	46865	S	Spring	6
168	543988	PVDF	Retainer, Spring, Inlet	3
169	547441	PVDF	Retainer, Spring, Discharge	3
172	142807	NBR	O-Ring, Plug - 90D	3
174	547078	BB	Plug, Valve (M22x1.5)	3
185	548509	BB	Head, Manifold w/Integral Unloader Body	1
188	542406	STZP	Screw, HSH (M6x60)	8
	549357	STCP R	Screw, HSH (M6x60)	8
197	941516	BB	Assy, GH, 3/8" NPTM	1
	—	—	Nut, Swivel (3/4" FGH)	1
	—	—	Fitting, (3/8" NPTM)	1
	—	—	Screen, Inlet	1
	—	—	Spring	1
249	30520	—	Assy, Adapter Mount	1
255	30516	STZP R	Assy, Bolt Mount	1
283	990394	—	Kit, Oil Drain (Not Shown)	1

### Pump Repair Kits

Kit No.	31684 (seal kit)	31647 (valve kit)
Items included	98, 106, 121, 127, 128	160, 161, 162, 163, 164, 166, 167, 168, 169, 172
Pc in Kit	15	36

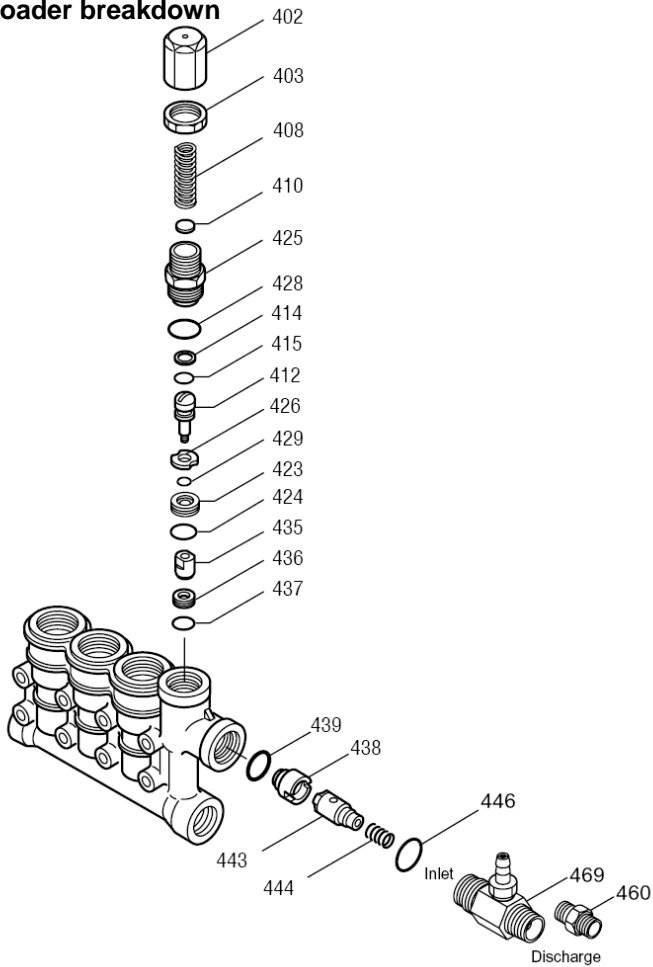


# AUSSIE SPARES DIAGRAM & PARTS LIST

AUSSIE SLOW SPEED ENGINE DRIVE BLASTERS: AB22CA  
AB32G  
AB42G

## AB22CA Only

### Unloader breakdown



### PARTS LIST

ITEM	PN	MATL	DESCRIPTION	QTY.
402	547798	BB	Cap, Adjusting	1
403	45070	BB	Nut, Lock (M18x1)	1
408	32094	STZP R	Spring, Pressure	1
410	549352	STCP R	Retainer, Spring	1
412	45694	S	Stem, Piston	1
414	20184	PTFE	Back-up-Ring, Piston Stem	1
415	14190	NBR	O-Ring, Piston Stem - 70D	1
423	46249	BB	Retainer, Valve	1
424	13966	NBR	O-Ring, Valve Retainer (Outer) - 70D	1
425	547799	BB	Retainer, Piston	1
426	46250	S	Washer	1
428	26133	NBR	O-Ring, Piston Retainer - 80D	1
429	17399	NBR	O-Ring, Valve Retainer (Inner) - 80D	1
435	547800	S	Valve	1
436	547801	S	Seat	1
437	13963	NBR	O-Ring, Seat - 70D	1
438	46254	NY	Seat, Check Valve	1
439	13963	NBR	O-Ring, Check Valve Seat - 70D	1
443	541060	BB	Valve, Check w/O-Ring	1
444	45924	S	Spring	1
446	26133	NBR	O-Ring, Body - 80D	1
460	107681	BB	Fitting, Discharge (3/8" NPTM)	1

### Unloader Repair Kit

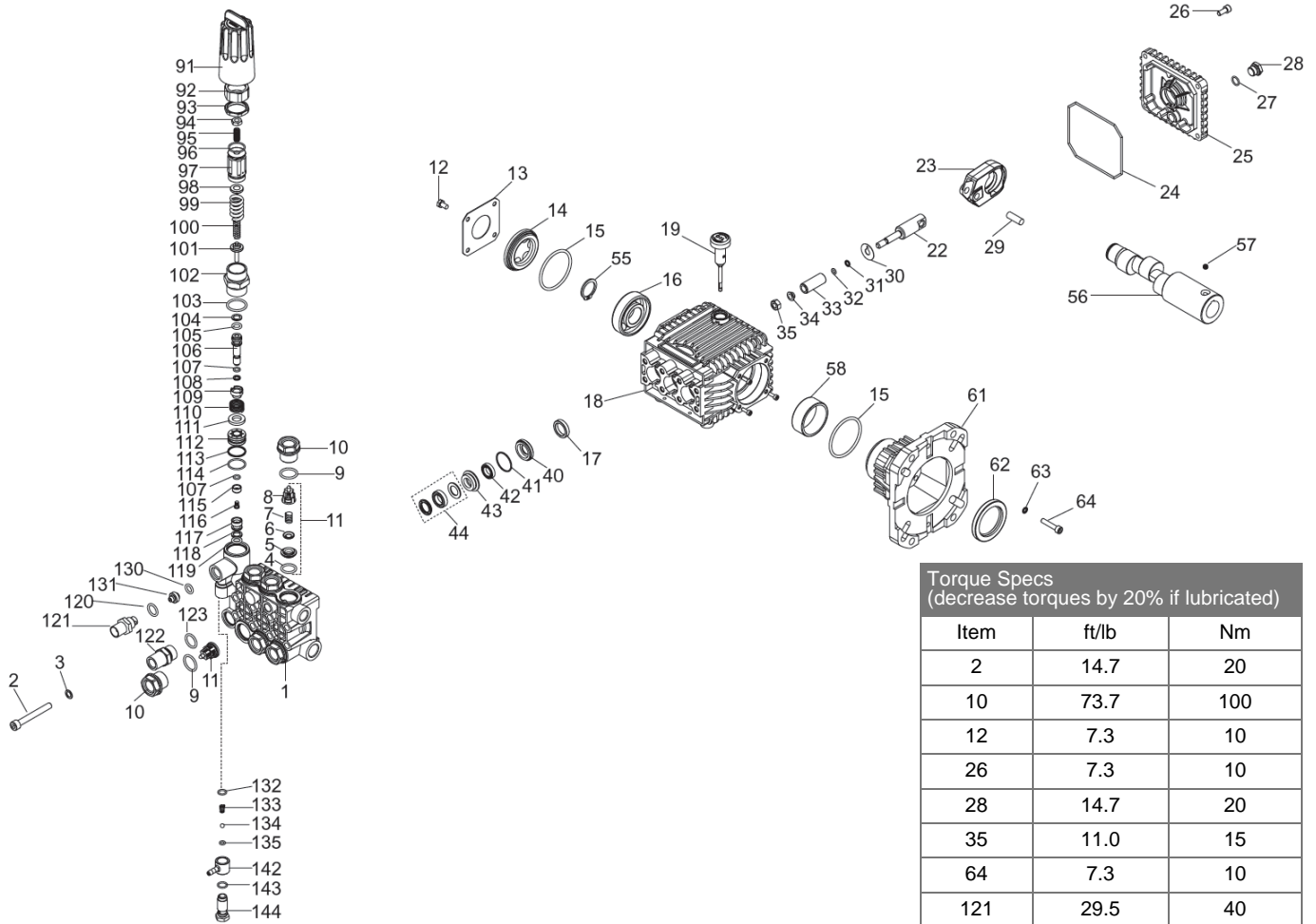
Kit No.	31465
Items included	412, 414, 415, 423, 424, 425, 426, 428, 429, 435
Pc in Kit	10



# AUSSIE SPARES DIAGRAM & PARTS LIST

AUSSIE SLOW SPEED ENGINE DRIVE BLASTERS: AB22CA  
AB32G  
AB42G

## AB32G & AB42G Only



Torque Specs (decrease torques by 20% if lubricated)		
Item	ft/lb	Nm
2	14.7	20
10	73.7	100
12	7.3	10
26	7.3	10
28	14.7	20
35	11.0	15
64	7.3	10
121	29.5	40
122	29.5	40

## PARTS LIST

ITEM	PART NO.	DESCRIPTION	KIT NO.	QTY.	ITEM	PART NO.	DESCRIPTION	KIT NO.	QTY.	ITEM	PART NO.	DESCRIPTION	KIT NO.	QTY.
1.	63120041	Manifold, 15 mm		1	22.	63050066	Plunger Guide		3	45.	98210000	Plug, 3/8" G		1
2.	99319200	Screw, M8 x 65		8	23.	63030022	Connecting Rod		3	46.	98217600	Plug, 1/2" G		1
3.	96701400	Lockwasher, M8.4		8	24.	90392000	O-ring, Cover		1	47.	96738000	Washer, M17.5		1
4.	90384100	O-ring	123	6	25.	63160022	Rear Crankcase Cover		1	48.	96751400	Washer, M21.5		1
5.	36200366	Valve Seat	123	6	26.	99183700	Screw, M6 x 14		4	49.	63210051	Oil Level Indicator		1
6.	36200176	Valve Plate	123	6	27.	701013	O-ring		1	50.	90405100	O-ring		1
7.	94737600	Spring	123	6	28.	98204100	Plug, 1/4" G		2	79.	90063500	Retaining Ring		1
8.	36202551	Valve Cage	123	6	29.	97733500	Connecting Rod Pin		3	80.	63027765	Crankshaft, 6.5		1
9.	90384700	O-ring	124	6	30.	96707500	Flinger Washer		3		63028065	Crankshaft, 8		1
10.	98222600	Valve Cap	124	6	31.	660024	Anti-extrusion Ring		3		63028465	Crankshaft, 10		1
11.	36711501	Valve Assembly	123	6	32.	701009	O-ring		3	81.	99179000	Screw, M6x6		1
12.	99180700	Screw, M6 x 10		8	33.	52040009	Ceramic Plunger, 15mm		3	82.	91856800	Roller Bearing		1
13.	50150074	Bearing Cover		2	34.	44211570	Bushing		3	83.	99334500	Screw, 3/8 x 1"		4
14.	44211801	Oil Level Indicator		1	35.	92221600	Nut, M8		3	84.	96710400	Washer		4
15.	90409700	O-ring		1	40.	63080070	Seal Retn'r, 15mm	162,166	3	85.	10051822	Flange, 1", Gas Engine		1
16.	91832900	Ball Bearing		2	41.	90360800	O-ring	166,167	3	86.	9016900	Oil Seal		1
17.	90159500	Oil Seal	159	3	42.	90260800	Seal, LP,15mm	160,166	3	87.	96693800	Washer		4
18.	63010022	Crankcase		1	43.	63216070	Int. Ring,15mm	164,166	3	88.	99191200	Screw, M6 x 30		4
19.	98210300	Oil Dip Stick		1	44.	90261200	Packing Assy,15mm	160,166	3					

### Repair Kits

Kit No.	K123 (valve kit)	K159 (oil seal kit)	K160 (minor seal kit)	K166 (major seal kit)	K236 (unloader kit)	K237 (detergent injector kit)
Items included	4-8 (11)	17	42,44	40-44	91-119	132-144
Pc in Kit	6	3	3	1	1	1